

Manual de Despiece 

Parts Book 

TRS RAGA RACING 

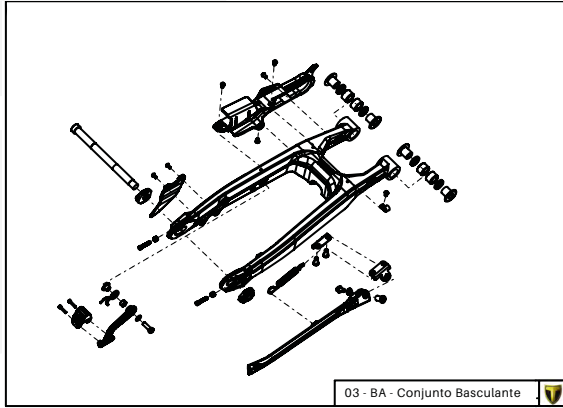
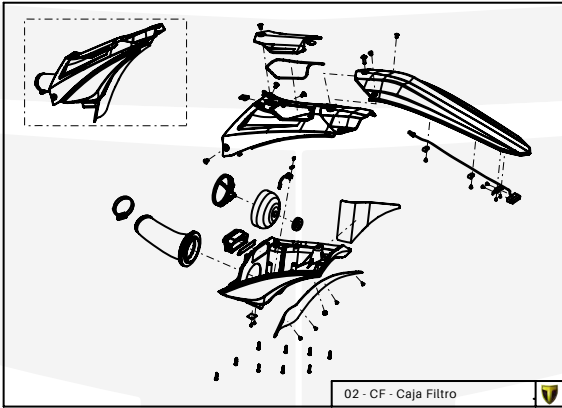
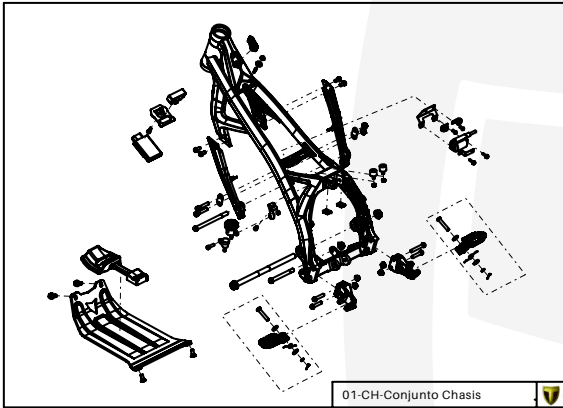
250-280-300
2018



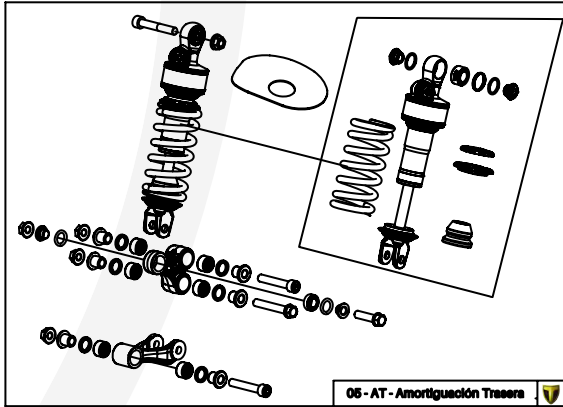
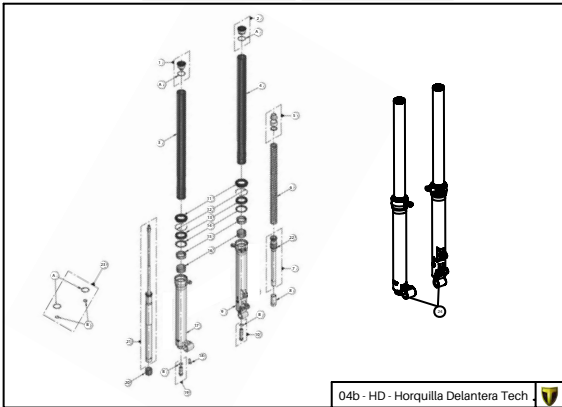
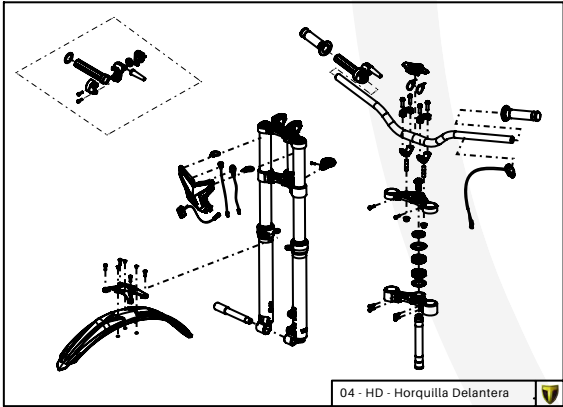
TRS
MOTORCYCLES

Despiece TRRS Raga Racing 2018

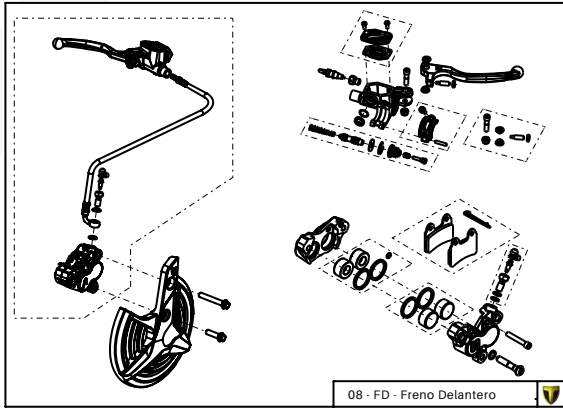
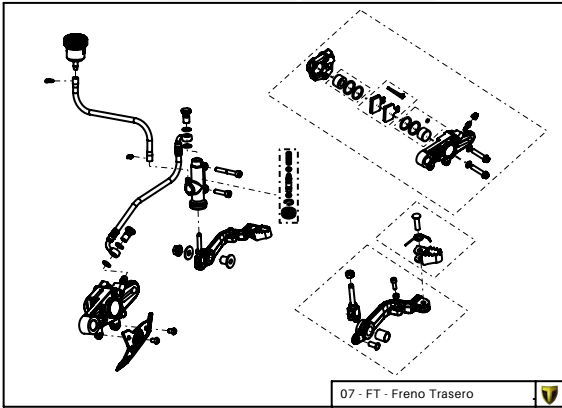
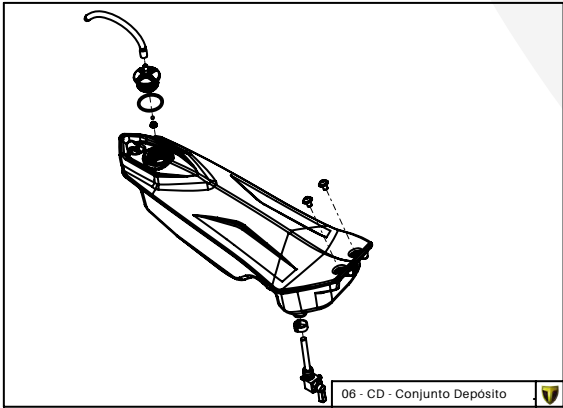
D



C



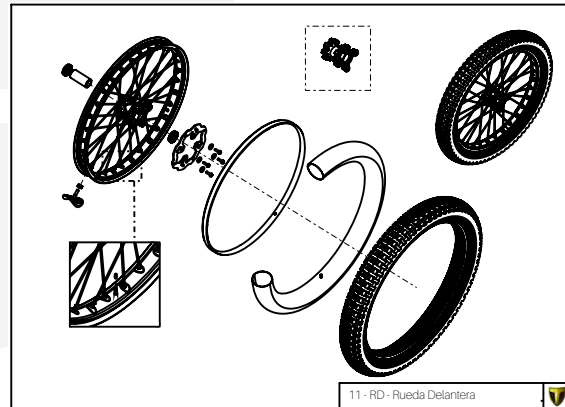
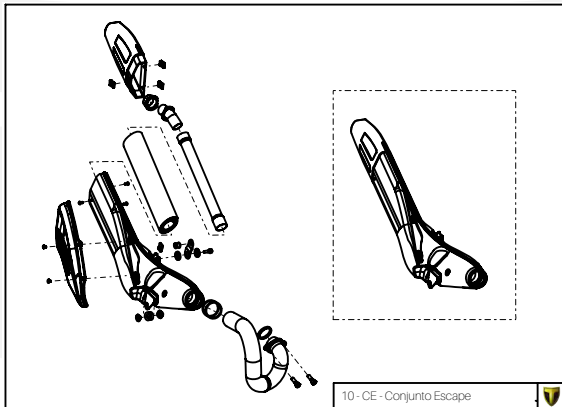
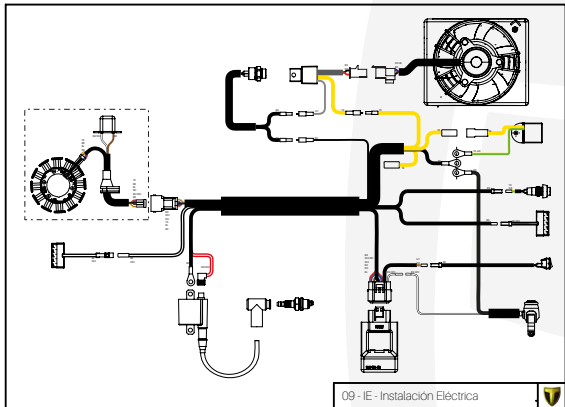
B



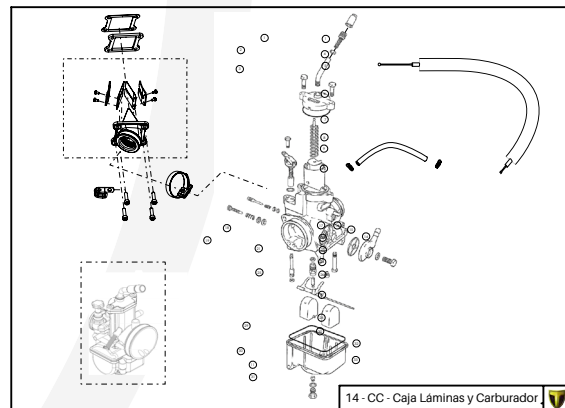
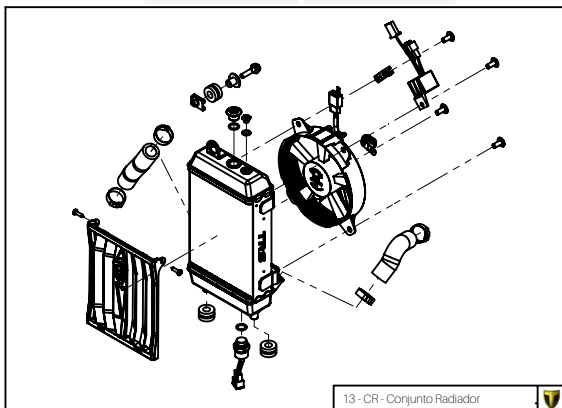
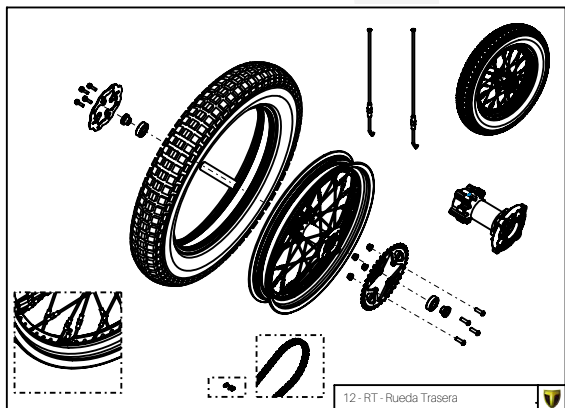
A

Despiece TRRS Raga Racing 2018

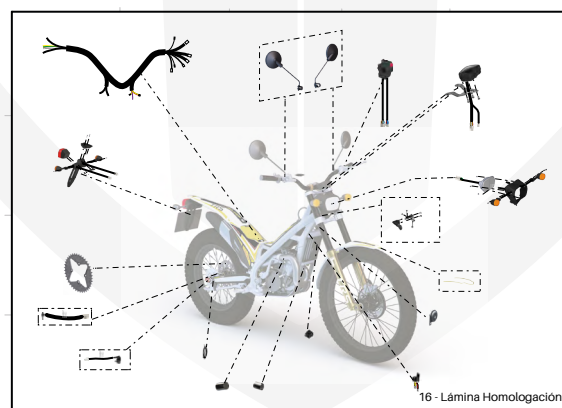
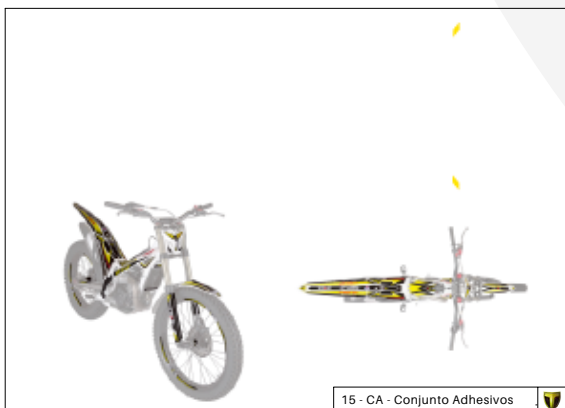
D



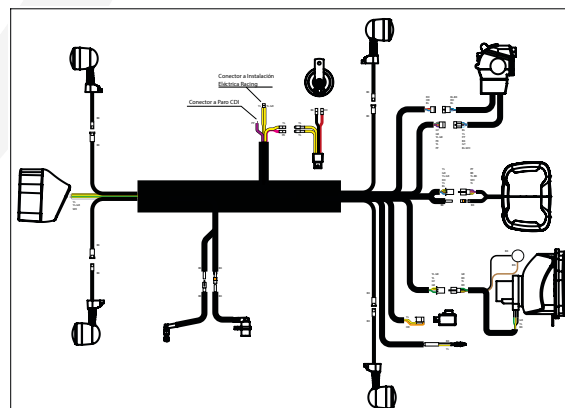
C



B

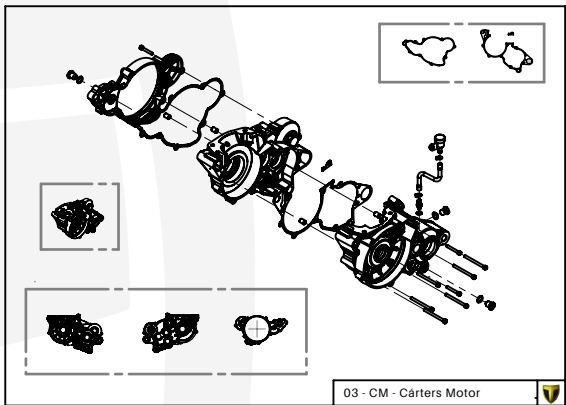
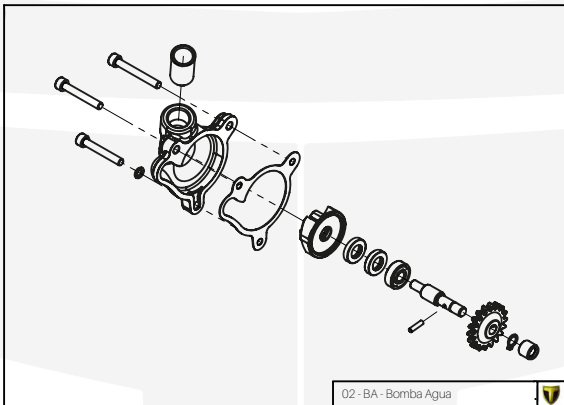
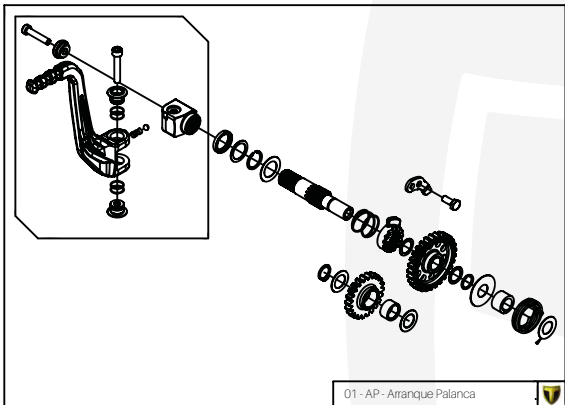


A

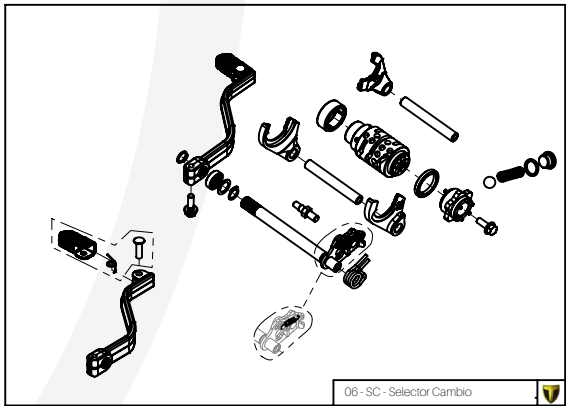
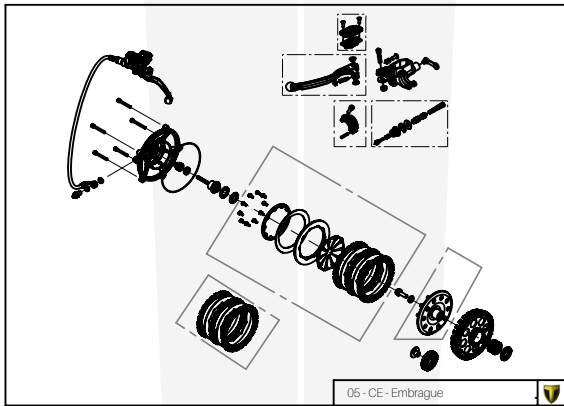
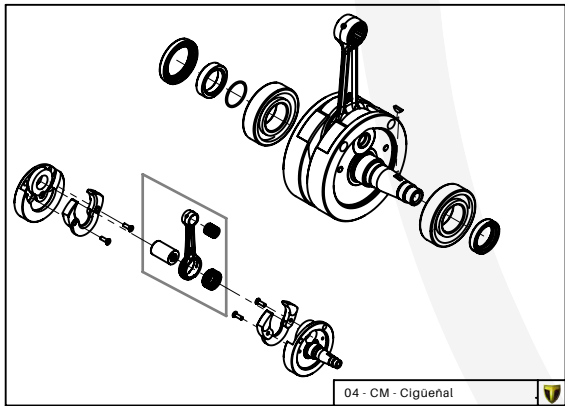


Despiece TRRS Raga Racing 2018

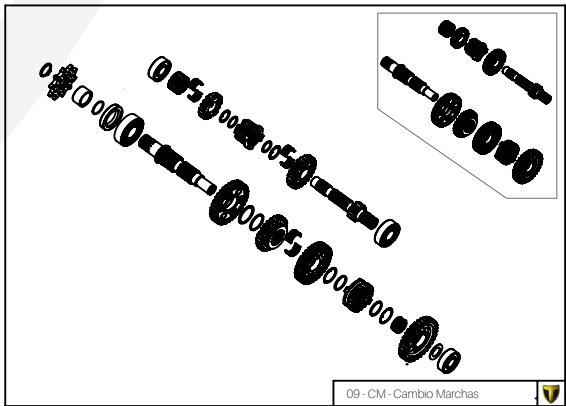
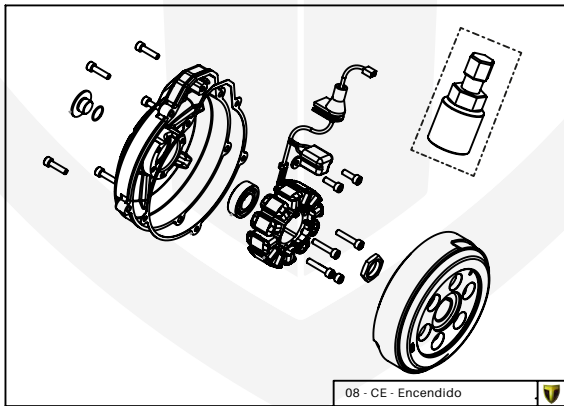
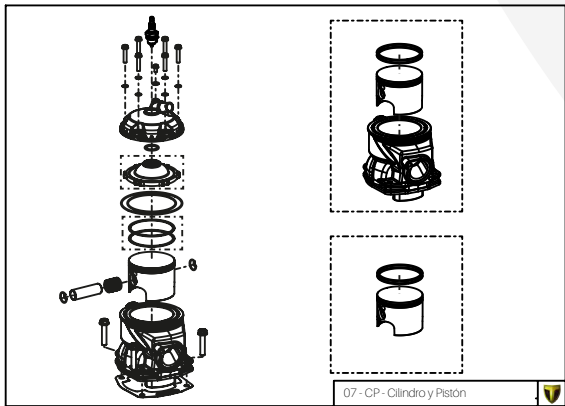
D



C



B



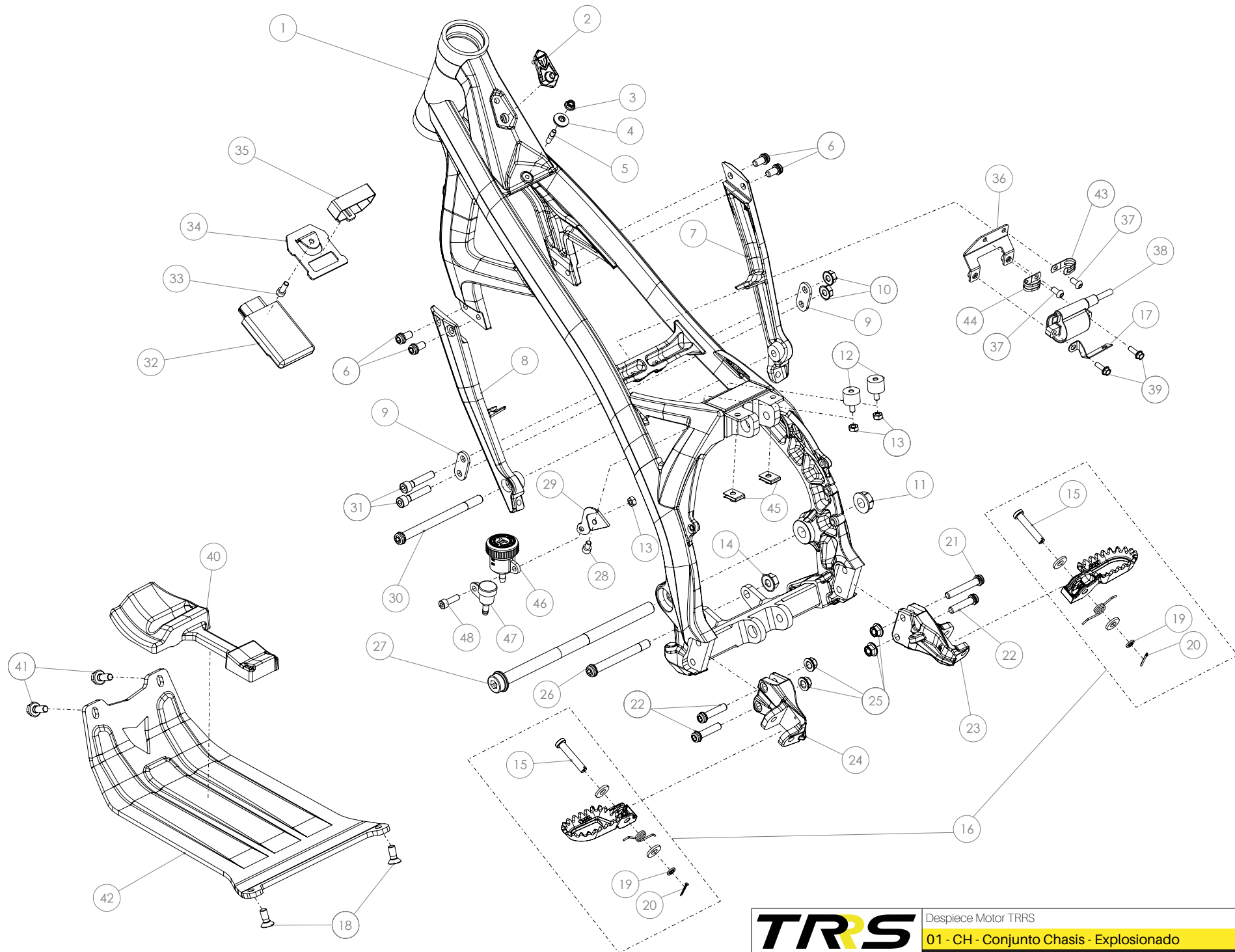
A

D

C

B

A



Despiece TRRS Raga Racing 2018

01 - CH - Conjunto Chasis - Listado de Piezas

| Nº | Código | Descripción | Description | Cantidad |
|----|-------------------|--|--|----------|
| 01 | 01001TR101 | Conjunto Chasis Pintado Blanco | <i>Chassis Assembly, White Paint</i> | 1 |
| 02 | 01002TR100 | Pasamuro Tubo Desvaporizador | <i>Vent hose connection plate</i> | 1 |
| 03 | 51501 | Tuerca Autoblocante M6 - Depósito | <i>Locknut, M6 fuel tank</i> | 1 |
| 04 | 56901 | Arandela Metal - Goma Depósito Gasolina | <i>Washer, rubber-metal, fuel tank</i> | 1 |
| 05 | 01003TR100 | Esparrago Roscado M6 Depósito Gasolina | <i>Fuel tank mounting stud, M6</i> | 1 |
| 06 | 50801 | Tornillo Allen DIN 7984 M8X14mm - Brazos Chasis | <i>Allen, DIN7984 8x14mm - Chassis brace</i> | 4 |
| 07 | 01004TR101 | Brazo Derecho Chasis Blanco | <i>White Chassis brace, right</i> | 1 |
| 08 | 01005TR101 | Brazo Izquierdo Chasis Blanco | <i>White Chassis brace. Left</i> | 1 |
| 09 | 01006TR100 | Soporte motor | <i>Engine brac</i> | 2 |
| 10 | 51502 | Tuerca Autoblocante M8 | <i>Nut. locking type, M8 engine</i> | 2 |
| 11 | 01007TR100 | Tuerca Eje Basculante | <i>Nut, swing-arm shaft</i> | 1 |
| 12 | 63001 | Silentblock M6 20x15 - Chasis Depósito | <i>Silentblock, (isolator) M6 20x15 - Chassis to fuel tank</i> | 2 |
| 13 | 51501 | Tuerca Autoblocante M6 - Silentblock | <i>Locknut, M6, Silentblock</i> | 3 |
| 14 | 51503 | Tuerca Autoblocante M10x1,25 - Tornillo Inferior Motor | <i>Locknut, M10x1.25 - Lower engine bolt</i> | 1 |
| 15 | 01008TR100 | Eje Pasador Estribo | <i>Footrest pivot shaft</i> | 2 |
| 16 | 70116 | Conjunto Estriberas Aluminio Negras | <i>Footrest set, complete , Black Paint</i> | 1 |
| 17 | 01009TR100 | Chapa Soporte Conector Encendido | <i>Support plate, ignition connector</i> | 1 |
| 18 | 50301 | Tornillo DIN 7991 M8x16 - Placa Carter Inferior | <i>Bolt, DIN 7991 M8x16</i> | 2 |
| 19 | 56303 | Arandela M8 - Pasador Estribo | <i>Washer M8, footrest pivot</i> | 2 |
| 20 | 64001 | Pasador DIN 94 1,8x18 - Eje Estribo | <i>Cotter-pin, DIN 94 1,8x18 - footrest shaft</i> | 2 |
| 21 | 50803 | Tornillo Allen DIN 7984 M8X55 - Soporte Estribos - Palanca Freno | <i>Allen bolt, DIN 7984 M8x55 - footrest support plate-brake pedal</i> | 1 |
| 22 | 50802 | Tornillo Allen DIN 7984 M8X35 - Soporte Estribos | <i>Allen bolt, DIN 7984 M8x35 - footrest support</i> | 3 |
| 23 | 01010TR100 | Soporte Estribera - Derecha | <i>Support, footrest, right</i> | 1 |
| 24 | 01011TR100 | Soporte Estribera - Izquierda | <i>Support, footrest, left</i> | 1 |
| 25 | 51502 | Tuerca Autoblocante M8 - Soporte Estribos | <i>locknut, M8 - footrest support</i> | 4 |
| 26 | 50105 | Tornillo DIN 912 M10x90x1,25 - Inferior Motor | <i>Bolt, DIN 912 M10x90x1.25 - engine lower</i> | 1 |
| 27 | 01012TR100 | Eje Basculante | <i>Swingarm pivot shaft</i> | 1 |
| 28 | 50101 | Tornillo DIN 912 M6x10 - Soporte Depósito Aceite Freno | <i>Bolt, DIN 912 M6x10 - Support, brake fluid reservoir</i> | 1 |
| 29 | 01013TR100 | Chapa Depósito Freno Trasero | <i>Support, rear brake fluid reservoir</i> | 1 |



Despiece TRRS Raga Racing 2018

01 - CH - Conjunto Chasis - Listado de Piezas

| Nº | Código | Descripción | Description | Cantidad |
|----|-------------------|--|---|----------|
| 30 | 50102 | Tornillo DIN 912 M10x130 - Superior Motor | <i>Bolt, DIN 912 M10x130 - Engine upper</i> | 1 |
| 31 | 50901 | Tornillo DIN 6921 M8x40 - Soporte Culata | <i>Bolt, DIN 6921 M8x40 - Cylinder head support</i> | 2 |
| 32 | 70206 | Caja CDI - (véase (07) en la lámina 09-IE-Instalación Eléctrica) | <i>CDI (black box) - (see (07) in 09-EI-Electrical Installation sheet)</i> | 1 |
| 33 | 50104 | Tornillo DIN 912 M6x20 - Soporte Chapa CDI | <i>Bolt, DIN 912 M6x20 - CDI mounting plate</i> | 1 |
| 34 | 01014TR100 | Chapa Soporte CDI | <i>CDI mounting plate</i> | 1 |
| 35 | 58012 | Velcro CDI | <i>CDI hook and loop fastening strap</i> | 1 |
| 36 | 01015TR100 | Chapa Soporte Bobina | <i>Mounting plate, ignition coil</i> | 1 |
| 37 | 50902 | Tornillo DIN 6921 M6x10 Soporte Bobina Chasis | <i>Bolt, DIN 6921 M6x10, ignition coil mounting plate to chassis</i> | 2 |
| 38 | 70203 | Bobina TRS - (véase (04) en la lámina 09-IE-Instalación Eléctrica) | <i>Ignition coil, TRS - (see (04) in 09-EI-Electrical Installation sheet)</i> | 1 |
| 39 | 50903 | Tornillo DIN 6921 M6x16 - Bobina | <i>Bolt, DIN 6921 M6x16, Coil mount</i> | 2 |
| 40 | 01016TR100 | Goma Protector Carter TRS | <i>Engine crankcase rubber protection block</i> | 1 |
| 41 | 50904 | Tornillo DIN 6921 M8x16 - Placa Carter Superior | <i>Bolt, DIN 6921 M8x16 - Engine protector plate, front</i> | 2 |
| 42 | 01019TR100 | Protector Carter con estrías | <i>Engine Protector Plate (Sump Protector), with grooves</i> | 1 |
| 43 | 58001 | Abrazadera para Cableado 60mm | <i>Clamp for cables, 60mm</i> | 1 |
| 44 | 58002 | Abrazadera para Cableado 100mm | <i>Clamp for cables, 100mm</i> | 1 |
| 45 | 51301 | Tuerca Rápida Universal M6 | <i>Universal clip-nut, M6</i> | 2 |
| 46 | 70302 | Depósito Freno Trasero | <i>Reservoir, rear brake</i> | 1 |
| 47 | 01018TR100 | Depósito Desvaporizador | <i>Reservoir, ventilator</i> | 1 |
| 48 | 50909 | Tornillo DIN 6921 M6x20 | <i>Bolt, Allen, M6x20 6921 DIN</i> | 1 |



Despiece TRRS Raga Racing 2018

02 - CF - Caja Filtro - Listado de Piezas

| Nº | Código | Descripción | Description | Cantidad |
|----|------------|---|--|----------|
| 1 | 50302 | Tornillo DIN 7991 M6x14 - Caja Filtro | Bolt, DIN 7991 M6x14 - air filter box | 5 |
| 2 | 02001TR100 | Tapa Superior - Caja Filtro | Top cover - air filter box | 1 |
| 3 | 02002TR100 | Tórica 3mm Tapa - Caja Filtro | Cover o-ring, 3mm - air filter box | 1 |
| 4 | 65001 | Remache Plástico 6x12 | Plastic rivot 6x12 | 2 |
| 5 | 50202 | Tornillo DIN 7380-fl M6x16 - Guardabarros Trasero | Bolt, DIN 7380-fl M6x16 - Rear mudguard (fender) | 1 |
| 6 | 02003TR100 | Guardabarros Trasero | Rear mudguard (fender) | 1 |
| 7 | 70202 | Led Trasero - (véase (03) en la lámina 09-IE-Instalación Eléctrica) | LED light TRS - see number 3, drawing 09 - Electrical | 1 |
| 8 | 50601 | Tornillo Rosca Chapa DIN 7981 2,9x6,5 | Screw, course thread DIN 7981 2.9x6,5 | 4 |
| 9 | 02004TR100 | Chapa Led Trasero | Plate LED lights | 1 |
| 10 | 50602 | Tornillo Rosca Chapa DIN 7981 3,9x9,5 | Screw, course thread DIN 7981 3,9x9,5 | 2 |
| 11 | 58004 | Grapa Plástico 4.8mm | Plastic clamp 4.8mm | 2 |
| 12 | 02005TR100 | Caja Filtro Superior | Air filter box, top segment | 1 |
| 13 | 02006TR100 | Jaula Espuma - Filtro | Cage, air filter element | 1 |
| 14 | 02007TR100 | Espuma Filtro Aire | Air filter element | 1 |
| 15 | 02008TR100 | Arandela Muelle Filtro | Washer, filter spring | 1 |
| 16 | 02009TR100 | Muelle Fijación Espuma Filtro | Spring, air filter retention | 1 |
| 17 | 02010TR100 | Goma Sujeción Espuma Filtro | Rubber grommet, air filter retention | 1 |
| 18 | 02011TR100 | Protector Anticalórico - Caja Filtro | Heat shield - air filter box | 1 |
| 19 | 02012TR100 | Caja Filtro Inferior | Air filter box, lower segment | 1 |
| 20 | 02013TR100 | Goma Protector - Caja Filtro | Rubber protector, sir filter box | 1 |
| 21 | 50701 | Tornillo Rosca Chapa Philips Ala Ancha 3.9x9.5 Fijación Goma Filtro | Screw, course Philips broad-head 3.9x9.5 attach rubber flap | 6 |
| 22 | 51501 | Tuerca Autoblocante M6 - Caja Filtro | Lock nut, M6 - air filter box | 1 |
| 23 | 50603 | Tornillo Rosca Chapa DIN 7981 3,9x19 Fijación Caja Filtro Inferior | Screw, course thread DIN 7981 3.9x19 Attach air filter box lower | 9 |
| 24 | 02014TR100 | Lámina Desagüe - Caja Filtro | Drain flap, air filter box | 1 |
| 25 | 02015TR100 | Trampilla Entrada Aire - Caja Filtro | Air entry trap - air filter box | 1 |
| 26 | 02016TR100 | Conducto - Caja Filtro | Intake - air filter box | 1 |
| 27 | 02017TR100 | Tobera - Caja Filtro | Intake hose - air filter box | 1 |
| 28 | 58003 | Abrazadera - Norma 40-60 | Clamp - Norma 40-60 | 1 |
| 29 | 51301 | Tuerca Rápida Universal M6 | Universal speed nut M6 | 1 |



Despiece TRRS Raga Racing 2018

02 - CF - Caja Filtro - Listado de Piezas

| Nº | Código | Descripción | Description | Cantidad |
|----|-------------------|--------------------------------------|---|----------|
| 30 | 50604 | Tornillo Rosca Chapa DIN 7981 2x4 | <i>Screw, course thread DIN 7981 2x4</i> | 2 |
| 31 | 02000TR100 | Conjunto Caja Filtro | <i>Complete air filter box assembly</i> | 1 |
| 32 | 50607 | Tornillo Rosca Chapa DIN 7981 4,2x13 | <i>Screw, course thread DIN 7981 4,2x13</i> | 1 |

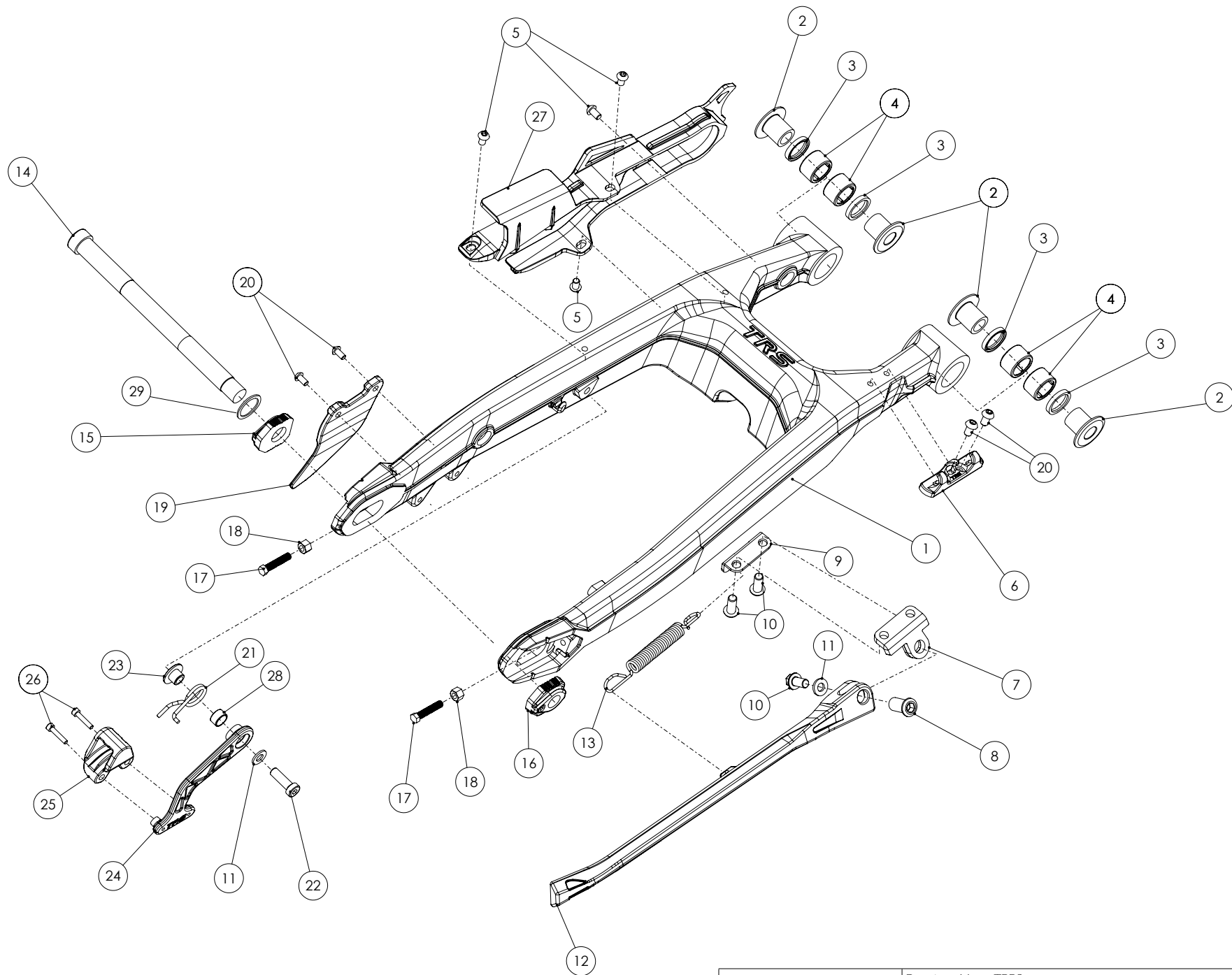


D

C

B

A



Despiece TRRS Raga Racing 2018

03 - BA - Basculante - Listado de Piezas

| Nº | Código | Descripción | Description | Cantidad |
|----|------------|--|--|----------|
| 1 | 03001TR100 | Basculante TRS | Swing-arm TRS | 1 |
| 2 | 03002TR100 | Casquillo Eje Basculante | Bushing, swing-arm shaft | 4 |
| 3 | 54001 | Retén Basculante 20x26x4 | Seal, swing-arm 20x26x4 | 4 |
| 4 | 52501 | Rodamiento Basculante NH-2016 | Bearing, swing-arm NH 2016 | 4 |
| 5 | 50203 | Tornillo DIN 7380-fl M6x10 - Guía Cadena | Bolt, DIN 7380-fl M6x10 - Chain guide | 4 |
| 6 | 03017TR100 | Guía Latiguillo Freno Trasero | Guide, brake hose | 1 |
| 7 | 03003TR100 | Soporte Caballete | Side-stand support | 1 |
| 8 | 03004TR100 | Tornillo - Soporte Caballete | Bolt - side-stand support | 1 |
| 9 | 03005TR100 | Chapa Muelle Caballete | side-stand spring plate | 1 |
| 10 | 50201 | Tornillo DIN 7380 M8x20 | Bolt, DIN 7380 M8x20 | 3 |
| 11 | 56303 | Arandela M8 | Washer, M8 | 2 |
| 12 | 03006TR100 | Caballete | Side-stand | 1 |
| 13 | 03007TR100 | Muelle Caballete | Spring, side-stand | 1 |
| 14 | 03008TR100 | Eje Rueda Trasera | Axle, rear wheel | 1 |
| 15 | 03009TR100 | Tensor Eje Rueda Izquierdo | Tensioner, rear axle left side | 1 |
| 16 | 03010TR100 | Tensor Eje Rueda Derecho | Tensioner, rear axle right side | 1 |
| 17 | 50501 | Tornillo DIN 933 M6 - Tensor Eje Rueda | Bolt, DIN 933 M6 - rear wheel tension | 2 |
| 18 | 51103 | Tuerca DIN 6330 M6 - Tensor Eje Rueda | Bolt, DIN 6330 M6 - rear wheel tension | 2 |
| 19 | 03011TR101 | Protector Corona | Sprocket protector | 1 |
| 20 | 50204 | Tornillo DIN 7380 M6x10 - Protector Corona y Guía Latiguillo Freno Tras. | Bolt, DIN 7380 M6x10 - Sprocket protector and Brake hose Guide | 4 |
| 21 | 03012TR100 | Muelle Tensor Cadena | Chain tension spring | 1 |
| 22 | 50804 | Tornillo DIN 7984 M8x25 | Bolt, DIN 7984 M8x25 | 1 |
| 23 | 03013TR100 | Casquillo Tensor Cadena | Bushing, chain tensioner | 1 |
| 24 | 03014TR100 | Tensor Cadena | Chain tensioner | 1 |
| 25 | 70102 | Goma Tensor | Rubber block, chain tensioner | 1 |
| 26 | 50107 | Tornillo DIN 912 M5x20 - Goma Tensor Cadena | Bolt, DIN 912 M5x20 - Chain tension rubber block | 2 |
| 27 | 03015TR100 | Guía Cadena | Chain guide | 1 |
| 28 | 57001 | Glacier - Tensor Cadena | Bushing - Chain tensioner | 1 |
| 29 | 03016TR100 | Arandela Eje Rueda Trasera 22x17x0,5 | Washer, 22x17x0,5 | 1 |

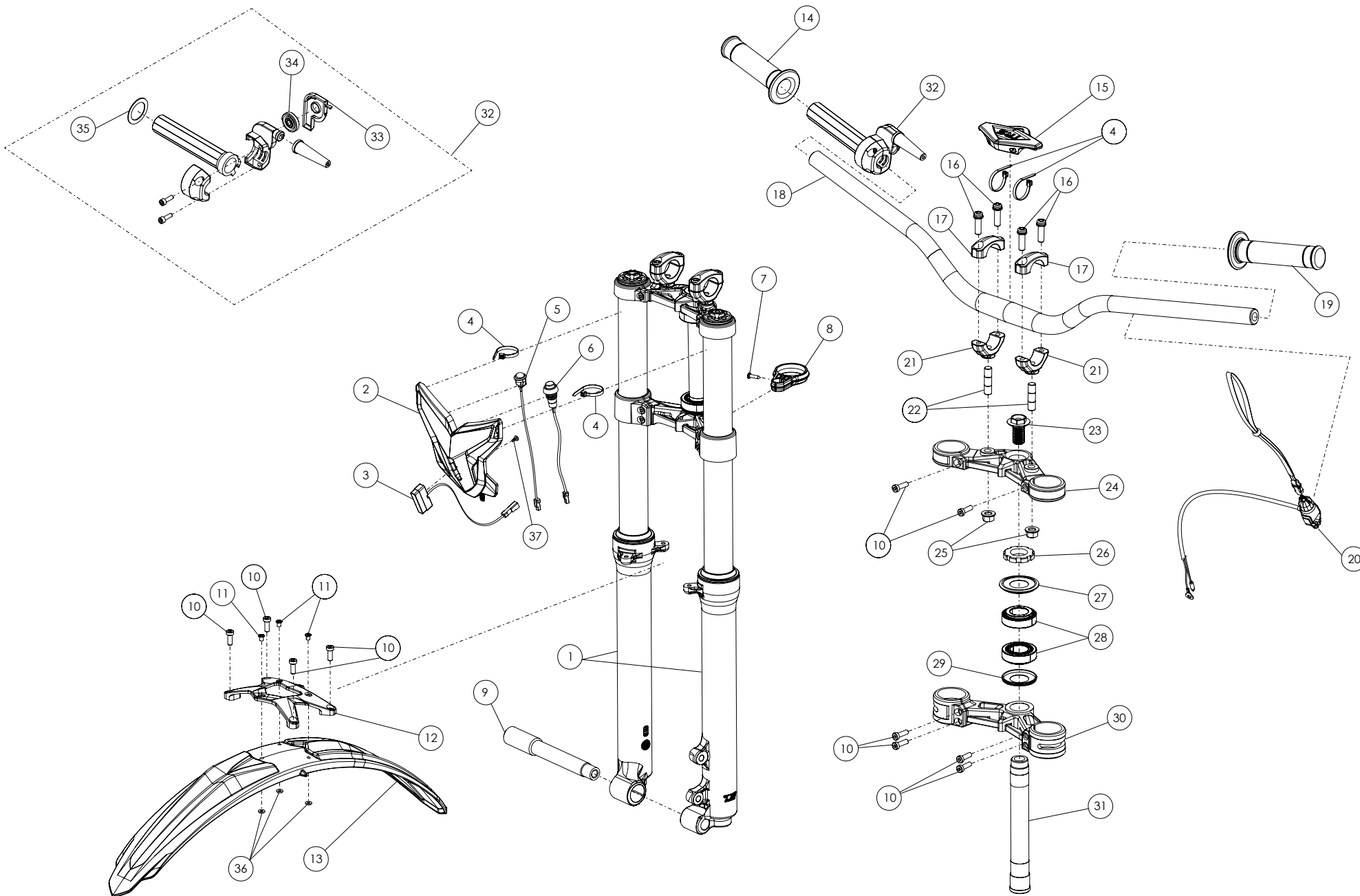


D

C

B

A



Despiece TRRS Raga Racing 2018

04 - HD - Horquilla Delantera - Listado de Piezas

| Nº | Código | Descripción | Description | Cantidad |
|----|------------|--|---|----------|
| 1 | 4020TR100 | Conjunto Horquilla Delantera Gold | Front suspension Racing, complete | 1 |
| 2 | 04001TR100 | Careta Faro Racing | Headlamp shroud | 1 |
| 3 | 70209 | Led Delantero - (véase (10) en la lámina 09-IE-Instalación Eléctrica) | LED lights, TRS - (see item 10 in drawing 09-IE electrical system) | 1 |
| 4 | 58006 | Brida Plástico 3,6x200 | Plastic retention strap | 4 |
| 5 | 70208 | Interruptor Curva CDI - (véase (09) en la lámina 09-IE-Instalación Eléctrica) | Switch, CDI ignition curve - (see item 09 in drawing 09-IE electrical system) | 1 |
| 6 | 70210 | Pulsador Led - (véase (11) en la lámina 09-IE-Instalación Eléctrica) | Switch, LED lights - (see item 11 in drawing 09-IE electrical system) | 1 |
| 7 | 50608 | Tornillo DIN 7981 PHILIPS 3,9x13 Rosca Chapa Brida Guia Cable | Screw, DIN 7981 PHILIPS 3.9x13 Course Thread for cable guide | 1 |
| 8 | 04002TR100 | Brida Guía Latiguillo Freno | Cable guide, brake hose | 1 |
| 9 | 04003TR100 | Eje Rueda Delantera | Axle, front wheel | 1 |
| 10 | 50805 | Tornillo DIN 912 M6x16 | Bolt, DIN 912 M6x16 | 10 |
| 11 | 65004 | Remache 4,8x12mm - Guardabarros - Negro | Black Rivot, 4.8x12mm Mudguard (Fender) | 3 |
| 12 | 04004TR101 | Soporte Guardabarros Delantero - Negro | Black Support, front mudguard (Fender) | 1 |
| 13 | 04005TR100 | Guardabarros Delantero | Front mudguard (Fender) | 1 |
| 14 | 70103 | Puño Derecho | Hand grip, right side | 1 |
| 15 | 04006TR100 | Goma Protector Manillar | Rubber handlebar protector | 1 |
| 16 | 50806 | Tornillo Allen DIN 912 M8x25 - Bridas Manillar | Bolt, Allen DIN 912 M8x25 - Handlebar clamps | 4 |
| 17 | 04007TR101 | Brida Superior Manillar Negro | Clamp, handlebar upper | 2 |
| 18 | 70120 | Manillar Neken - TRRS | Handlebar NEKEN - TRRS | 1 |
| 19 | 70104 | Puño Izquierdo | Hand grip, left side | 1 |
| 20 | 70229 | Botón Paro Racing, Hombre al Agua - (véase (20) en lámina 09-IE-Instalación Eléctrica) | Stop button - (see item 20 in drawing 09-IE electrical system) | 1 |
| 21 | 04008TR101 | Brida Inferior Manillar | Clamp, handlebar lower | 2 |
| 22 | 04009TR100 | Eje Brida Manillar | Shaft, handlebar clamp | 2 |
| 23 | 04010TR100 | Tornillo Eje Pipa Dirección | Bolt, steering stem (shaft) | 1 |
| 24 | 04017TR100 | Pletina Superior Suspensión Mecanizada Negra | Suspension triple-tree, upper | 1 |
| 25 | 51503 | Tuerca Autoblocante M10 - Eje Brida Manillar | Nut, self locking M10 - handlebar clamp base | 2 |
| 26 | 04012TR100 | Tuerca Pipa Dirección | Nut, steering stem (shaft) | 1 |
| 27 | 04013TR100 | Guardapolvos Superior | Dust cover, upper | 1 |
| 28 | 52401 | Rodamiento 25-47-15 | Bearing, 25-47-15 | 2 |



Despiece TRRS Raga Racing 2018

04 - HD - Horquilla Delantera - Listado de Piezas

| Nº | Código | Descripción | Description | Cantidad |
|----|-------------------|--|-----------------------------------|----------|
| 29 | 04014TR100 | Guardapolvos Inferior | Dust cover, lower | 1 |
| 30 | 04018TR100 | Pletina Inferior Suspensión Mecanizada Negra | Suspension triple-tree, lower | 1 |
| 31 | 04016TR100 | Eje Pipa Dirección | Steering stem (shaft) | 1 |
| 32 | 70105 | Mando Gas | Throttle handle assembly | 1 |
| 33 | 70106 | Tapa Mando Gas | Cap, throttle cable wheel | 1 |
| 34 | 70107 | Rodillo Mando Gas | Cable wheel, throttle | 1 |
| 35 | 70108 | Arandela Mando Gas | Washer, throttle grip | 1 |
| 36 | 56301 | Arandela M5 DIN 125 | Washer, M5 DIN 125 | 3 |
| 37 | 50604 | Tornillo Rosca Chapa DIN 7981 2x4 | Screw, course thread DIN 7981 2x4 | 2 |

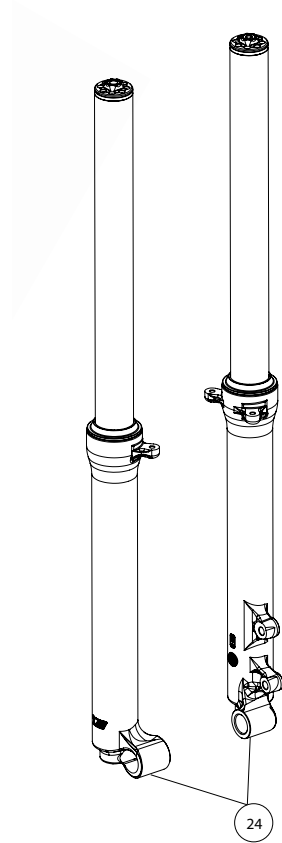
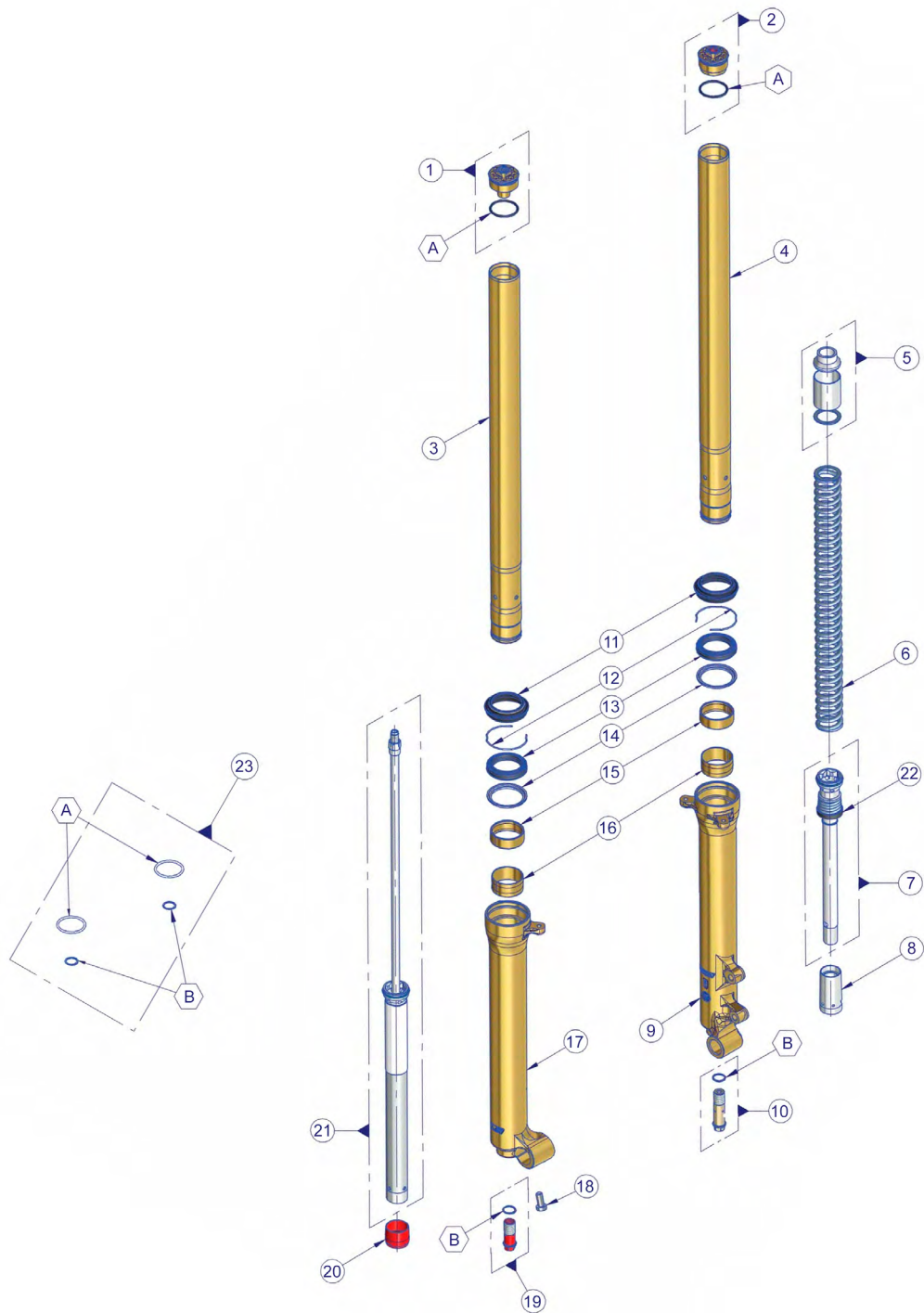


D

C

B

A



Despiece TRRS Raga Racing 2018

04b - HD - Horquilla Delantera Tech - Listado de Piezas

| Nº | Código | Descripción | Description | Cantidad |
|----|--------|--|-----------------------------------|----------|
| 35 | 70108 | Arandela Mando Gas | Washer, throttle grip | 1 |
| 37 | 50604 | Tornillo Rosca Chapa DIN 7981 2x4 | Screw, course thread DIN 7981 2x4 | 2 |
| 0 | 71002 | Cto.Tapon Regulacion Precarga Muelle-Grop Top Cap Preload Spring | Group, Top Cap Preload Spring | 1 |
| 0 | 71024 | Barra Suspension Derecha-Group Stanchion Tube Replay Right | Stanchion Tube, Right side | 1 |
| 0 | 71004 | Barra Suspension Izquierda-Group Stanchion Tube Replay Left | Stanchion Tube, Left side | 1 |
| 0 | 71005 | Cto. Distanciadores Muelle-Group Spacers Spring | Group, Spring spacers | 1 |
| 0 | 71006 | Muelle Horquilla-Fork Spring (Progr. 1) | Fork Spring | 1 |
| 6 | 71034 | Muelle Horquilla-Fork Spring (Progr. 3) | Fork Spring | 1 |
| 0 | 71008 | Cono Limitador Izquierdo-Cone Limit Left | Alignment cone, Left | 1 |
| 8 | 71036 | Cono Limitador Izquierdo-Cone Limit Left | Alignment cone, Left | 1 |
| 0 | 71027 | Botella Suspension Izquierda-Left Leg | Lower Leg, left | 1 |
| 9 | 71037 | Botella Suspension Izquierda-Left Leg | Lower Leg, left | 1 |
| 10 | 71010 | Cto.Tornillo Regulacion-Needle Regulation Group | Needle and Regulation Group | 1 |
| 0 | 71011 | Guardapolvo Horquilla-Dust Seal | Dust Seal | 2 |
| 11 | 71038 | Guardapolvo Horquilla-Dust Seal | Dust Seal | 2 |
| 12 | 71012 | Circlip Tope Reten-Ring Stopper Oil Seal | Oil Seal retention clip | 2 |
| 14 | 71014 | Anillo Tope Glacier-Ring Stop Bushing Oil Seal | Bushing stop ring | 2 |
| 15 | 71015 | Glacier Barra Horquilla-Bush Du Ø39XØ43X15 | Bushing Du Ø39XØ43X15 | 2 |
| 0 | 71017 | Botella Suspension Derecha-Right Leg | Lower leg, Right | 1 |
| 18 | 71018 | Tornillo Allen-Screw Tceib M8X18 Din 7984 | Bolt, Allen M8X18 Din 7984 | 1 |
| 0 | 71020 | Cono Limitador Derecho-Cone Limit Right | Alignment cone, | 1 |
| 0 | 71021 | Cartucho Hidraulico-Group Cartridge | Group, Cartridge | 1 |
| 21 | 71042 | Cartucho Hidraulico-Group Cartridge | Group, Cartridge | 1 |
| 0 | 71023 | Kit Toricas-Group Rings Seal | O-ring kit | 1 |

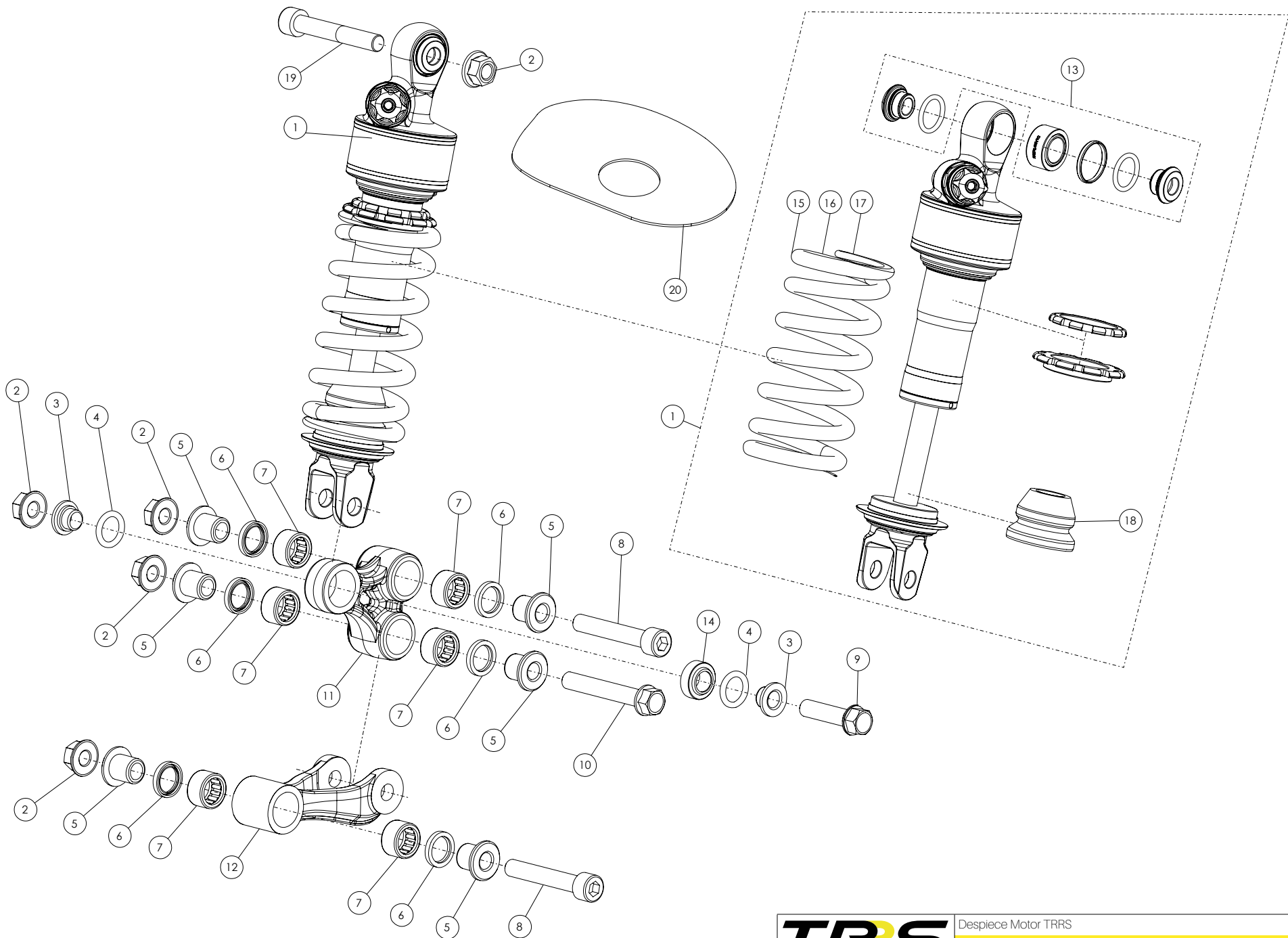


D

C

B

A



Despiece TRRS Raga Racing 2018

05 - AT - Amortiguación Trasera - Listado de Piezas

| Nº | Código | Descripción | Description | Cantidad |
|----|-------------------|---|---|----------|
| 1 | 05007TR100 | Amortiguador Reiger | <i>Shock absorber Reiger</i> | 1 |
| 2 | 51503 | Tuerca Autoblocante M10x1.25 | <i>Nut, self locking M10x1.25</i> | 5 |
| 3 | 70501 | Casquillo Distanciador Trapecio - Amortiguador | <i>Spacer bushing, linkage - Shock absorber</i> | 2 |
| 4 | 53002 | Tórica Trapecio - Amortiguador | <i>O-ring, linkage - Shock absorber</i> | 2 |
| 5 | 05002TR100 | Casquillo Trapecio | <i>Bushing, linkage</i> | 6 |
| 6 | 54002 | Retén 15x21x3 | <i>Seal, 15x21x3</i> | 6 |
| 7 | 52502 | Rodamiento NH-1512 | <i>Bearing, NH 1512</i> | 6 |
| 8 | 50108 | Tornillo DIN 912 M10x60 - 1,25 - Bieleta Chasis | <i>Bolt, DIN 912 M10x60 - 1.25 - linkage arm to chassis</i> | 2 |
| 9 | 50905 | Tornillo DIN 6921 M10x43 - 1,25 - Trapecio Amortiguador | <i>Bolt, DIN 6921 M10x43 - 1.25 - shock linkage</i> | 1 |
| 10 | 50906 | Tornillo DIN 6921 M10x65 - 1,25 - Trapecio Bieleta | <i>Bolt, DIN 6921 M10x65 - 1.25 - shock linkage</i> | 1 |
| 11 | 05003TR100 | Trapecio TRS | <i>Suspension fulcrum TRS</i> | 1 |
| 12 | 05004TR100 | Bieleta | <i>Connecting link</i> | 1 |
| 13 | 70514 | Kit Rótula 10x25, Tóricas y Distanciadores | <i>Heim joint 10x25 (rotary ball), O-rings and Spacers Kit</i> | 1 |
| 14 | 66001 | Rótula Trapecio 12x22x12 | <i>Heim joint (rotary ball) 12x22x12 lower shock absorber</i> | 1 |
| 15 | 70511 | Muelle Amortiguador 70Kg | <i>Spring, shock absorber 70 Kg</i> | 1 |
| 16 | 70512 | Muelle Amortiguador 67,5Kg | <i>Spring, shock absorber 67,5 Kg</i> | 1 |
| 17 | 70513 | Muelle Amortiguador 72,5Kg | <i>Spring, shock absorber 72,5 Kg</i> | 1 |
| 18 | 70515 | Tope Silentblock - Amortiguador Reiger | <i>Bump-stop, Reiger shock absorber</i> | 1 |
| 19 | 50109 | Tornillo DIN 912 M10x65 - Amortiguador - Chasis | <i>Bolt, DIN 912 M10x65 - Shock absorber at chassis</i> | 1 |
| 20 | 05005TR100 | Goma Amortiguador - Caja Filtro | <i>Rubber shock absorber sealing flap - air filter box</i> | 1 |

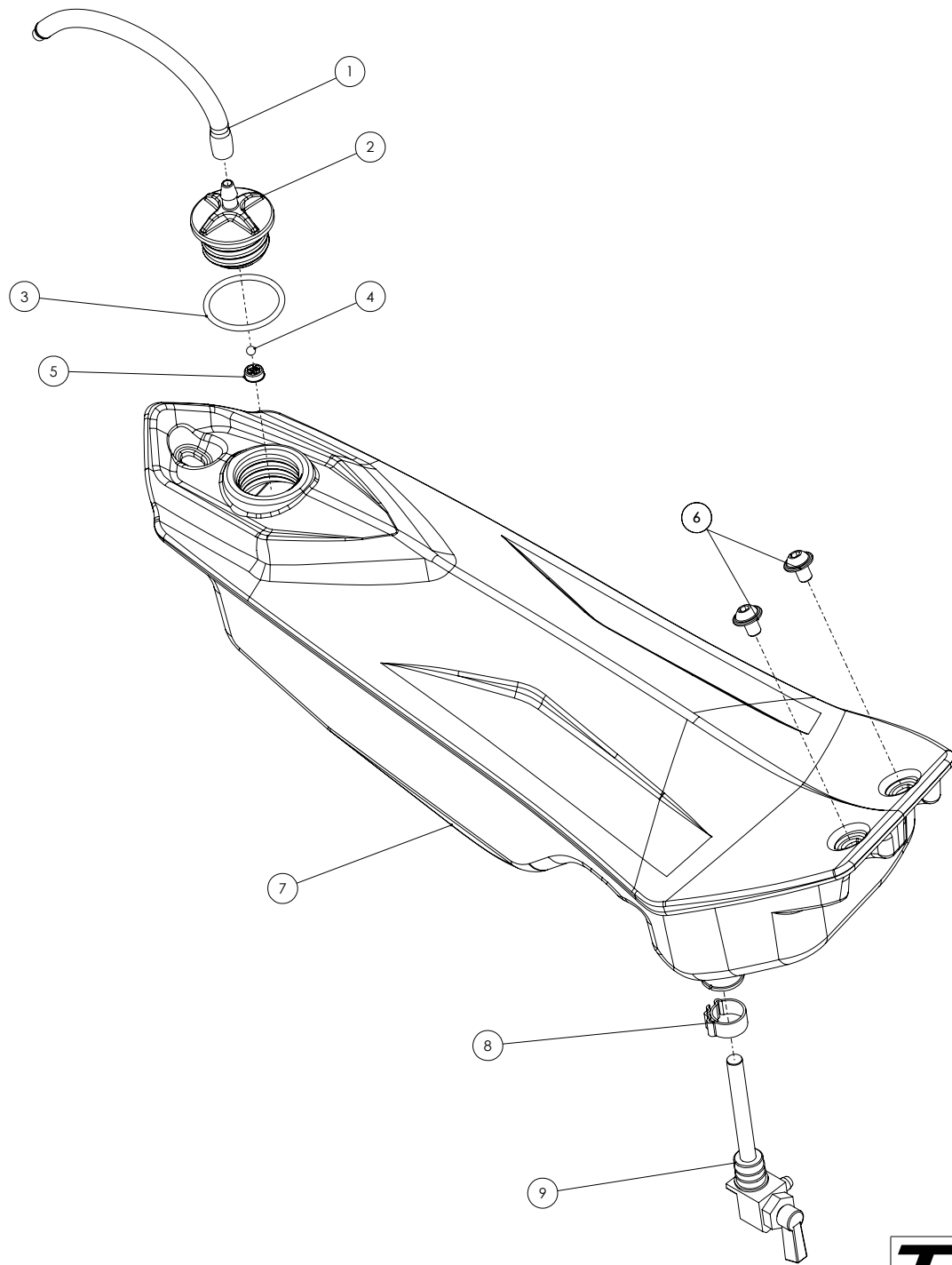


D

C

B

A

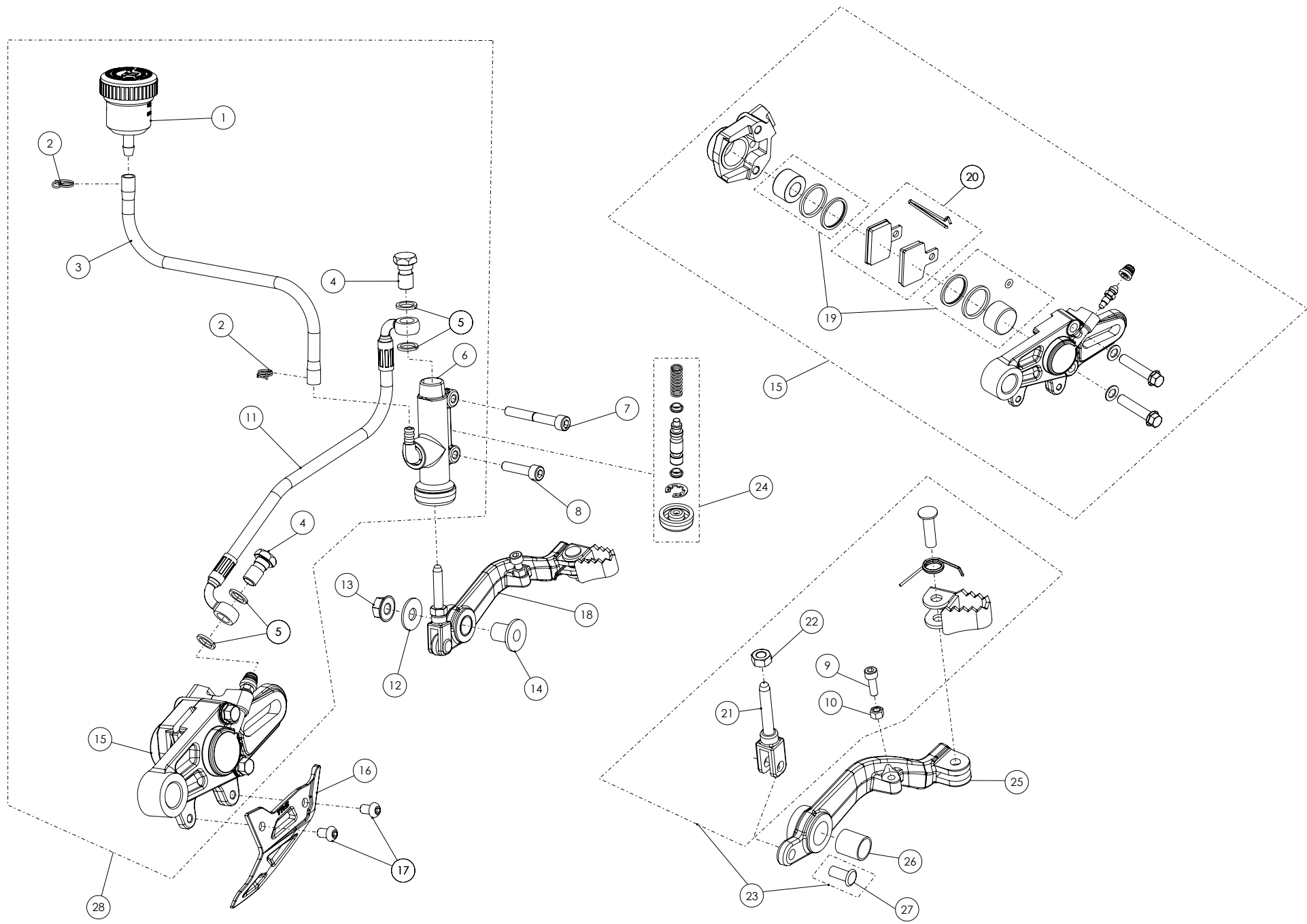


Despiece TRRS Raga Racing 2018

06 - CD - Conjunto Depósito - Listado de Piezas

| Nº | Código | Descripción | Description | Cantidad |
|----|------------|---------------------------------------|-----------------------------------|----------|
| 1 | 62001 | Tubo Desvaporizador Tapón Gasolina | Fuel cap vent hose | 1 |
| 2 | 06001TR100 | Tapón Depósito | Fuel cap | 1 |
| 3 | 53021 | Tórica Tapón Depósito 30X3 | O-ring, fuel cap 30X3 | 1 |
| 4 | 60001 | Bola Válvula Tapón | Check-ball, cap vent | 1 |
| 5 | 06002TR100 | Cierre Válvula Tapón Depósito | Cap, check-ball fuel tank valve | 1 |
| 6 | 50203 | Tornillo DIN 7380-FL M6x10 - Depósito | Bolt, DIN 7380-FL Fuel tank M6x10 | 2 |
| 7 | 06021TR100 | Depósito Gasolina 2018 | Fuel Tank | 1 |
| 8 | 58007 | Abrazadera Cobra 17 | Clamp, Cobra 17 | 1 |
| 9 | 70110 | Grifo Gasolina | Fuel valve (petcock) | 1 |





Despiece TRRS Raga Racing 2018

07 - FT - Freno Trasero - Listado de Piezas

| Nº | Código | Descripción | Description | Cantidad |
|----|------------|---|---|----------|
| 1 | 70302 | Depósito Aceite Freno TRS | Brake fluid reservoir TRS | 1 |
| 2 | 58008 | Clip Tubo Freno | Clip, brake hose | 2 |
| 3 | 70303 | Tubo Freno Trasero | Brake hose, rear | 1 |
| 4 | 70304 | Racord | Banjo bolt | 2 |
| 5 | 56101 | Arandela CU 10x14x1,5 | Washer, CU 10x14x1.5 | 4 |
| 6 | 70305 | Bomba Freno Trasero | Pump, rear brake | 1 |
| 7 | 50103 | Tornillo DIN 912 M6x45 - Bomba Freno - Escape | Bolt, DIN 912 M6x45 - Brake pump - exhaust | 1 |
| 8 | 50110 | Tornillo DIN 912 M6x25 - Bomba Freno Inferior | Bolt, DIN 912 M6x25 - Brake pump - lower | 1 |
| 9 | 50111 | Tornillo DIN 912 M5x15 - Tensor Pedal Freno | Bolt, DIN 912 M5x15 - Brake pedal height adj. | 1 |
| 10 | 51104 | Tuerca DIN 934 M5 Tensor Pedal Freno | Nut, DIN 934 M5 - Brake pedal height adj. | 1 |
| 11 | 70306 | Latiguillo Freno Trasero | Hose, rear brake | 1 |
| 12 | 56304 | Arandela Pedal Freno DIN 9021 M8 | Washer, brake pedal DIN 9021 M8 | 1 |
| 13 | 51502 | Tuerca Autoblocante M8 - Pedal Freno | Nut, self locking M8 - Brake pedal | 1 |
| 14 | 07001TR100 | Casquillo Pedal Freno | Bushing, brake pedal | 1 |
| 15 | 70307 | Conjunto Pinza Freno Trasero | Rear brake caliper, complete | 1 |
| 16 | 07002TR101 | Protector Disco Trasero | Disc protector, rear | 1 |
| 17 | 50204 | Tornillo DIN 7380 M6X10 - Protector Disco Trasero | Bolt, DIN 7380 M6x10 - Rear disc protector | 2 |
| 18 | 07003TR100 | Conjunto Palanca Freno | Brake pedal, complete | 1 |
| 19 | 70309 | Kit Reparación Pinza Trasera | Repair kit, rear caliper | 1 |
| 20 | 70310 | Juego Pastillas Freno Trasero | Brake pad set, rear | 1 |
| 21 | 70311 | Varilla freno conjunto | Push-rod, foot brake lever set | 1 |
| 22 | 51101 | Tuerca DIN 934 M6 - Barilla Freno | Nut | 1 |
| 23 | 70312 | Kit Reparación Puntera Palanca Freno | Repair kit, brake pedal tip | 1 |
| 24 | 70313 | Kit Pistón Bomba Freno | Repair kit, rear brake pump (master cylinder) | 1 |
| 25 | 07004TR100 | Palanca Freno | Brake pedal arm (bare) | 1 |
| 26 | 57003 | Casquillo | Bushing | 1 |
| 27 | 65003 | Remache semitubular 6mm | Compression rivet, 6 | 1 |
| 28 | 70301 | Conjunto freno trasero | Kit, rear brake | 1 |

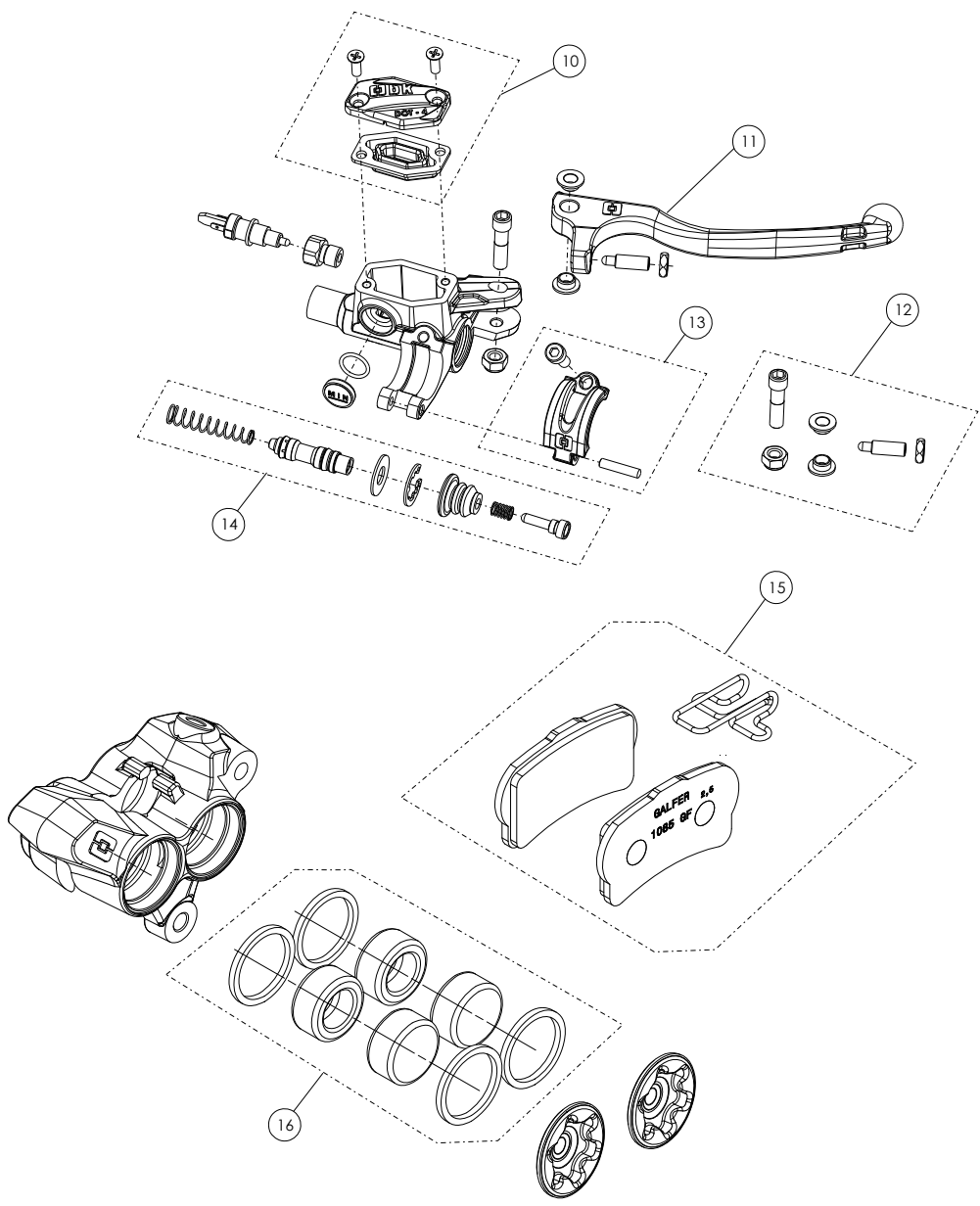
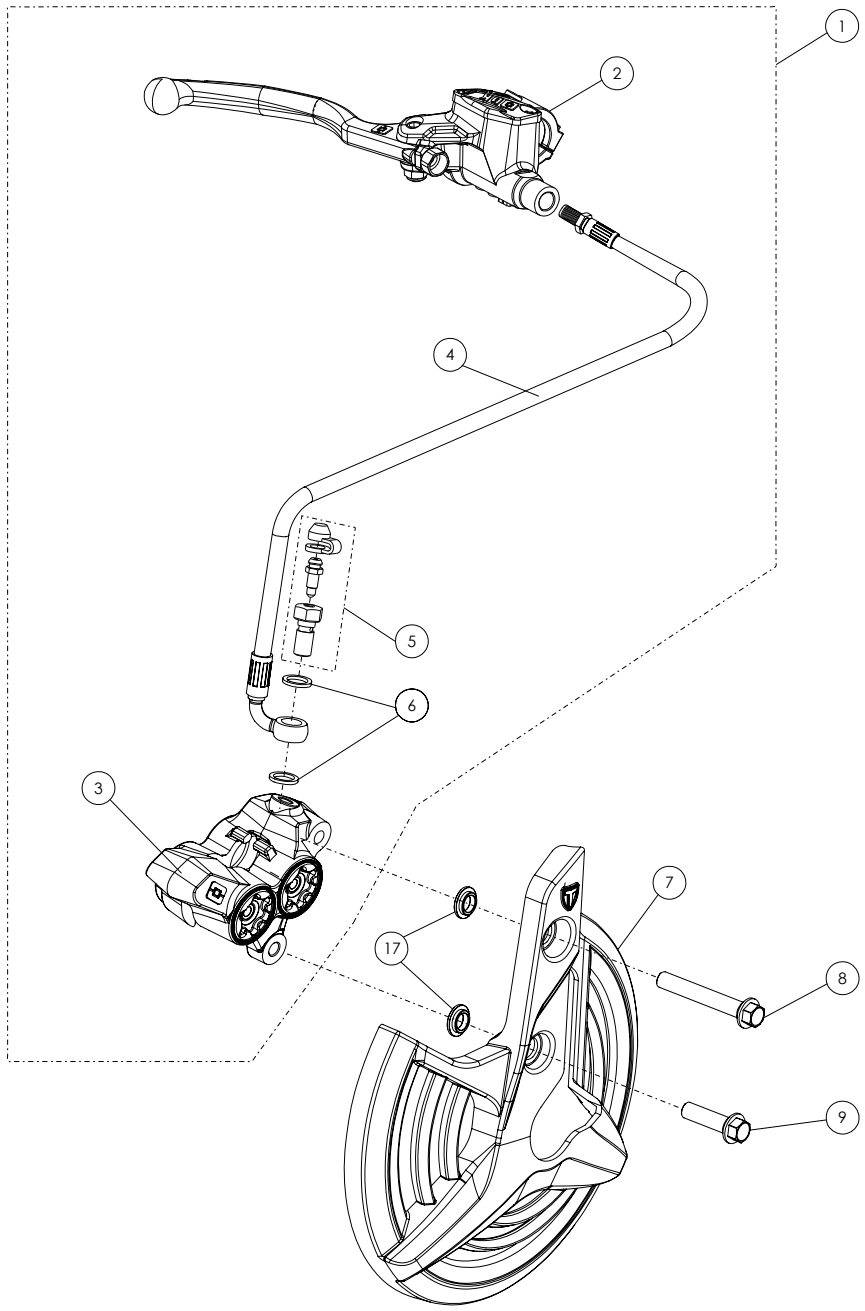


D

C

B

A



Despiece TRRS Raga Racing 2018

08 - FD - Freno Delantero - Listado de Piezas

| Nº | Código | Descripción | Description | Cantidad |
|----|-------------------|--|---|----------|
| 1 | 70366 | Conjunto Freno Delantero Racing | <i>Complete front brake assembly Racing</i> | 1 |
| 2 | 70368 | Bomba Freno Delantero Racing | <i>Pump Racing, front brake (master cylinder)</i> | 1 |
| 3 | 70367 | Pinza Freno Delantero Racing | <i>Caliper Racing, front brake</i> | 1 |
| 4 | 70353 | Latiguillo Freno Delantero | <i>Hose, front brake</i> | 1 |
| 5 | 70354 | Racord + Sangrador | <i>Bajo bolt</i> | 1 |
| 6 | 56101 | Arandela CU 10x14x1,5 | <i>Washer, CU 10x14x1.5</i> | 2 |
| 7 | 08001TR101 | Protector Disco | <i>Disc protector, front</i> | 1 |
| 8 | 50901 | Tornillo DIN 6921 M8x40 - Pinza Freno | <i>Bolt, DIN 6921 M8x40 - Brake caliper</i> | 1 |
| 9 | 50907 | Tornillo DIN 6921 M8x30 - Pinza Freno | <i>Bolt, DIN 6921 M8x30 - Brake caliper</i> | 1 |
| 10 | 70369 | Kit Tapa Bomba | <i>Kit, brake pump cap</i> | 1 |
| 11 | 70370 | Maneta Freno Racing | <i>Racing Brake handle (lever)</i> | 1 |
| 12 | 70357 | Kit Ajuste Maneta | <i>Kit, handle adjustment</i> | 1 |
| 13 | 70358 | Kit Brida Manillar | <i>Kit, handlebar clamp</i> | 1 |
| 14 | 70359 | Kit Reparación Bomba | <i>Kit, pump internal repair</i> | 1 |
| 15 | 70371 | Juego Pastillas Freno Delantero Racing | <i>Brake pad set Racing, front</i> | 1 |
| 16 | 70372 | Kit Reparación Pinza Freno Racing | <i>Kit, rear caliper repair Racing</i> | 1 |
| 17 | 08002TR100 | Casquillo Protector Disco Delantero | <i>Bushing, front disc protector</i> | 2 |

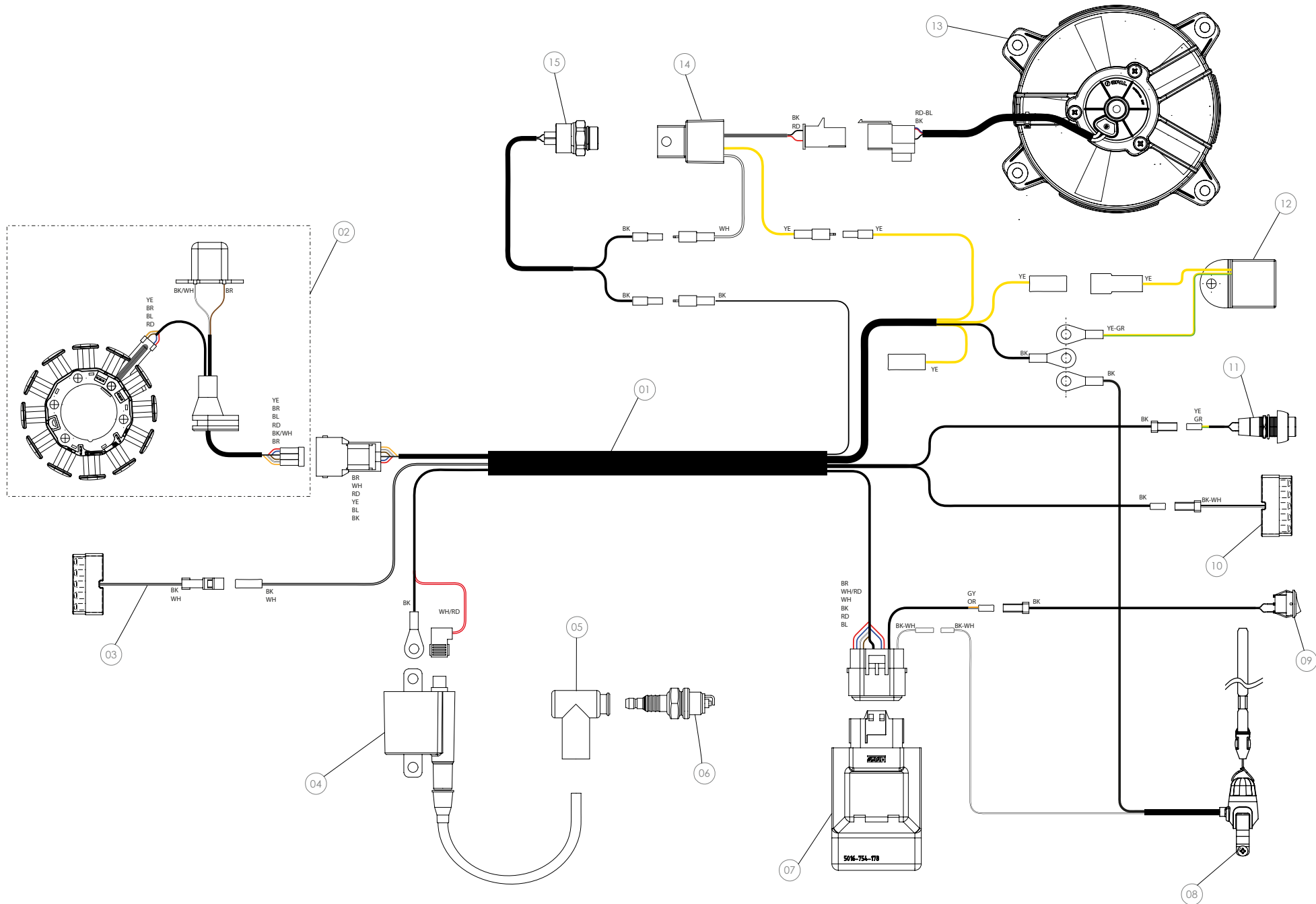


D

C

B

A



Despiece TRRS Raga Racing 2018

09 - IE - Instalación Eléctrica - Listado de Piezas

| Nº | Código | Descripción | Description | Cantidad |
|----|-------------------|--|--|----------|
| 1 | 09001TR100 | Conjunto Instalación eléctrica | <i>Complete electrical system</i> | 1 |
| 2 | 70225 | Stator + Pick up - (véase (07) en lámina 08) | <i>Stator and pickup (see (07) in drawing 08 - Ignition)</i> | 1 |
| 3 | 70202 | Led trasero - (véase (07) en lámina 02) | <i>Rear LED lamp</i> | 1 |
| 4 | 70203 | Bobina - (véase (38) en lámina 01) | <i>Coil</i> | 1 |
| 5 | 70204 | Pipa Bujía | <i>Cap, spark plug</i> | 1 |
| 6 | 70205 | Bujía NGK BPMRGA - (véase (01) en lámina 07 MT) | <i>Spark plug NGK BPMRGA</i> | 1 |
| 7 | 70206 | Caja CDI - (véase (32) en lámina 01) | <i>CDI (black box)</i> | 1 |
| 8 | 70207 | Botón Paro - (véase (20) en lámina 04) | <i>Engine stop button (kill button)</i> | 1 |
| 9 | 70208 | Interruptor Curva CDI - (véase (05) en lámina 04) | <i>Igniton map switch</i> | 1 |
| 10 | 70209 | Led Delantero - (véase (03) en lámina 04) | <i>Front LED lamp</i> | 1 |
| 11 | 70210 | Pulsador Led - (véase (06) en lámina 04) | <i>Switch, LED lamps</i> | 1 |
| 12 | 70211 | Regulador A/C 12V | <i>Voltage regulator, 12V A/C</i> | 1 |
| 13 | 70234 | Ventilador - (véase (03) en lámina 13) | <i>Cooling fan motor assembly</i> | 1 |
| 14 | 70236 | Rectificador ventilador | <i>Rectifier, cooling fan motor</i> | 1 |
| 15 | 70214 | Termocontacto Radiador - (véase (08) en lámina 13) | <i>Thermostatic switch, cooling fan motor</i> | 1 |

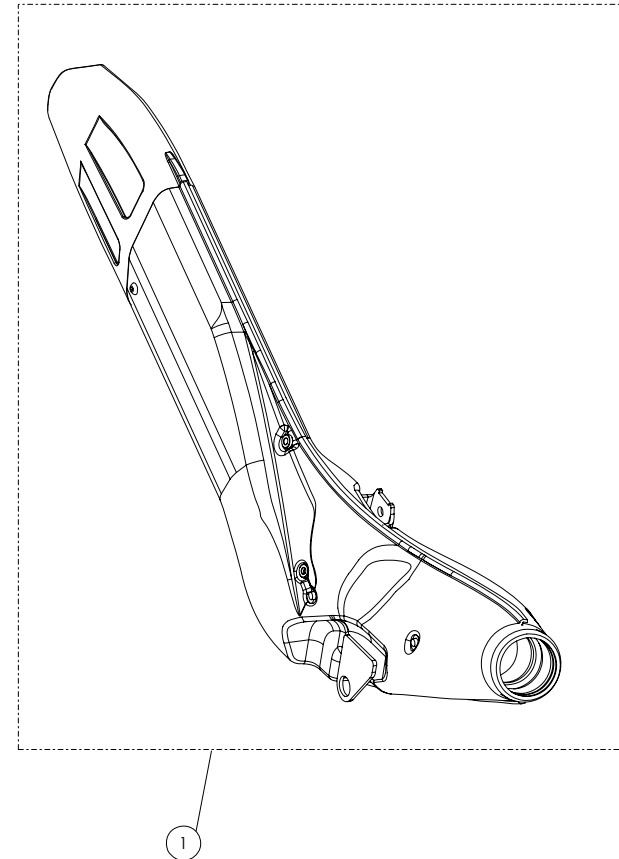
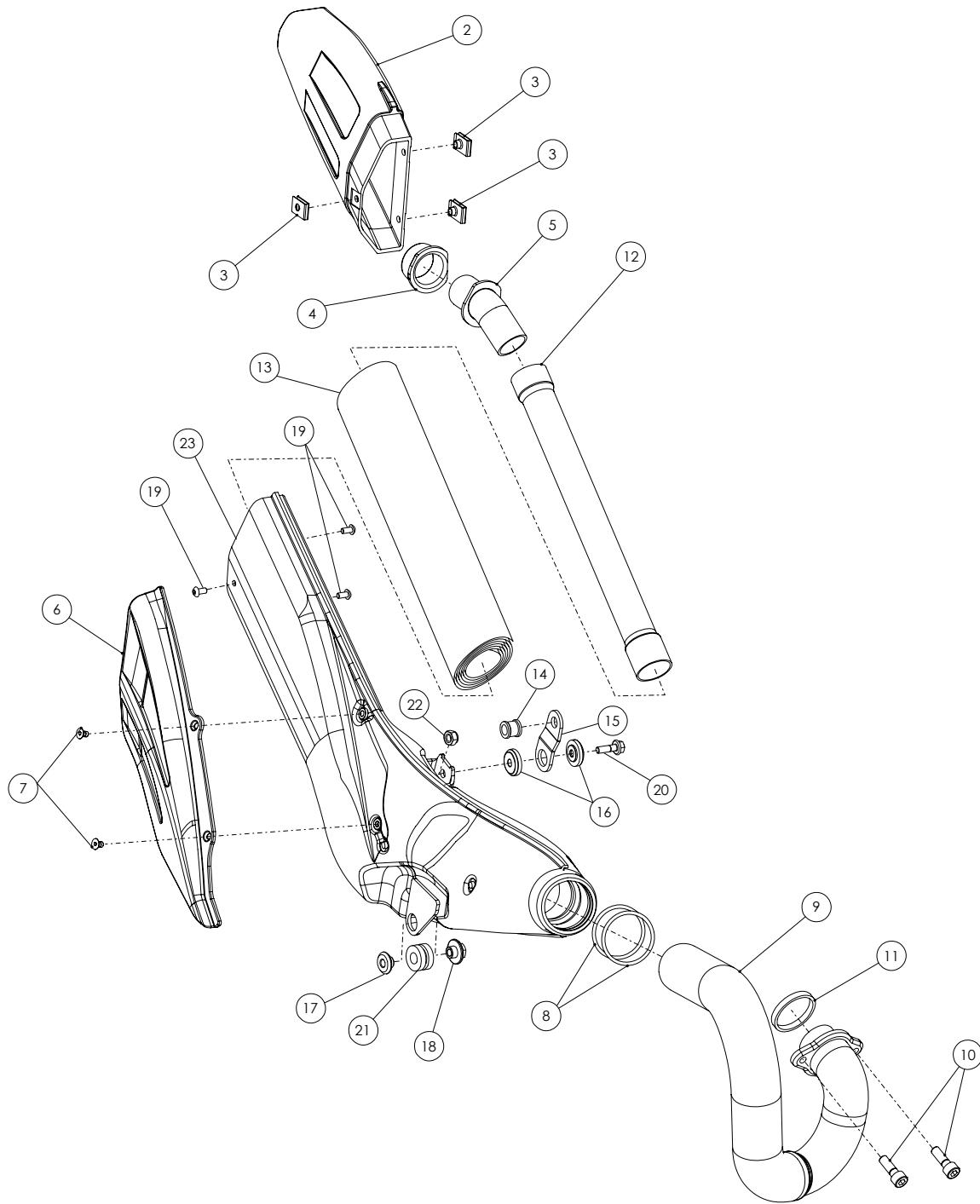


D

C

B

A

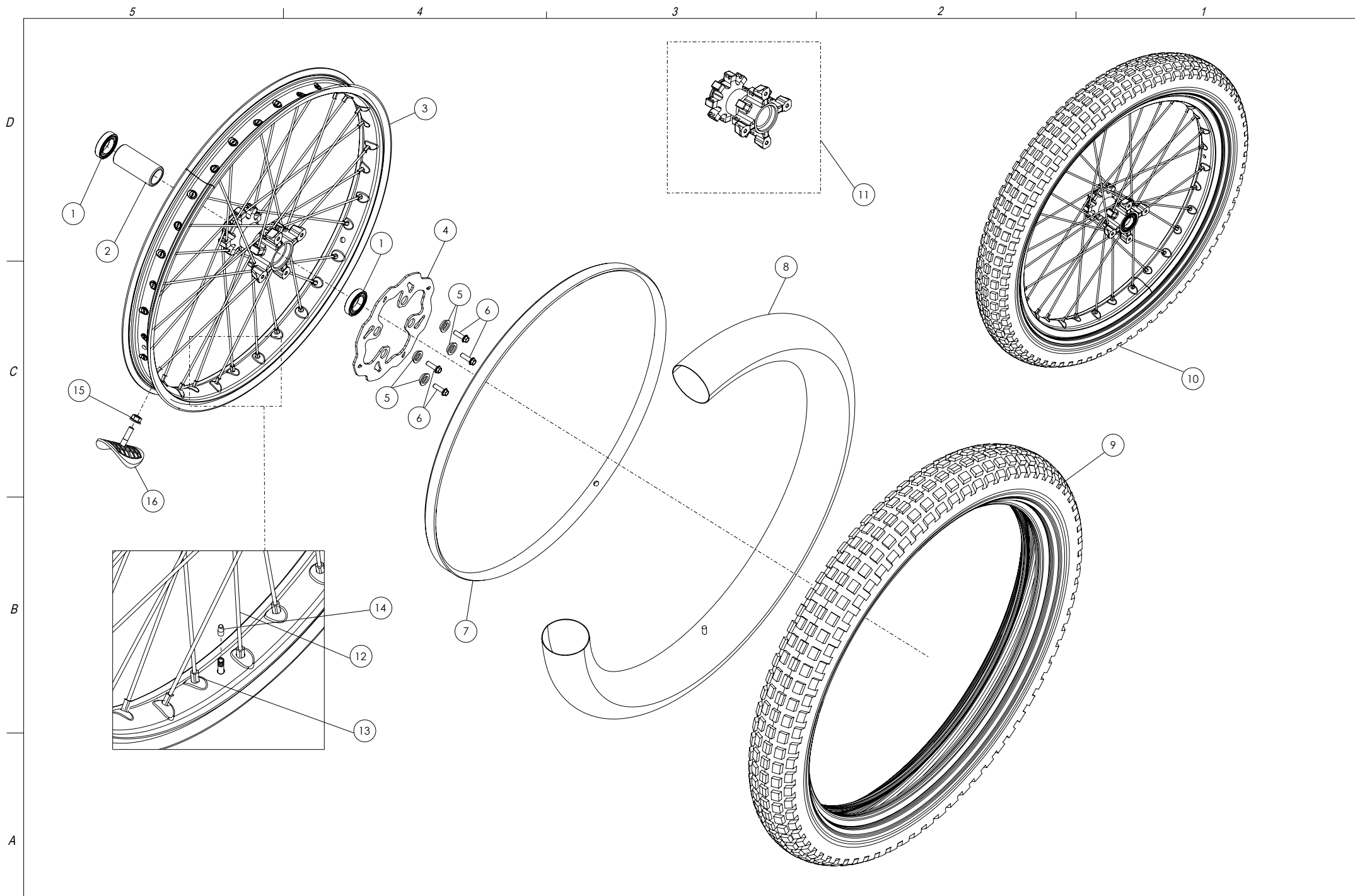


Despiece TRRS Raga Racing 2018

10 - CE - Conjunto Escape - Listado de Piezas

| Nº | Código | Descripción | Description | Cantidad |
|----|------------|---|---|----------|
| 1 | 10001TR100 | Escape Central | Center exhaust | 1 |
| 2 | 10002TR100 | Salida Plástico Silenciador | End-cap, silencer (plastic) | 1 |
| 3 | 51302 | Tuerca Rápida Universal M5 | Speed nut, universal M5 | 3 |
| 4 | 10003TR100 | Goma Cierre Silencioso | Rubber grommet, silencer end-cap | 1 |
| 5 | 70601 | Tubo Salida Silencioso | Silencer exit tube | 1 |
| 6 | 10004TR100 | Protector Escape | Exhaust protector (heat shield) | 1 |
| 7 | 50303 | Tornillo DIN 7991 M5x8 - Protector Escape | Bolt, DIN 7991 M5x8 - Exhaust protector | 2 |
| 8 | 53004 | Tórica 44x3 | O-ring, 44x3 | 2 |
| 9 | 10005TR100 | Curva Escape Titanio | Exhaust pipe, titanium | 1 |
| 10 | 50807 | Tornillo DIN 912 M8x20 | Bolt, DIN 912 M8x20 | 2 |
| 11 | 10006TR100 | Junta Metálica Curva Escape | Metal gasket, exhaust pipe | 1 |
| 12 | 70602 | Tubo Interno Silencioso | Silencer internal tube | 1 |
| 13 | 70603 | Fibra Silencioso | Silencer fiber packing | 1 |
| 14 | 10007TR100 | Casquillo Soporte Escape Superior | Bushing, exhaust support, upper | 1 |
| 15 | 10008TR100 | Chapa Soporte Escape Chasis | Brace, exhaust to chassis support | 1 |
| 16 | 10009TR100 | Casquillo Escape Superior_Nylon | Bushing, exhaust to chassis support - nylon | 2 |
| 17 | 10010TR100 | Casquillo Inferior Escape | Bushing, exhaust, lower | 1 |
| 18 | 10011TR100 | Casquillo Separador Soporte Escape Inferior Roscado | Spacer bushing, lower exhaust support, threaded | 1 |
| 19 | 50206 | Tornillo DIN 7380 M5x10 | Bolt, DIN 7380 M5x10 | 3 |
| 20 | 50908 | Tornillo DIN 6921 M6x25 | Bolt, DIN 6921 M6x25 | 1 |
| 21 | 63002 | Silentblock | Silentblock (vibration isolator) | 1 |
| 22 | 51501 | Tuerca Autoblocante M6 | Locknut, M6 | 1 |
| 23 | 10012TR100 | Silencioso | Silencer | 1 |





Despiece TRRS Raga Racing 2018

11 - RD - Rueda Delantera - Explosionado

| Nº | Código | Descripción | Description | Cantidad |
|----|--------|---|----------------------------------|----------|
| 1 | 52101 | Rodamiento 6004 | Bearing, 6004 | 2 |
| 2 | 70701 | Casquillo Interior Buje | Bushing, interior hub | 1 |
| 3 | 70714 | Conjunto llanta delantera (Buje blanco) | Front rim set (White hub) | 1 |
| 4 | 70363 | Disco de Freno Delantero TRS | Front brake disc rotor | 1 |
| 5 | 70364 | Casquillo Disco Freno | Bushing, brake disc rotor | 4 |
| 6 | 50402 | Tornillo DIN 6921 M6 | Bolt, DIN 6921 M6 | 4 |
| 7 | 70703 | Goma Protector | Rubber protector (flap) | 1 |
| 8 | 70704 | Camara Delantera + Válvula | Front inner-tube with valve | 1 |
| 9 | 70705 | Michelin 2,75-21 | Tyre, Michelin 2.75x21 | 1 |
| 10 | 70713 | Conjunto rueda delantera (Buje blanco) | Front wheel set (White hub) | 1 |
| 11 | 70712 | Buje delantero (Blanco) | Front hub (White) | 1 |
| 12 | 70708 | Radios Rueda Delantera | Spoke, front wheel | 32 |
| 13 | 70709 | Tuerca Radios Rueda Delantera | Spoke nipple (nuts), front wheel | 32 |
| 14 | 70710 | Tapón Válvula Cámara | Valve cap | 1 |
| 15 | 51105 | Tuerca DIN 6923 M8 | Nut, DIN 6923 M8 | 1 |
| 16 | 70711 | Agarre Cubierta | Lock, Tyre to rim | 1 |



5

4

3

2

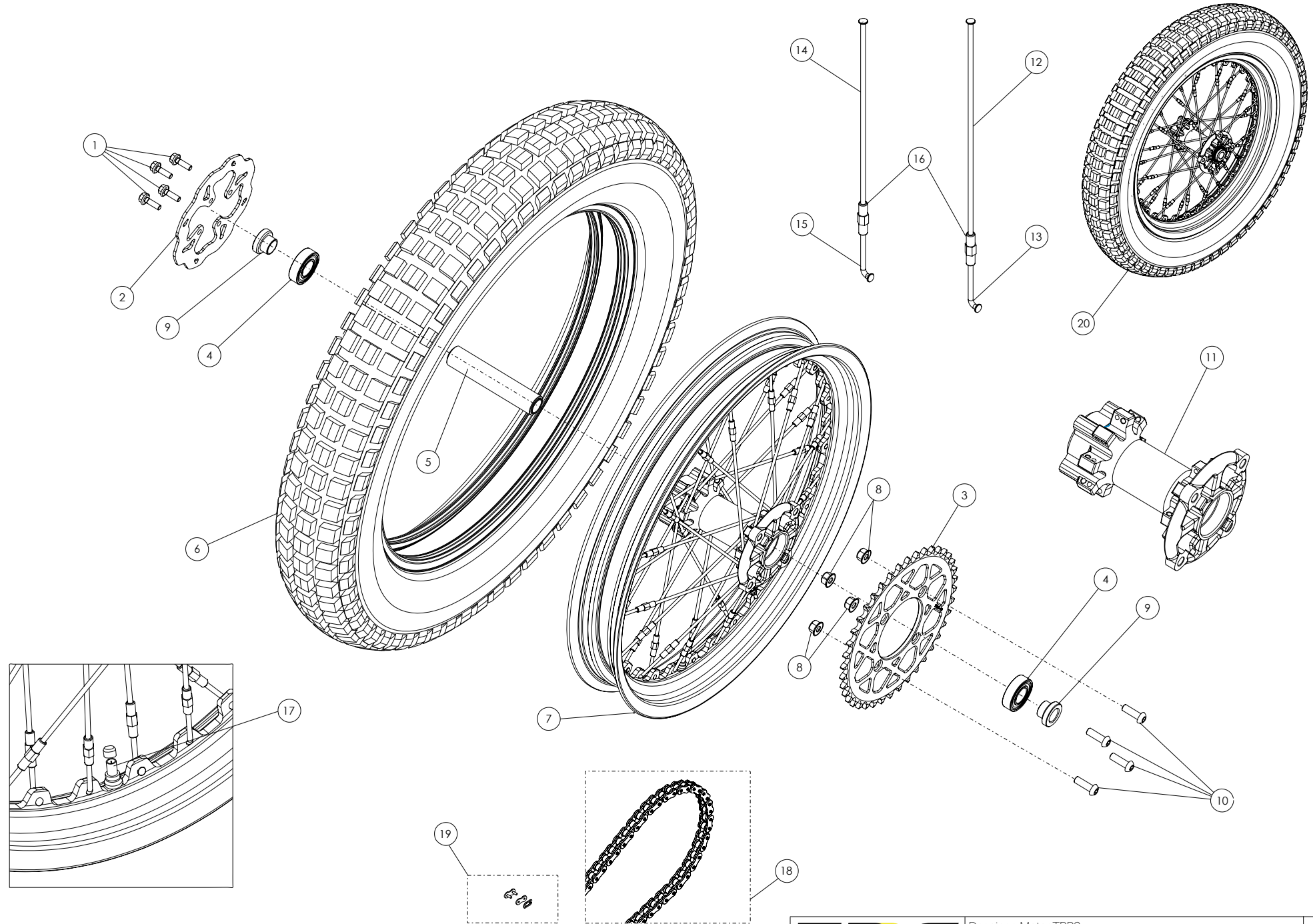
1

D

C

B

A



Despiece TRRS Raga Racing 2018

| Nº | Código | Descripción | Description | Cantidad |
|----|-------------------|--|--|----------|
| 1 | 50402 | Tornillo DIN6921 M6x20 - Disco Freno Trasero | <i>Bolt, DIN 6921 M6x20 - Rear brake disc rotor</i> | 4 |
| 2 | 70314 | Disco Freno Trasero TRS | <i>Brake disc rotor, rear TRS</i> | 1 |
| 3 | 12003TR100 | Corona 40z Racing | <i>Rear sprocket 40-T racing</i> | 1 |
| 4 | 52101 | Rodamiento 6004 | <i>Bearing, 6004</i> | 2 |
| 5 | 70751 | Casquillo Interior Buje | <i>Bushing, interior hub</i> | 1 |
| 6 | 70752 | Neumático Trasero - Michelin x11 4,00 R18 | <i>Rear tyre - Michelin X11 4.00 R18</i> | 1 |
| 7 | 70764 | Conjunto llanta trasera (Buje blanco + Llanta aligerada) | <i>Rear rim set (White hub + light rim)</i> | 0 |
| 8 | 51402 | Tuerca DIN 6927 Autoblocante M8 - Corona | <i>Nut, DIN 6927 self locking M8 - Sprocket</i> | 4 |
| 9 | 12002TR100 | Casquillo Distanciador Rueda | <i>Spacer bushing, wheel</i> | 2 |
| 10 | 50207 | Tornillo DIN 7380 M8x25 - Corona | <i>Bolt, DIN 7380 M8x25 - Sprocket</i> | 4 |
| 11 | 70754 | Buje Trasero | <i>Rear hub</i> | 1 |
| 12 | 70755 | Radio M4x0,7 LG. 175/18º - Lado Derecho | <i>Spoke, M4x0.7 long 175/18 - Right side</i> | 16 |
| 13 | 70756 | Radio M4x0,7 LG. 36/95º - Lado Derecho | <i>Spoke, M4x0.7 short 36/95 - Right side</i> | 16 |
| 14 | 70757 | Radio M4x0,7 LG. 165/12º - Lado Izquierdo | <i>Spoke, M4x0.7 long 165/12 - Left side</i> | 16 |
| 15 | 70758 | Radio M4x0,7 LG. 34,5/103º - Lado Izquierdo | <i>Spoke, M4x0.7 short 34.5/103 - Left side</i> | 16 |
| 16 | 70759 | Tuerca Radios Doble Rosca M4 | <i>Nipple (nut) double-end threaded M4</i> | 32 |
| 17 | 70760 | Válvula | <i>Valve</i> | 1 |
| 18 | 70401 | Cadena Transmisión | <i>Drive chain</i> | 1 |
| 19 | 70402 | Enganche Cadena | <i>Chain master-link</i> | 1 |
| 20 | 70765 | Cnto. Rueda trasera (Corona 40Z Racing, Buje blanco, Llanta aligerada) | <i>Rear wheel set (Rear racing sprocket 40Z, White hub, light rim)</i> | 1 |

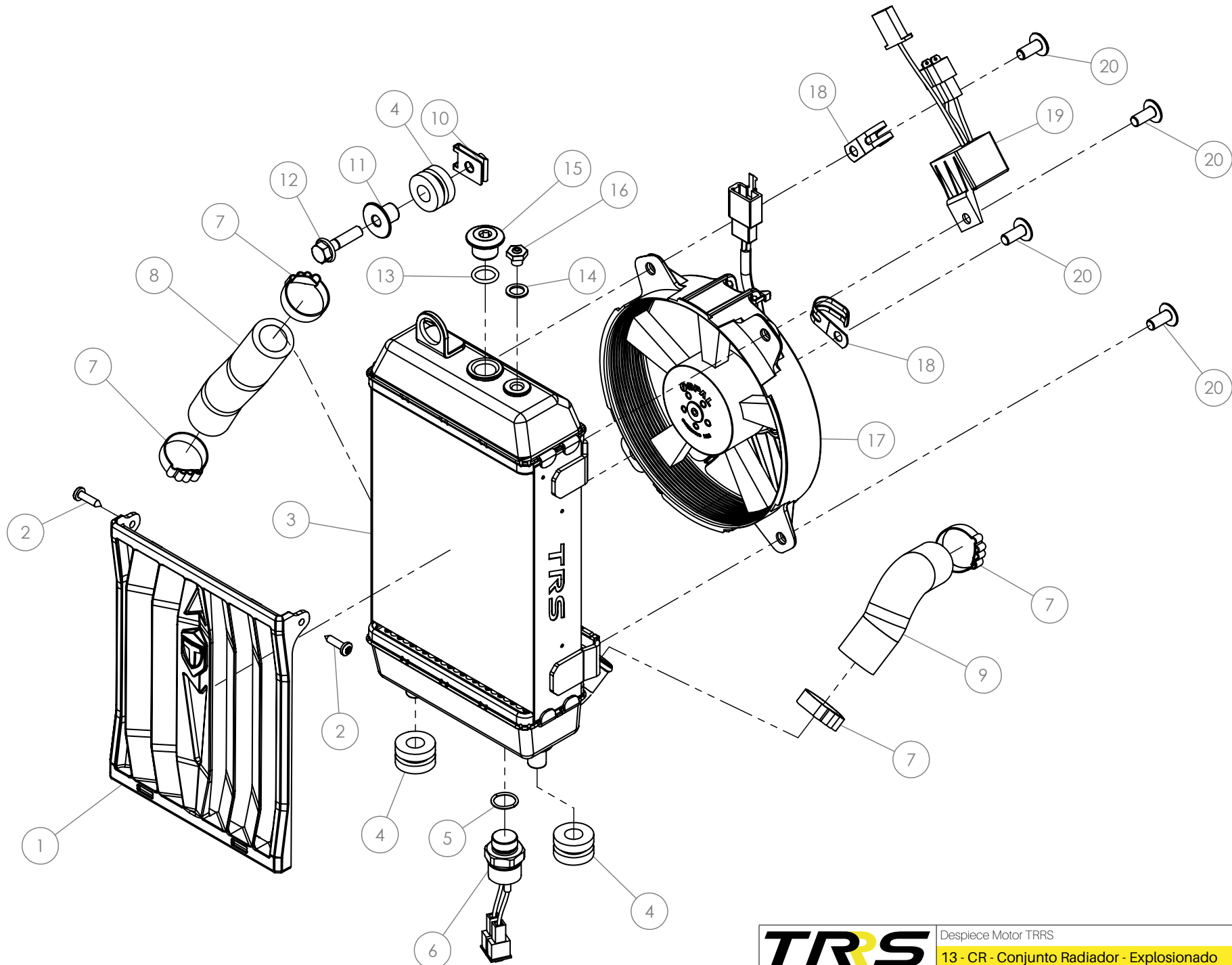


D

C

B

A



Despiece TRRS Raga Racing 2018

| Nº | Código | Descripción | Description | Cantidad |
|----|-------------------|---|---|----------|
| 1 | 13005TR100 | Protector Radiador | <i>Radiator protect</i> | 1 |
| 2 | 50606 | Tornillo DIN 7981 2,9x9,5 - Rosca Chapa | <i>Screw, DIN 7981 2.9x9.5 - Course thread</i> | 2 |
| 3 | 13009TR100 | Radiador TRRS | <i>Radiator TRRS</i> | 1 |
| 4 | 63002 | SilentBlock | <i>Silentblock, (vibration isolator)</i> | 3 |
| 5 | 53006 | Tórica 12x15x1,5 | <i>O-ring, 12x15x1.5</i> | 1 |
| 6 | 70214 | Termocontacto - (véase (15) en lámina 09-IE-Instalación Eléctrica) | <i>Thermostatic switch - (see item (15) in drawing 09-IE - Electrical system</i> | 1 |
| 7 | 58009 | Abrazadera Cobra 22 | <i>Hose clamp, Cobra 22</i> | 4 |
| 8 | 13003TR100 | Tubo Goma Derecho - Bomba Agua - Radiador | <i>Rubber hose, right side - Water-pump - Radiator</i> | 1 |
| 9 | 13002TR100 | Tubo Goma Izquierdo - Culata - Radiador | <i>Rubber hose, left side - Cylinder head - Radiator</i> | 1 |
| 10 | 51301 | Tuerca Rápida Universal M6 | <i>Speed-nut, Universal M6</i> | 1 |
| 11 | 70802 | Casquillo SilentBlock Radiador Superior | <i>Bushing, Silentblock radiator upper</i> | 1 |
| 12 | 50908 | Tornillo DIN 6921 M6x25 - SilentBlock Radiador Chasis | <i>Bolt, DIN 6921 M6x25 - Silentblock, radiator to chassis</i> | 1 |
| 13 | 53015 | Tórica 12x1,5 - Tapón Radiador | <i>O-ring, 12x1.5 - Radiator cap</i> | 1 |
| 14 | 56102 | Arandela Cobre 8x12x1,5 - Válvula Expansión Radiador | <i>Copper washer, 8x12x1.5 - Radiator expansion valve</i> | 1 |
| 15 | 13004TR100 | Tapón Radiador | <i>Radiator cap</i> | 1 |
| 16 | 70801 | Válvula Expansión Radiador | <i>Radiator expansion valve</i> | 1 |
| 17 | 70234 | Ventilador | <i>Fan</i> | 1 |
| 18 | 58001 | Abrazadera 60mm | <i>Clamp 60mm</i> | 1 |
| 19 | 70236 | Rectificador Ventilador- (véase (14) en lámina 09-IE-Instalación Eléctrica) | <i>Rectifier, cooling fan - (see item (14) in drawing 09-IE - Electrical system</i> | 1 |
| 20 | 50209 | Tornillo M6x14 DIN 7380-2 | <i>Screw M6x14 DIN 7380-2</i> | 4 |

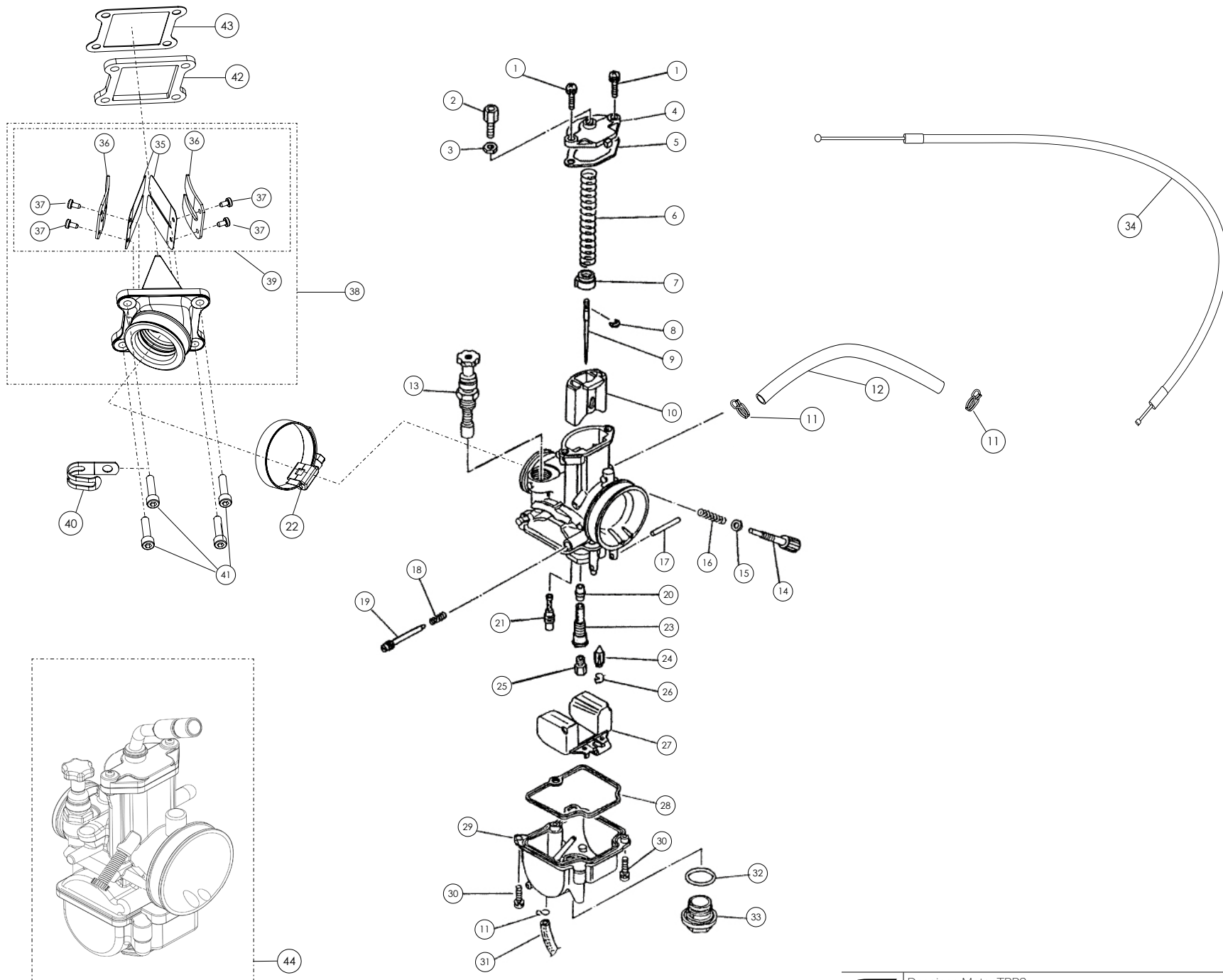


D

C

B

A



Despiece TRRS Raga Racing 2018

| Nº | Código | Descripción | Description | Cantidad |
|----|--------------|-----------------------|------------------------------------|----------|
| 1 | - | - | Screw, top cover | - |
| 2 | - | - | Cable Adjuster | - |
| 3 | - | - | Nut, Cable Adjuster | - |
| 4 | - | - | Top Cover | - |
| 5 | - | - | Gasket, Top | - |
| 6 | - | - | Spring, Throttle Valve | - |
| 7 | - | - | Collar, Throttle Spring | - |
| 8 | - | - | Clip, Jet Needle | - |
| 9 | - | - | Jet Needle | - |
| 10 | - | - | Throttle Valve | - |
| 11 | 58010 | Clip Tubo | Fuel hose clip | 2 |
| 12 | 62002 | Tubo Gasolina | Fuel hose | 1 |
| 13 | - | - | Starter Valve (pull knob) Complete | - |
| 14 | - | - | Idle Adjuster | - |
| 15 | - | - | Washer, Idle Adjuster | - |
| 16 | - | - | Spring, Idle Adjuster | - |
| 17 | - | - | Float Pin | - |
| 18 | - | - | Spring, Air Adjuster | - |
| 19 | - | - | Air Adjust Screw | - |
| 20 | - | - | Needle Jet | - |
| 21 | - | - | Slow Jet | - |
| 22 | 58011 | Abrazadera Norma30/45 | Clamp, Norma 30/45 | 1 |
| 23 | - | - | Needle Jet Holder SDGAA | - |
| 24 | - | - | Float Valve Complete | - |
| 25 | - | - | Main Jet (hex type) | - |
| 26 | - | - | Clip, Float Valve | - |
| 27 | - | - | Float | - |



Despiece TRRS Raga Racing 2018

| Nº | Código | Descripción | Description | Cantidad |
|----|-------------------|------------------------------|------------------------------------|----------|
| 28 | - | - | <i>Gasket, Float Bowl</i> | - |
| 29 | - | - | <i>Float Bowl Complete</i> | - |
| 30 | - | - | <i>Screw, Float Bowl</i> | - |
| 31 | - | - | <i>Overflow pipe</i> | - |
| 32 | - | - | <i>O-Ring, Plug Screw</i> | - |
| 33 | - | - | <i>Plug Screw</i> | - |
| 34 | 14004TR100 | Cable De Gas Regulable | <i>Throttle cable</i> | 1 |
| 35 | 70446 | Láminas | <i>Reed valves</i> | 1 |
| 36 | 70445 | Tope Metálico Láminas | <i>Metal stop, reeds</i> | 1 |
| 37 | 70444 | Tornillo M3 | <i>Bolt, M3</i> | 1 |
| 38 | 70443 | Caja Láminas Completa Keihin | <i>Complete reed cage assembly</i> | 1 |
| 39 | 14005TR100 | Kit Láminas y Topes | <i>Kit, Reeds and stoppers</i> | 1 |
| 40 | 58001 | Abrazadera 60mm | <i>Clamp 60mm</i> | 1 |
| 41 | 50112 | Tornillo Din 912 M5X20 | <i>Bolt, DIN 912 M5x20</i> | 4 |
| 42 | 14006TR100 | Distanciador Caja de Láminas | <i>Spacer, Reed valve cage</i> | 1 |
| 43 | 14007TR100 | Junta Caja Láminas | <i>Gasket, Reed valve cage</i> | 1 |
| 44 | 70452 | Carburador Keihin PKW28 | <i>Carburetor, PHBL 26 BS</i> | 1 |

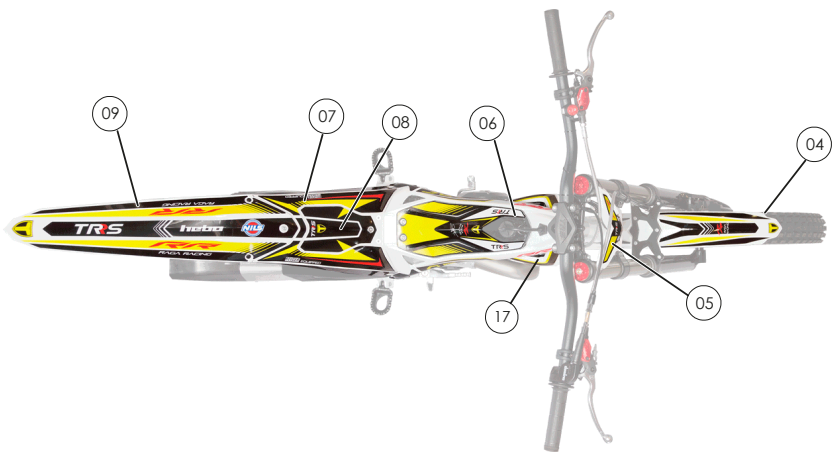
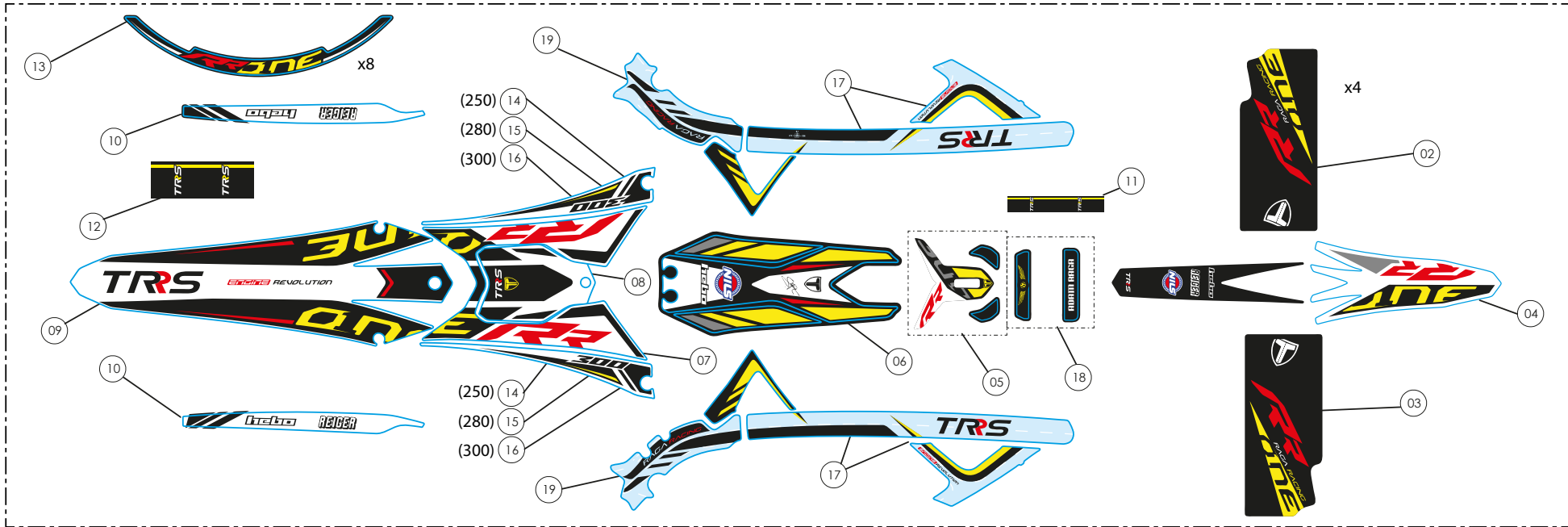


D

C

B

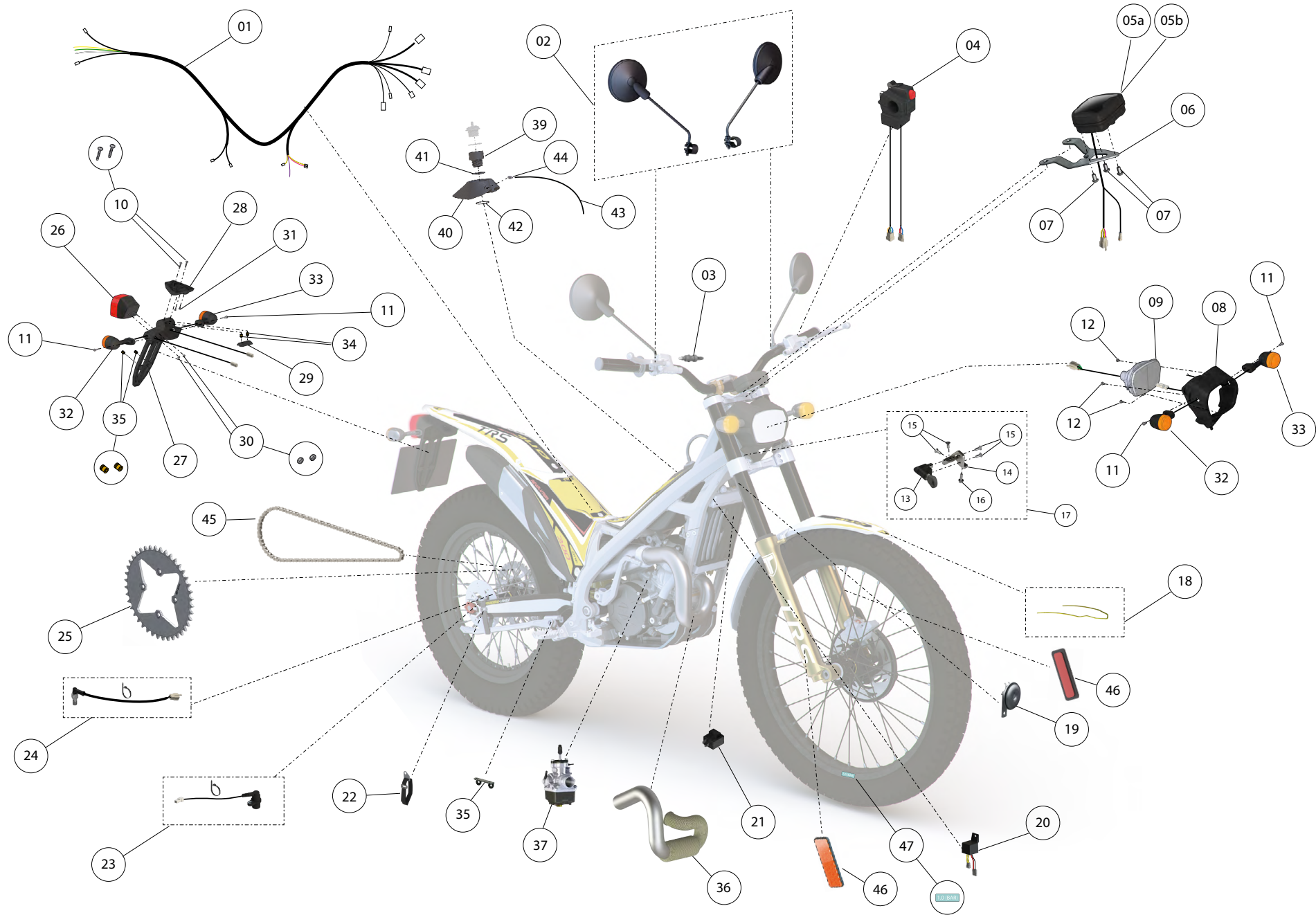
A



Despiece TRRS Raga Racing 2018

| Nº | Código | Descripción | Description | Cantidad |
|----|------------|--|--|----------|
| 1 | 15025TR101 | Conjunto Adhesivos Racing | Racing Sticker kit, Complete | 1 |
| 2 | 15026TR101 | Adhesivo Horquilla Izquierda Racing | Racing Sticker, fork-leg left | 1 |
| 3 | 15027TR101 | Adhesivo Horquilla Derecha Racing | Racing Sticker, fork-leg right | 1 |
| 4 | 15028TR101 | Adhesivo Guardabarros Delantero Racing | Racing Sticker, front mudguard (fender) | 4 |
| 5 | 15029TR101 | Adhesivo Careta Faro Racing | Racing Sticker, headlamp mask | 1 |
| 6 | 15030TR101 | Adhesivo Depósito Racing | Racing Sticker, fuel tank | 1 |
| 7 | 15031TR101 | Adhesivo Caja de Filtro Racing | Racing Sticker, air filter box | 1 |
| 8 | 15032TR101 | Adhesivo Tapa Caja de Filtro Racing | Racing Sticker, air filtes access cover | 1 |
| 9 | 15033TR101 | Adhesivo Guardabarros Trasero Racing | Racing Sticker, rear mudguard (fender) | 1 |
| 10 | 15009TR102 | Adhesivo Basculante | Sticker, swing-arm | 2 |
| 11 | 15010TR101 | Adhesivo Buje Delantero | Sticker, front hub | 1 |
| 12 | 15011TR101 | Adhesivo Buje Trasero | Sticker, rear hub | 1 |
| 13 | 15012TR103 | Conjunto Adhesivos Llanta | Wheel sticker set (rim) | 8 |
| 14 | 15034TR101 | Juego Adhesivos Lateral Caja de Filtro Cilindrada 250 Racing | Racing Sticker set, air filter box side, engine size 250 | 2 |
| 15 | 15035TR101 | Juego Adhesivos Lateral Caja de Filtro Cilindrada 280 Racing | Racing Sticker set, air filter box side, engine size 280 | 2 |
| 16 | 15036TR101 | Juego Adhesivos Lateral Caja de Filtro Cilindrada 300 Racing | Racing Sticker set, air filter box side, engine size 300 | 2 |
| 17 | 15037TR101 | Juego Adhesivos Chasis Racing | Racing Sticker set, frame | 2 |
| 18 | 15038TR100 | Adhesivos Radiador Racing | Racing Sticker, Radiator | 1 |
| 19 | 15039TR101 | Adhesivos Protector Lateral Chasis Racing | Racing Stickers, Chassis side protection | 2 |



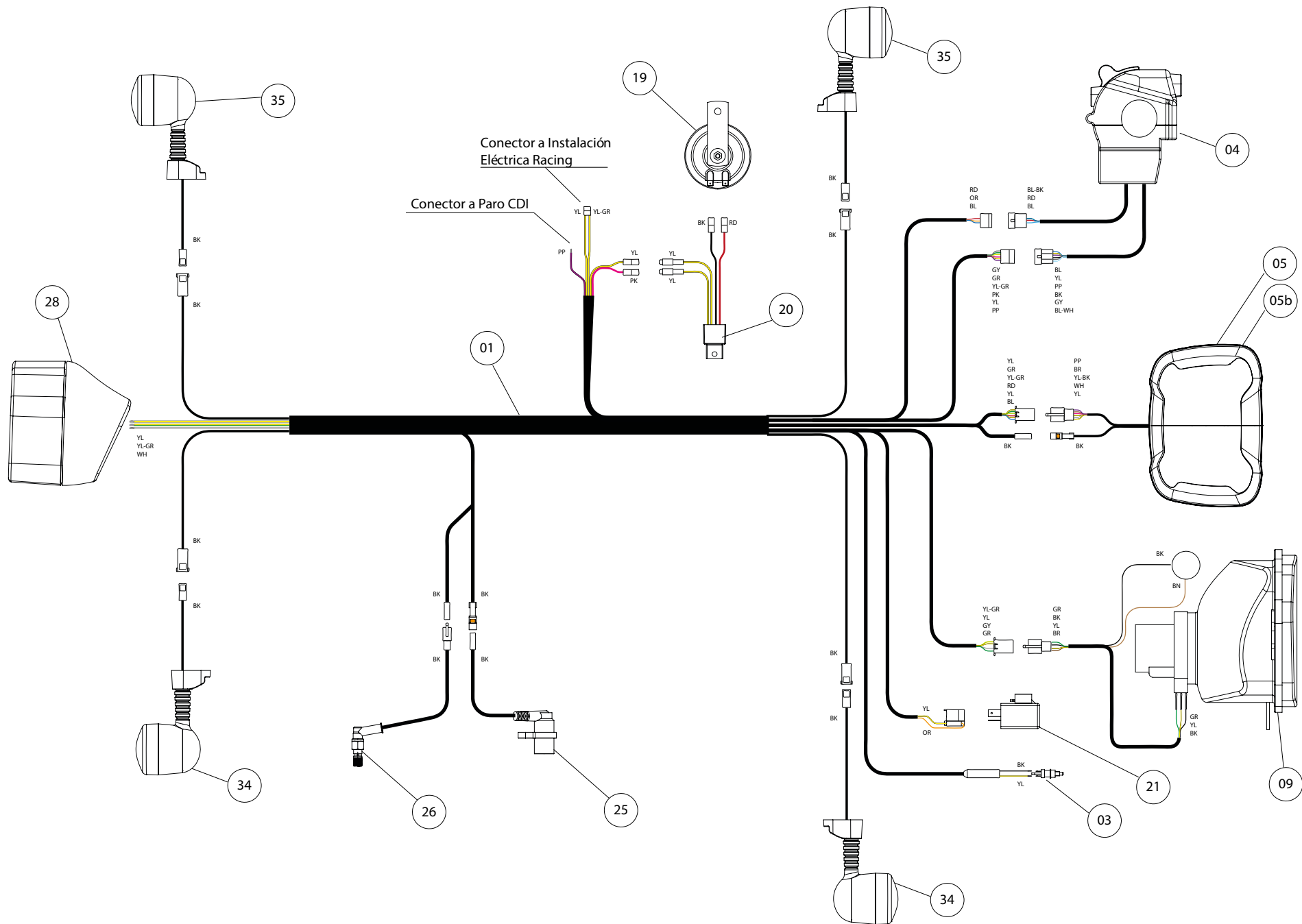


D

C

B

A



Despiece TRRS Raga Racing 2018

| Nº | Código | Descripción | Description | Cantidad |
|----|-------------------|--|--|----------|
| 1 | 16001TR100 | Instalación Eléctrica Homologación | <i>Wiring loom, homologation version</i> | 1 |
| 2 | 70111 | Retrovisores Izq y Der | <i>Rear view mirror set, left and right</i> | 1 |
| 3 | 70365 | Sensor Freno Delantero | <i>Front brake lamp switch</i> | 1 |
| 4 | 70215 | Mando Luces | <i>Light control switch</i> | 1 |
| 5 | 70216 | Multifunción KPH | <i>Instrument panel KPH</i> | 1 |
| 5b | 70226 | Multifunción MPH | <i>Instrument panel MPH</i> | 1 |
| 6 | 16002TR100 | Chapa Soporte Multifunción | <i>Support plate, instrument panel</i> | 1 |
| 7 | 50206 | Tornillo 7380 M5x10 - Multifunción | <i>Bolt, 7380 M5x10 - Instrument panel</i> | 3 |
| 8 | 16003TR100 | Careta Luz Frontal Homologación | <i>Headlamp shroud</i> | 1 |
| 9 | 70217 | Luz Frontal Homologada | <i>Headlamp lens assembly</i> | 1 |
| 10 | 50208 | Tornillo 7380 M5x20 - Guardabarros/Portamatrículas | <i>Bolt, 7380 M5x20 - mudguard-License plate mount</i> | 2 |
| 11 | 50608 | Tornillo Rosca Chapa 3,9x13 | <i>Screw, coarse thread 3.9x13</i> | 4 |
| 12 | 50609 | Tornillo Rosca Chapa 4,2x6,5 | <i>Screw, coarse thread 4.2x6.5</i> | 3 |
| 13 | 70112 | Cláusor | <i>Steering lock</i> | 1 |
| 14 | 16004TR100 | Pletina Cláusor | <i>Steering lock plate</i> | 1 |
| 15 | 50304 | Tornillo 7991 M5x10 - Cláusor | <i>Bolt, 7991 M5x10 - Lock</i> | 4 |
| 16 | 50403 | Tornillo 6921 M6x16 - Cláusor | <i>Bolt, 6921 M6x16 - Lock</i> | 1 |
| 17 | 70113 | Conjunto Cláusor | <i>Complete lock assembly</i> | 1 |
| 18 | 62003 | Goma Protectora Guardabarros Delantero | <i>Rubber protector, front mudguard</i> | 1 |
| 19 | 70219 | Claxon | <i>Horn</i> | 1 |
| 20 | 70220 | Rectificador Claxon | <i>Horn rectifier</i> | 1 |
| 21 | 70221 | Regulador Intermitentes | <i>Turn lamp control module</i> | 1 |
| 22 | 58012 | Velcro Caballete | <i>Retention strap, side-stand (hook and loop - Velcro®)</i> | 1 |
| 23 | 70222 | Sensor Velocidad Multifunción | <i>Speed sensor, instrument panel</i> | 1 |
| 24 | 70315 | Sensor Luz Freno Trasero | <i>Rear brake lamp switch</i> | 1 |
| 25 | 16005TR100 | Corona 31 | <i>Rear sprocket, 31T</i> | 1 |
| 26 | 70223 | Piloto Freno Trasero | <i>Rear lamp assembly (taillamp)</i> | 1 |
| 27 | 16006TR100 | Brazo Portamatrículas | <i>Brace, license plate mount</i> | 1 |



Despiece TRRS Raga Racing 2018

| Nº | Código | Descripción | Description | Cantidad |
|----|-------------------|---|--|----------|
| 28 | 16007TR100 | Base Portamatrículas | License plate mount | 1 |
| 29 | 16008TR100 | Brida Portamatrículas | Clamp, license plate mount | 1 |
| 30 | 51102 | Tuerca 934 M4 - Piloto Trasero | Nut, 934 M4 - Rear light | 2 |
| 31 | 50606 | Tornillo Rosca Chapa 2,9x9,5 - Brazo-Base Portamatrículas | Screw, course thread 2,9x9,5 - Brace-License plate mount | 2 |
| 32 | 70218 | Intermitente Derecho | Turn lamp, right | 2 |
| 33 | 70227 | Intermitente Izquierdo | Turn lamp, left | 2 |
| 34 | 51504 | Inserto Spredset M5x9,5 | Insert Spredset M5x9,5 | 4 |
| 35 | 16009TR100 | Chapa Caballete | Side-stand Plate | 1 |
| 36 | 16010TR100 | Curva Escape Homologación | Homologation Exhaust pipe | 1 |
| 37 | 70403 | Carburador Dellorto | Dellorto Carburetor | 1 |
| 38 | 70483 | Regulaciones Carburador (Altas 90, Bajas 30) | Carburetor control module (High 90, Low 30) | 1 |
| 39 | 16011TR100 | Racord Tapón | Fuel Tank Banjo Bolt | 1 |
| 40 | 16012TR100 | Recogedor Depósito | Fuel Tank Funnel | 1 |
| 41 | 53019 | Tórica Superior Depósito, 31x3 | Upper O'ring, 31x3 - Fuel Tank | 1 |
| 42 | 53020 | Tórica Inferior Depósito, 32,99 x 2,62 | Lower O'ring, 32,99 x 2,62 - Fuel Tank | 1 |
| 43 | 16014TR100 | Tubo Racord 4,5x9 Largo=33 | Banjo Bolt Tube, 4,5x9 Length=33 | 1 |
| 44 | 03002MT100 | Racord Recogedor Depósito | Fuel Tank Funnel Banjo bolt | 1 |
| 45 | 16015TR100 | Cadena Homologación 96 Pasos | Chain Homologación, 96 Links | 1 |
| 46 | 70119 | Catadrióptico | Catadryoptic | 2 |
| 47 | 15043TR100 | Adhesivo Presión neumáticos | Tire Pressure Sticker | 2 |

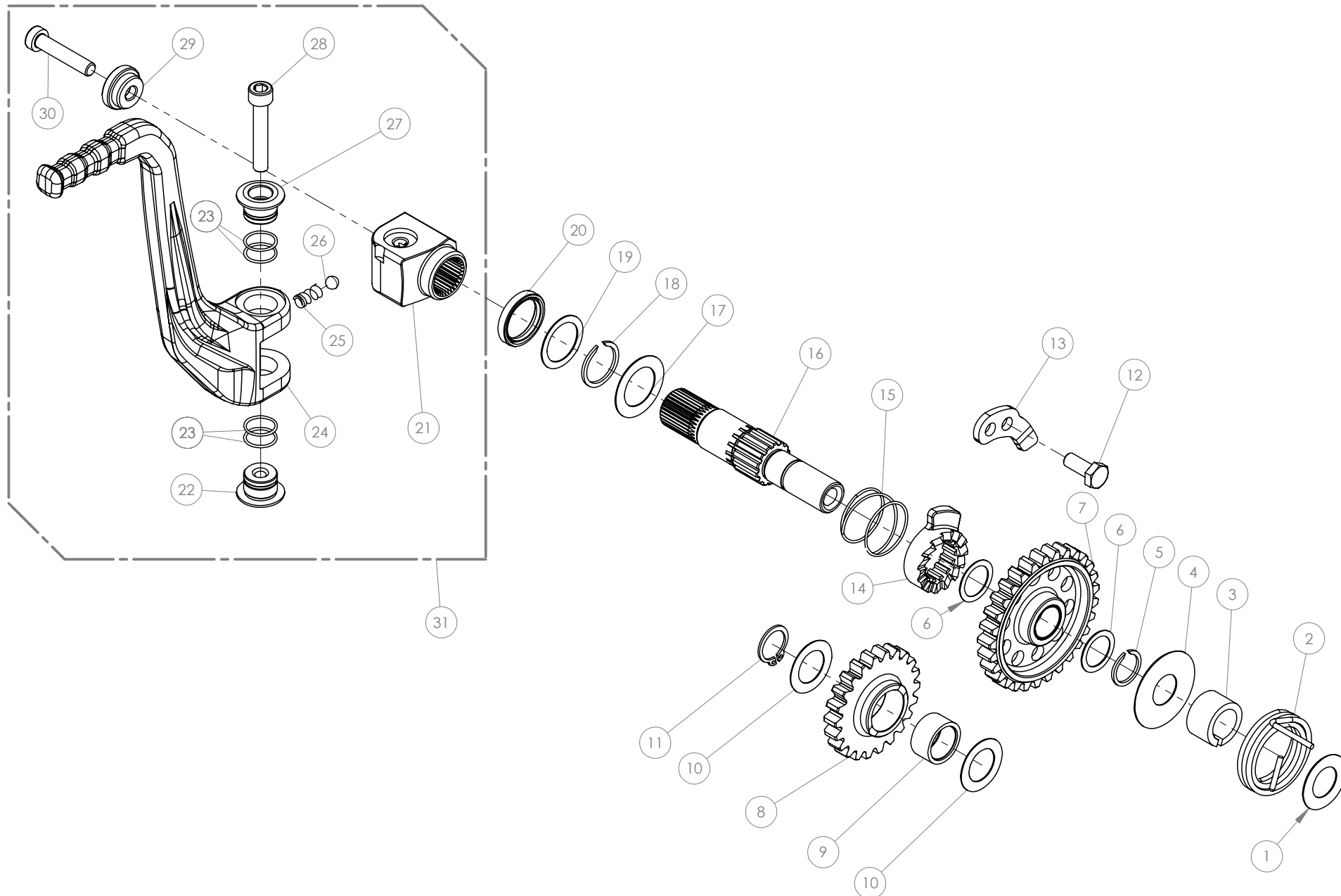


D

C

B

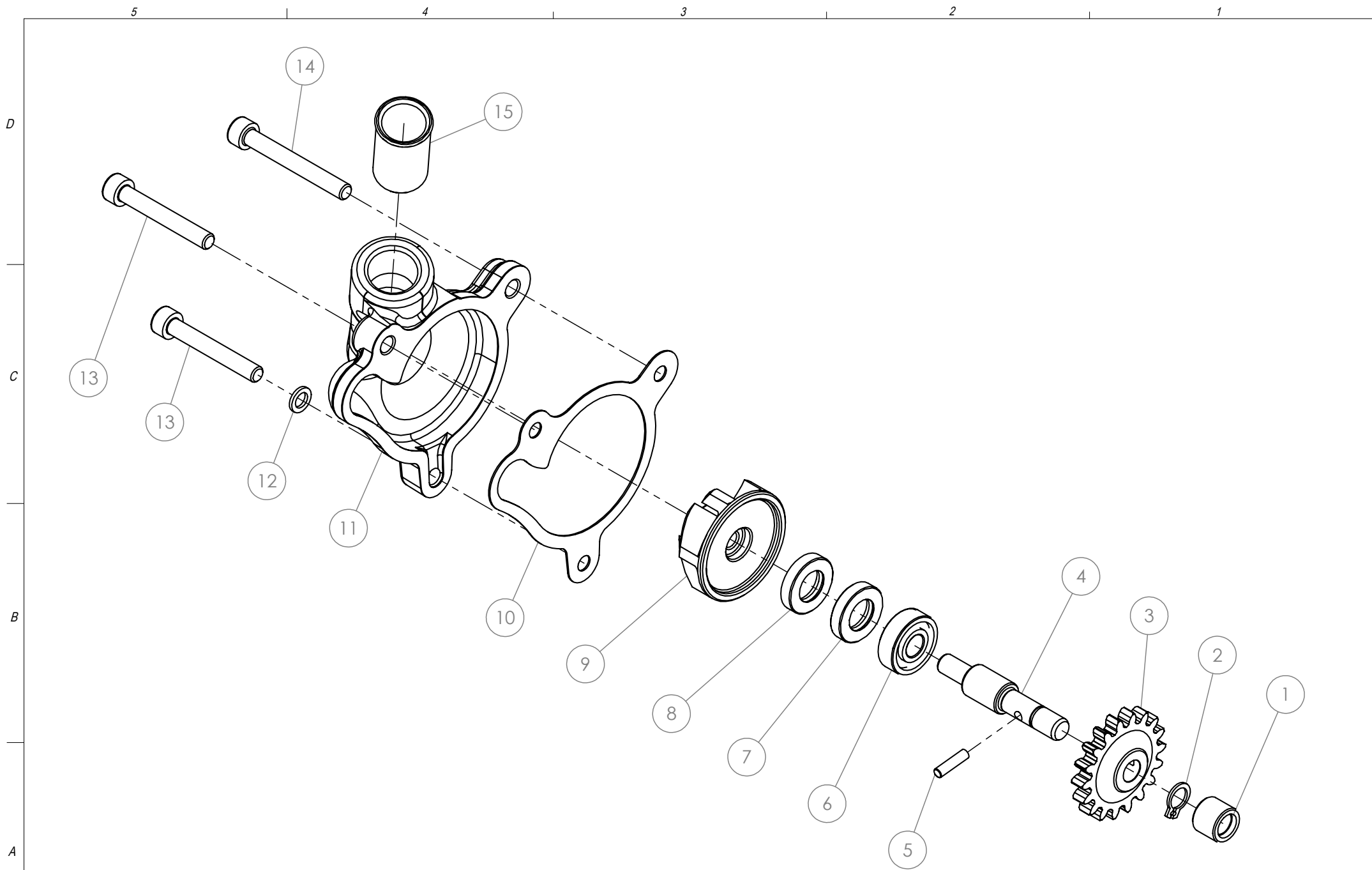
A



Despiece TRRS Raga Racing 2018

| Nº | Código | Descripción | Description | Cantidad |
|----|------------|--|--|----------|
| 1 | 01001MT100 | Arandela Interna Arranque 25x14x0.5 | Washer, internal kick-start 25x14x0.5 | 1 |
| 2 | 01002MT101 | Muelle Arranque | Spring, kick-start | 1 |
| 3 | 01018MT100 | Casquillo eje arranque | Spacer, kick starter | 1 |
| 4 | 01019MT100 | Arandela muelle arranque | Washer, kick starter spring | 1 |
| 5 | 55010 | Circlip Arranque sw14x1.2 | Circlip, kick starter sw14 x1.2 | 1 |
| 6 | 01020MT100 | Arandela piñon arranque 14x35x0,5 | Washer, Kick starter gear | 2 |
| 7 | 01026MT100 | Piñon arranque | Gear kick starter assembly | 1 |
| 8 | 01027MT100 | Piñon Intermedio Arranque | Gear, intermediate kick-start | 1 |
| 9 | 52513 | Rodamiento agujas Piñón Intermedio K15x19x10 | Bearing needle | 1 |
| 10 | 01015MT100 | Arandela Piñon Intermedio Arranque 24x15x0.5 | Washer, intermediate kick-start gear 24x15x0.5 | 2 |
| 11 | 55002 | Circlip Piñón Intermedio Arranque 15X1 DIN-471 | Circlip, intermediate kick-start gear 15x1 DIN-471 | 1 |
| 12 | 50503 | Tornillo Hexagonal | Bolt hexagonal | 1 |
| 13 | 01025MT100 | Chapa tope trinquete | Ratchet cam | 1 |
| 14 | 01022MT100 | Trinquete arranque | Kick starter ratchet | 1 |
| 15 | 01023MT100 | Muelle trinquete arranque | Spring, kick starter ratched | 1 |
| 16 | 01024MT100 | Eje arranque | Kick starter shaft | 1 |
| 17 | 01028MT100 | Arandela Ø14Ø28x0.5 | Washer | 1 |
| 18 | 55011 | Circlip SW18 x1.2 | Circlip SW18 x1.2 | 1 |
| 19 | 01008MT101 | Arandela Eje Arranque 18X24X0,5 | Washer, kick-start shaft 18x24x0.5 | 1 |
| 20 | 54003 | Retén Arranque 18x24x4 | Seal, kick-start 18x24x4 | 1 |
| 21 | 01010MT100 | Muñequilla Pedal Arranque | Fulcrum, kick-start pedal | 1 |
| 22 | 01011MT100 | Casquillo Pedal Arranque - Inferior | Bushing, kick-start pedal (lower) | 1 |
| 23 | 53007 | Tórica Muñequilla Nbr 12X1 | O-ring, starter fulcrum Nbr 12x1 | 4 |
| 24 | 01014MT100 | Pedal Arranque Trs | Pedal, kick-start | 1 |
| 25 | 01013MT100 | Muelle posicionador palanca arranque | Spring, kickstart position | 1 |
| 26 | 60002 | Bola Pedal Arranque F84Kug5,556 | Ball, kick-start retention | 1 |
| 27 | 01009MT100 | Casquillo Pedal Arranque - Superior | Bushing, kick-start pedal (upper) | 1 |
| 28 | 50113 | Tornillo Pedal Arranque Din 912 M6X1X35 | Bolt, kick-start pedal DIN 912 M6x1x35 | 1 |
| 29 | 01012MT100 | Casquillo Sujeción Pedal - Muñequilla | Retention bushing, kick-start pedal | 1 |
| 30 | 50103 | Tornillo Din 912 M6X30 Muñequilla Arranque | Bolt, Din 912 M6x30 kick-start fulcrum | 1 |
| 31 | 01017MT100 | Conjunto Palanca | Set, Starting Pedal | 1 |





Despiece TRRS Raga Racing 2018

| Nº | Código | Descripción | Description | Cantidad |
|----|------------|----------------------------------|---------------------------------------|----------|
| 1 | 52504 | Rodamiento Agujas HK0709 | Needle bearing HK0709 | 1 |
| 2 | 55003 | Circlip 7x0,8 Din-471 | Circlip 7x0,8 Din-471 | 1 |
| 3 | 02001MT100 | Piñón Bomba Agua | Gear, water-pump | 1 |
| 4 | 02002MT100 | Eje Bomba agua | Shaft, water pump | 1 |
| 5 | 61002 | Aguja Eje Piñon Bomba Ø3x12 | Needle, pump shaft gear Ø3X12 | 1 |
| 6 | 52102 | Rodamiento Bomba 19x7x6 607 | Bearing, water-pump 19x7x6 607 | 1 |
| 7 | 54004 | Retén Bomba Agua 10x18x4 Viton | Seal, water-pump 10x18x4 Viton | 1 |
| 8 | 54009 | Retén Bomba Agua 10x18x4 NBR | Seal, water-pump 10x18x4 NBR | 1 |
| 9 | 02003MT100 | Turbina Bomba Agua | Turbine, water-pump | 1 |
| 10 | 02004MT100 | Junta Bomba Agua | Gasket, water-pump | 1 |
| 11 | 02005MT100 | Tapa Bomba Agua | Cover, water-pump | 1 |
| 12 | 56103 | Arandela Cooper Tapa Bomba 5x9x1 | Copper washer, water-pump cover 5x9x1 | 1 |
| 13 | 50115 | Tornillo Allen DIN 912 M5x40 | Bolt, Allen DIN 912 M5x40 | 1 |
| 14 | 50116 | Tornillo Allen DIN 912 M5x35 | Bolt, Allen DIN 912 M5x35 | 2 |
| 15 | 02006MT100 | Casquillo Manguito Agua | Bushing, water rubber hose | 1 |

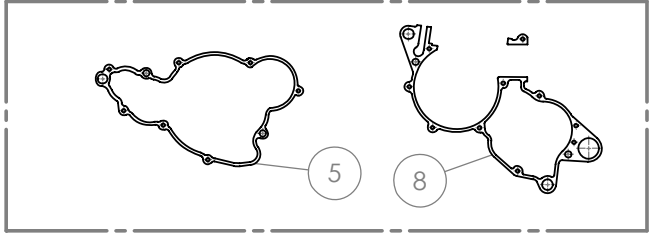


D

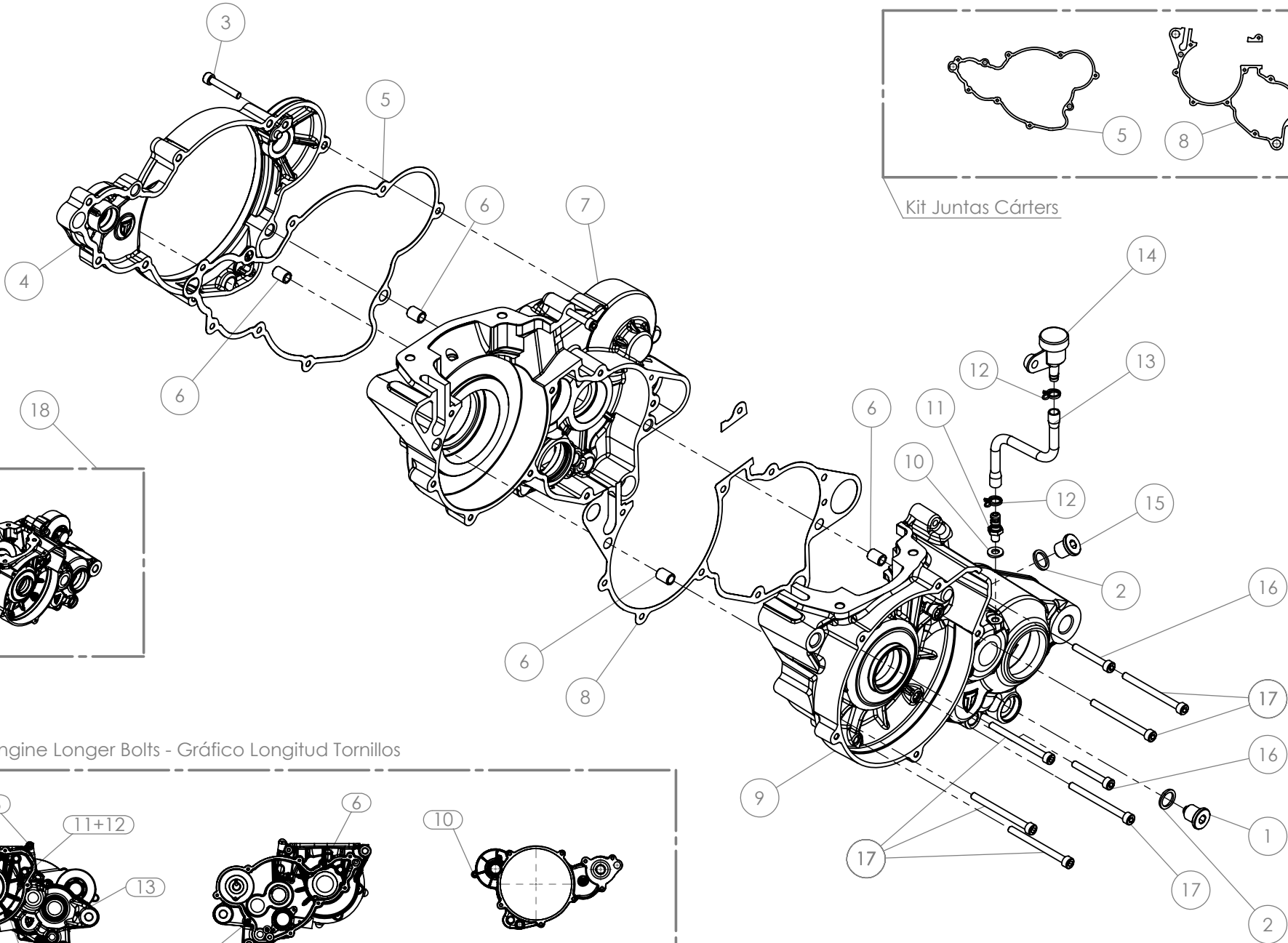
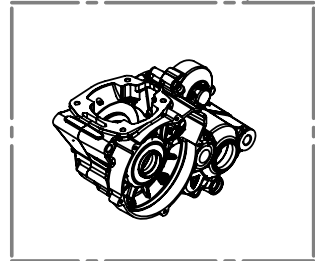
C

B

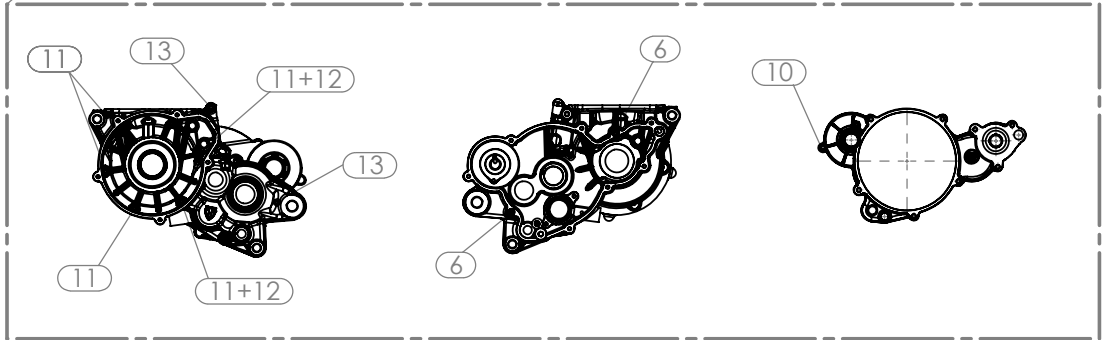
A



Kit Juntas Cárters



Graphic Engine Longer Bolts - Gráfico Longitud Tornillos



Despiece TRRS Raga Racing 2018

| Nº | Código | Descripción | Description | Cantidad |
|----|------------|------------------------------|--------------------------------|----------|
| 1 | 03003MT100 | Tapón Vaciado Aceite - Imán | Cap, oil drain - with magnet | 1 |
| 2 | 56104 | Arandela 12X16X1.5 Copper | Copper washer, 12x16x1.5 | 2 |
| 3 | 50118 | Tornillo Allen DIN 912 M5X30 | Bolt, Allen DIN 912 M5x30 | 1 |
| 4 | 03008MT102 | Tapa Carter Embrague | Crankcase clutch cover (large) | 1 |
| 5 | 03011MT100 | Junta Carter Embrague | Gasket, clutch cover | 1 |
| 6 | 57002 | Centrador Carter | Centering bushing, crank case | 4 |
| 7 | 03010MT100 | Cárter Derecho | Case halve, right side | 1 |
| 8 | 03013MT100 | Junta Carter Central | Gasket, center case | 1 |
| 9 | 03009MT100 | Cárter Izquierdo | Case halve, left side | 1 |
| 10 | 56105 | Arandela 6x12x1.5 Copper | Copper washer, 12x6x1.5 | 1 |
| 11 | 03002MT100 | Tornillo Desvaporizador | Ventilation bolt | 1 |
| 12 | 58010 | Clip Tubo Desvaporizador | Clip, vent hose retention | 2 |
| 13 | 62004 | Tubo Desvaporizador | Ventilation hose | 1 |
| 14 | 01018TR100 | Depósito Desvaporizador | Ventilation reservoir | 1 |
| 15 | 03001MT100 | Tapón Llenado Aceite | Oil fill cap | 1 |
| 16 | 50116 | Tornillo Allen Din 912 M5X35 | Bolt, Allen DIN 912 M5x35 | 3 |
| 17 | 50117 | Tornillo Allen Din 912 M5X60 | Bolt, Allen DIN 912 M5x60 | 6 |
| 18 | 03017MT100 | Conjunto Cárters 2018 | Case Halve, 2018 Set | 1 |

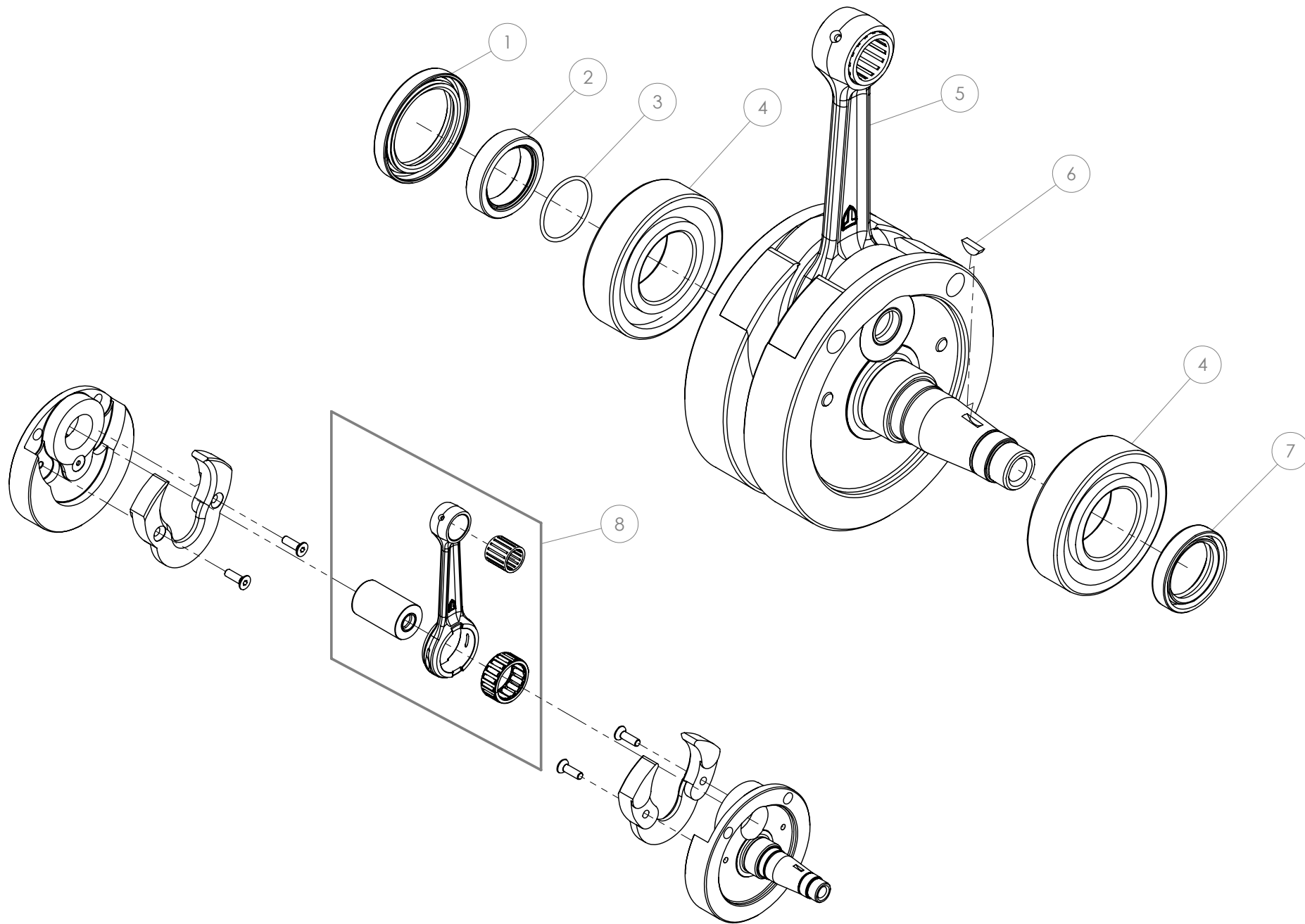


D

C

B

A



Despiece TRRS Raga Racing 2018

| Nº | Código | Descripción | Description | Cantidad |
|----|------------|--|---|----------|
| 1 | 54011 | Reten Doble Labio 35x47x6 | Double Lip Seal 35x47x6 | 1 |
| 2 | 04013MT100 | Casquillo piñon salida cigüeñal | Bushing, primary gear | 1 |
| 3 | 53016 | Tórica Ø1,5Ø25 | O-ring Ø1,5Ø25 | 1 |
| 4 | 52109 | Rodamiento de bolas 6206 | Ball bearing 6206 | 2 |
| 5 | 04004MT100 | Conjunto cigüeñal | Complete crankshaft | 1 |
| 6 | 59001 | Chaveta Volante Magnético DIN6888 10x3x3,7 | Key, magneto flywheel DIN 6888 10x3x3.7 | 1 |
| 7 | 54005 | Retén Cigüeñal Volante 24X35X7 | Seal, crankshaft magneto 24x35x7 | 1 |
| 8 | 04003MT100 | Kit Biela | Rod kit | 1 |

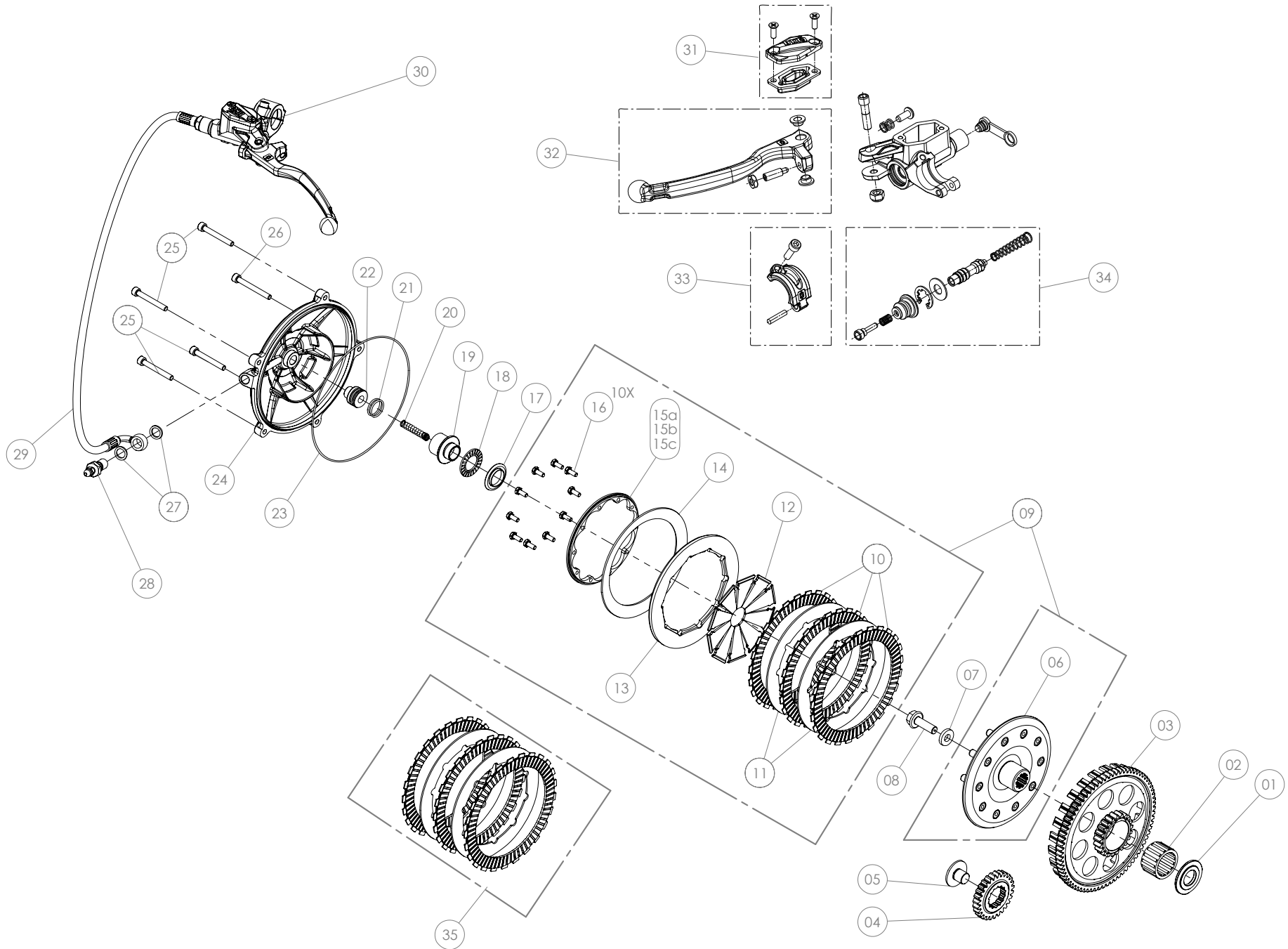


D

C

B

A



Despiece TRRS Raga Racing 2018

| Nº | Código | Descripción | Description | Cantidad |
|-----|------------|---|---|----------|
| 1 | 05001MT100 | Arandela Distanciador Embrague | Washer, clutch spacer | 1 |
| 2 | 52505 | Rodamiento Agujas Campana K25x33x20 | Needle bearing, clutch hub K25x33x20 | 1 |
| 3 | 05004MT100 | Campana Embrague | Clutch hub | 1 |
| 4 | 05019MT100 | Piñón Transmisión Primario | Primary gear | 1 |
| 5 | 05020MT100 | Tornillo Piñón Primario | Bolt, Primary gear | 1 |
| 6 | 05005MT100 | Cubo Embrague | Outer clutch hub set | 1 |
| 7 | 05006MT100 | Arandela Apriete Cubo | Washer, clutch hub retention | 1 |
| 8 | 50910 | Tornillo 6921 M8x16 - Agujero Pasante | Bolt, 6921 M8x16 - hollow | 1 |
| 9 | 70907 | Conjunto Embrague Completo | Complete clutch assembly | 1 |
| 10 | 05007MT100 | Disco Embrague | Fiber disc, clutch | 3 |
| 11 | 05008MT100 | Disco Metálico Embrague | Metal disc, clutch | 2 |
| 12 | 05009MT100 | Chapa Palanca Embrague | plate, clutch actuation | 10 |
| 13 | 05010MT100 | Prensa Embrague | pressure plate, clutch | 1 |
| 14 | 05011MT100 | Muelle Prensa | Spring, clutch (belville) | 1 |
| 15a | 05012MT100 | Soporte muelle embrague (MED) | Clutch spring suport (MED) | 1 |
| 15b | 05023MT100 | Soporte muelle embrague (DURO) | Clutch spring support (HARD) | 0 |
| 15c | 05024MT100 | Soporte muelle embrague (BLANDO) | Clutch spring support (SOFT) | 0 |
| 16 | 50502 | Tornillo DIN 933 M4x10 - Fijador Muelle | Bolt, DIN 933 M4x10 - Clutch compression ring | 10 |
| 17 | 05013MT100 | Arandela Fricción Embrague | Bushing, clutch compression | 1 |
| 18 | 52506 | Rodamiento Pistón Embrague Agujas AXK1730 | Needle bearing, clutch compression AXK1730 | 1 |
| 19 | 05014MT101 | Pistón Bombín Embrague | Piston, clutch slave | 1 |
| 20 | 05016MT100 | Muelle Pistón embrague | Spring, clutch piston | 1 |
| 21 | 53010 | Tórica Embrague 15x1,5 NBR - Pistón Interno | O-ring, clutch 15x1.5 NBR - slave piston internal | 2 |
| 22 | 05015MT101 | Pistón Interno | Post, internal clutch slave | 1 |
| 23 | 53011 | Tórica Tapa Embrague 135x1,5 | O-ring, clutch cover 135x1.5 | 1 |
| 24 | 05017MT100 | Tapa Embrague TRS | Clutch disc cover TRS | 1 |
| 25 | 50119 | Tornillo DIN 912 M5x45 - Tapa Embrague | Bolt, DIN 912 M5x45- Clutch cover | 4 |
| 26 | 50123 | Tornillo DIN 912 M5x50 - Tapa Embrague | Bolt, DIN 912 M5x50- Clutch cover | 1 |
| 27 | 56101 | Arandela 10x14x1,5 - Racord Embrague | Washer, 10x14x1.5 - hydraulic sealing | 2 |
| 28 | 70901 | Racord M10 Tapa Embrague | Bleeder valve, clutch cover (Banjo) | 1 |



Despiece TRRS Raga Racing 2018

| Nº | Código | Descripción | Description | Cantidad |
|----|-------------------|-------------------------------------|---|----------|
| 29 | 70902 | Latiguillo Embrague | <i>Clutch hose</i> | 1 |
| 30 | 70909 | Bomba de Embrague Racing | <i>Pump Racing, Clutch</i> | 1 |
| 31 | 70910 | Tapa Depósito Bomba Embrague Racing | <i>Cover kit Racing, clutch master cylinder reservoir</i> | 1 |
| 32 | 70911 | Maneta Embrague Racing | <i>Racing Clutch lever (handle)</i> | 1 |
| 33 | 70906 | Brida Bomba Embrague | <i>Clamp, clutch master cylinder</i> | 1 |
| 34 | 70903 | Conjunto Pistón Bomba Embrague | <i>Piston Kit, clutch master cylinder</i> | 1 |
| 35 | 05018MT100 | Conjunto Discos Embrague | <i>Clutch disc set</i> | 1 |

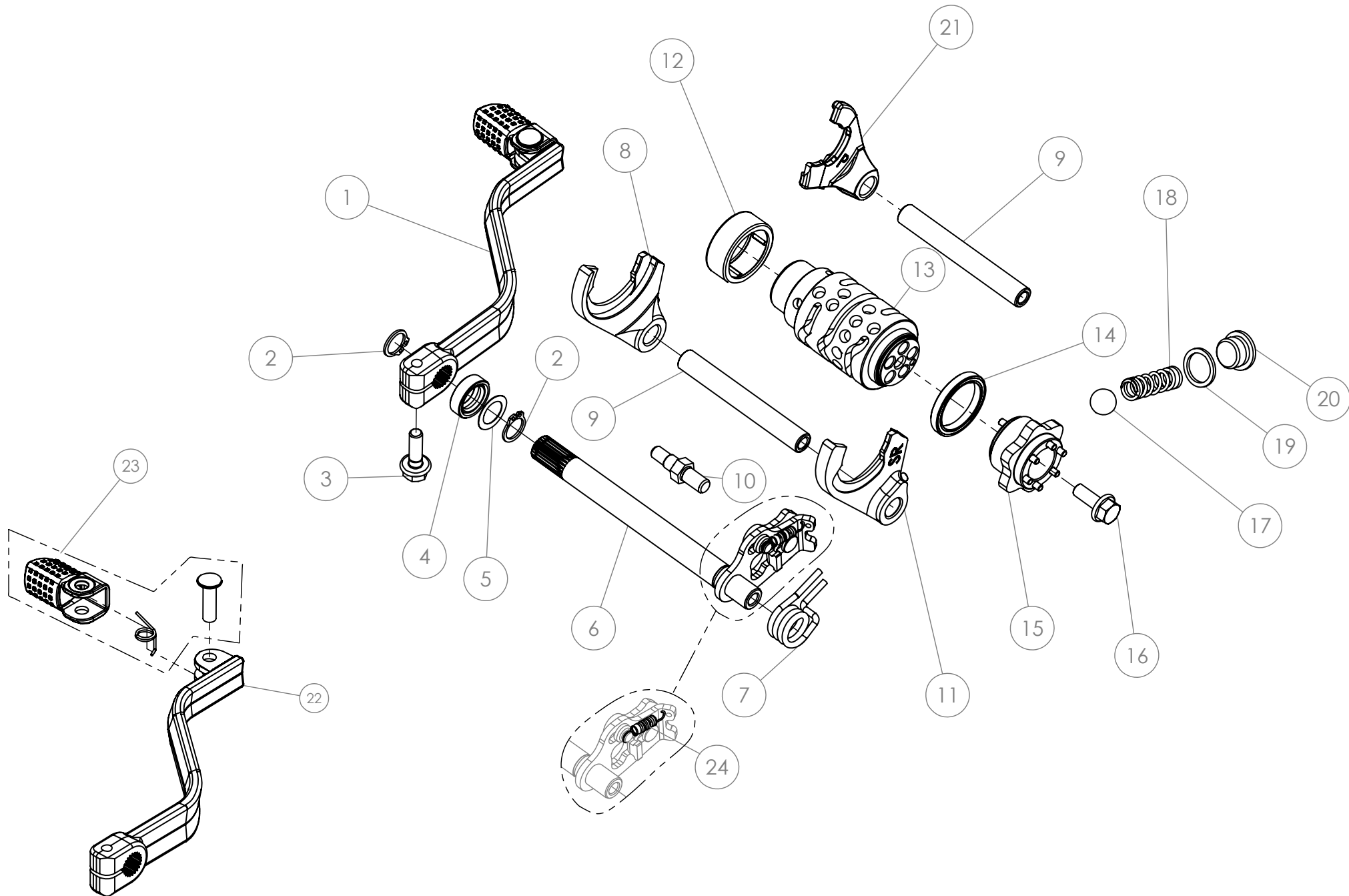


D

C

B

A



Despiece TRRS Raga Racing 2018

| Nº | Código | Descripción | Description | Cantidad |
|----|------------|---|---|----------|
| 1 | 06001MT101 | Conjunto Palanca Cambio | Complete shift pedal | 1 |
| 2 | 55004 | Circlip DIN-471-Ø12 | Circlip DIN-471-Ø12 | 2 |
| 3 | 50909 | Tornillo DIN 6921 M6x20 Hexagonal | Bolt, DIN 6921 M6x20 hex-head | 1 |
| 4 | 54006 | Retén Eje Cambio 12x20x6 | Seal, shift shaft 12x20x6 | 1 |
| 5 | 06002MT100 | Arandela 12x18x0.3 | Washer 12x18x0.3 | 1 |
| 6 | 06027MT100 | Eje selector completo | Shifting shaft set | 1 |
| 7 | 06031MT100 | Muelle eje selector | Spring, shifting shaft | 1 |
| 8 | 06006MT100 | Horquilla Secundario Izquierda SL | Fork, secondary left SL | 1 |
| 9 | 06007MT100 | Eje Horquillas | Shaft, shift fork | 2 |
| 10 | 06003MT100 | Tope Recorrido Selector | Stop, shift shaft | 1 |
| 11 | 06008MT100 | Horquilla Secundario Derecha SR | Fork, secondary right SR | 1 |
| 12 | 52507 | Rodamiento Izquierdo Desmodrómico HK2512 | Bearing, left Shift drum HK2512 | 1 |
| 13 | 06037MT100 | Desmodrómico | Shift rolller | 1 |
| 14 | 52103 | Rodamiento Derecha Desmodromico Bolas 61705-SRS | Bearing, shift drum right - balls 61705-SRS | 1 |
| 15 | 06032MT100 | Estrella desmo | Gearshift set | 1 |
| 16 | 50903 | Tornillo DIN 6921 M6x16 | Bolt, DIN 6921 M6x16 | 1 |
| 17 | 60003 | Bola Fijador Marchas Kug 11,906 | Ball, gear selector position Kug 11.906 | 1 |
| 18 | 06029MT100 | Muelle Fijador Marchas | Spring, gear selector tension | 1 |
| 19 | 56106 | Arandela 14X18X1.5 Copper | Copper Washer, 14x18x1.5 | 1 |
| 20 | 06018MT100 | Tapón Muelle Selector | Cap, selector spring | 1 |
| 21 | 06036MT100 | Horquilla Primario | Fork, primary | 1 |
| 22 | 06020MT101 | Palanca Cambio | Shift pedal arm (bare) | 1 |
| 23 | 70451 | Kit Reparación Palanca Selector | Repair kit, shift pedal tip | 1 |
| 24 | 06030MT100 | Muelle selector marchas | Spring tensioning, shifting plate | 1 |

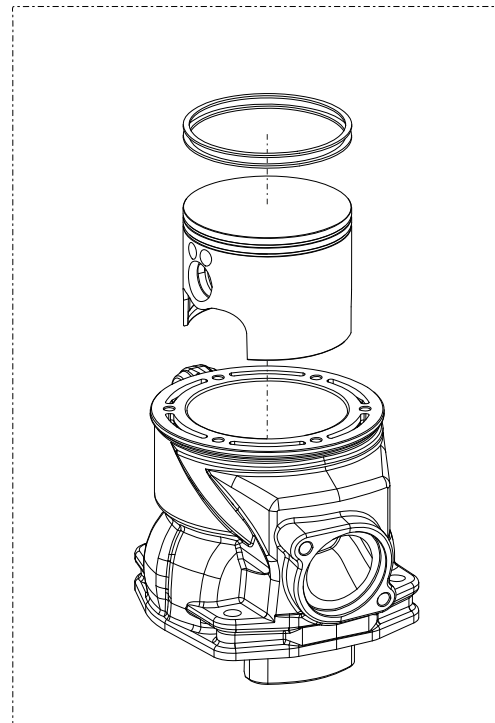
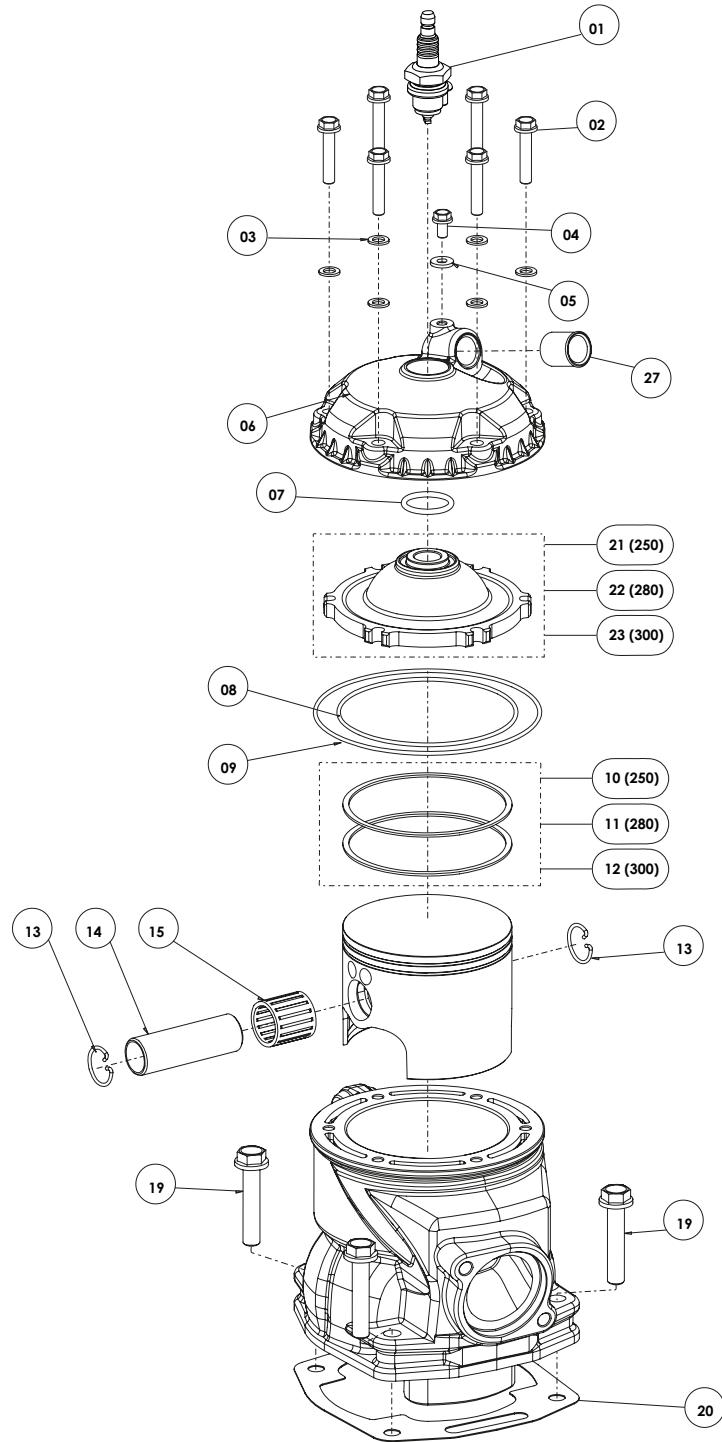


D

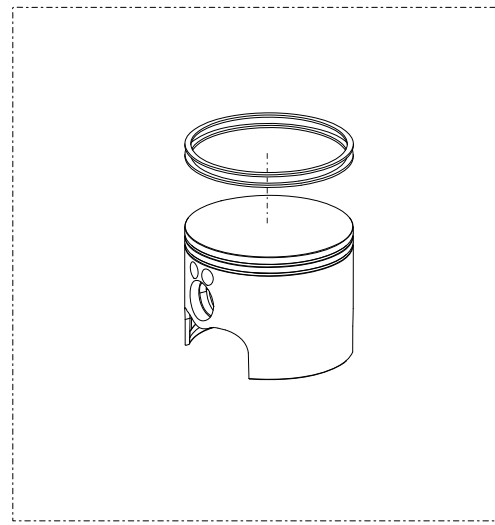
C

B

A



- 24 (250)
- 25 (280)
- 26 (300)



- 16A (250)
- 16B (250)
- 16C (250)
- 17A (280)
- 17B (280)
- 17C (280)
- 18A (300)
- 18B (300)
- 18C (300)



Despiece TRRS Raga Racing 2018

| Nº | Código | Descripción | Description | Cantidad |
|-----|------------|--|--|----------|
| 1 | 70205 | Bujía NGK BPMRGA - (véase (06) en la lámina 09-IE-Instalación Eléctrica) | Spark plug NGK BPMRGA - (see item (06) in drawing 09-IE - Electrical system) | 1 |
| 2 | 50911 | Tornillo DIN 6921 M6X25 Culata | Bolt, DIN 6921 M6x25 Cylinder head | 6 |
| 3 | 56105 | Arandela Tornillo Culata 6x12x1.5 Copper | Copper washer, cylinder head bolt 6x12x1.5 | 6 |
| 4 | 50912 | Tornillo Din 6921 M5X8 Sangrador Culata | Bolt, DIN 6921 M5x8 Cylinder head bleeder | 1 |
| 5 | 56103 | Arandela Tornillo Sangrador Culata Tubo 5x9x1 Copper | Copper washer, cylinder head bleeder 5x9x1 | 1 |
| 6 | 07001MT100 | Tapa Culata | Cylinder head top cap | 1 |
| 7 | 53012 | Tórica Culatín Vitón 20x2,5 | O-ring, Viton 20x2.5 | 1 |
| 8 | 53013 | Tórica Culata Interior Vitón 81,2x1,78 | O-ring, Viton 81,2x1.78 | 1 |
| 9 | 53014 | Tórica Culata Exterior Vitón 101,6x1,78 | O-ring, Viton 101,6x1.78 | 1 |
| 10 | 70460 | Juego Segmentos 250 | Piston ring set, 250 | 1 |
| 11 | 70461 | Juego Segmentos 280 | Piston ring set, 280 | 1 |
| 12 | 70462 | Juego Segmentos 300 | Piston ring set, 300 | 1 |
| 13 | 55005 | Circlip Bulón | Clip, piston pin | 2 |
| 14 | 70463 | Bulón Piston | Piston pin | 1 |
| 15 | 52508 | Cojinete de agujas superior biela | Top rod cage bearing | 1 |
| 16A | 70465 | Conjunto Pistón A (250) | Piston, size A complete (250) | 1 |
| 16B | 70466 | Conjunto Pistón B (250) | Piston, size B complete (250) | 1 |
| 16C | 70467 | Conjunto Pistón C (250) | Piston, size C complete (250) | 1 |
| 17A | 70477 | Conjunto Pistón A (280) | Piston, size A complete (280) | 1 |
| 17B | 70478 | Conjunto Pistón B (280) | Piston, size B complete (280) | 1 |
| 17C | 70479 | Conjunto Pistón C (280) | Piston, size C complete (280) | 1 |
| 18A | 70480 | Conjunto Pistón A (300) | Piston, size A complete (300) | 1 |
| 18B | 70481 | Conjunto Pistón B (300) | Piston, size B complete (300) | 1 |
| 18C | 70482 | Conjunto Pistón C (300) | Piston, size C complete (300) | 1 |
| 19 | 50901 | Tornillo DIN 6921 M8X1,25X40 | Bolt, DIN 6921 M8x1.25x40 | 4 |
| 20 | 07002MT100 | Junta Cilindro 0,5 | Cylinder base gasket 0.5 | 1 |
| 21 | 07003MT100 | Culatín Interno (250) | Interior cylinder head (250) | 1 |
| 22 | 07004MT100 | Culatín Interno (280) | Interior cylinder head (280) | 1 |
| 23 | 07005MT100 | Culatín Interno (300) | Interior cylinder head (300) | 1 |



Despiece TRRS Raga Racing 2018

| Nº | Código | Descripción | Description | Cantidad |
|----|-------------------|----------------------------------|---|----------|
| 24 | 07006MT100 | Conjunto Cilindro Y Pistón (250) | <i>Complete cylinder and piston (250)</i> | 1 |
| 25 | 07007MT100 | Conjunto Cilindro Y Pistón (280) | <i>Complete cylinder and piston (280)</i> | 1 |
| 26 | 07008MT100 | Conjunto Cilindro Y Pistón (300) | <i>Complete cylinder and piston (300)</i> | 1 |
| 27 | 02006MT100 | Casquillo Manguito Agua | <i>Bushing, water rubber hose</i> | 1 |



5

4

3

2

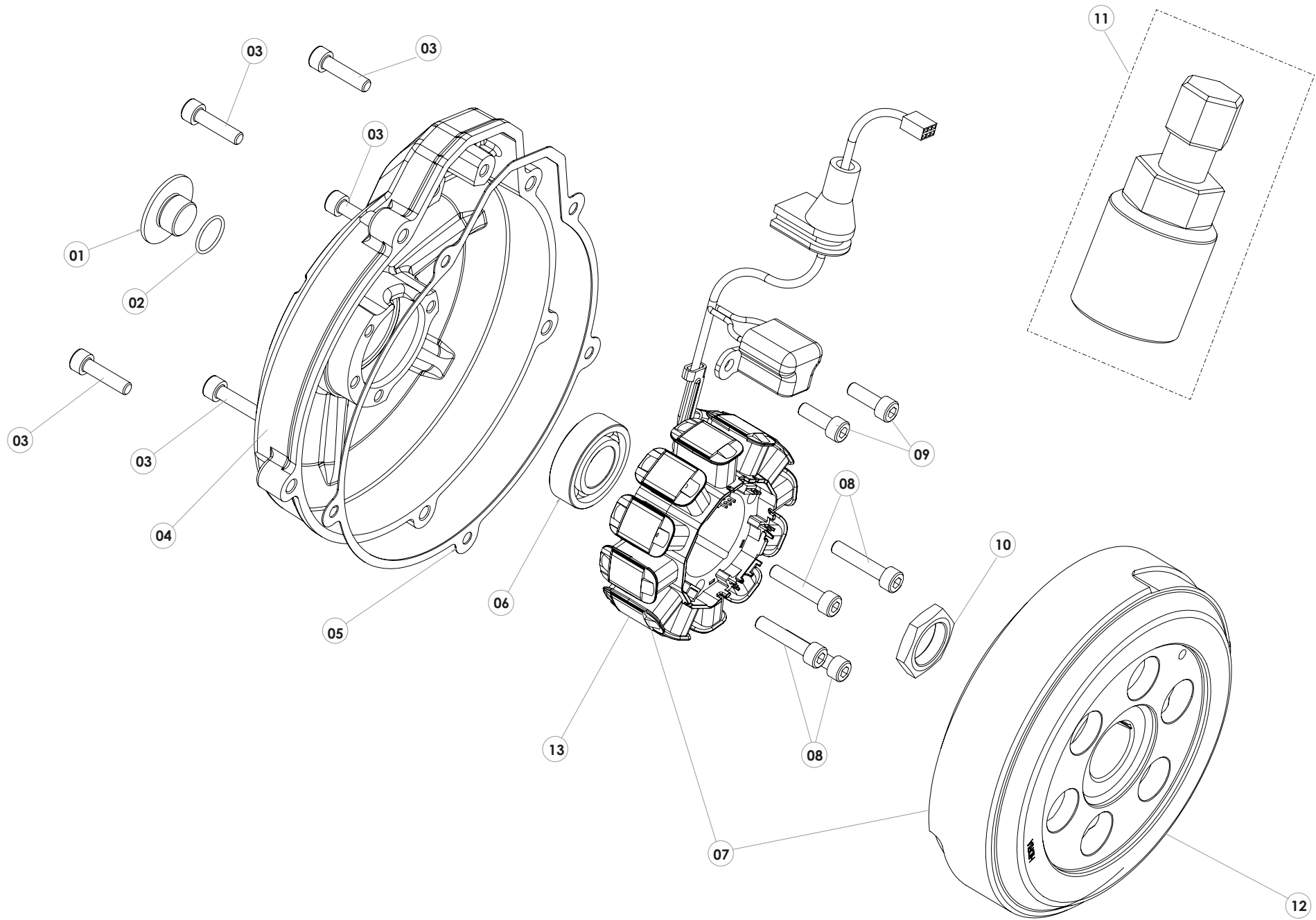
1

D

C

B

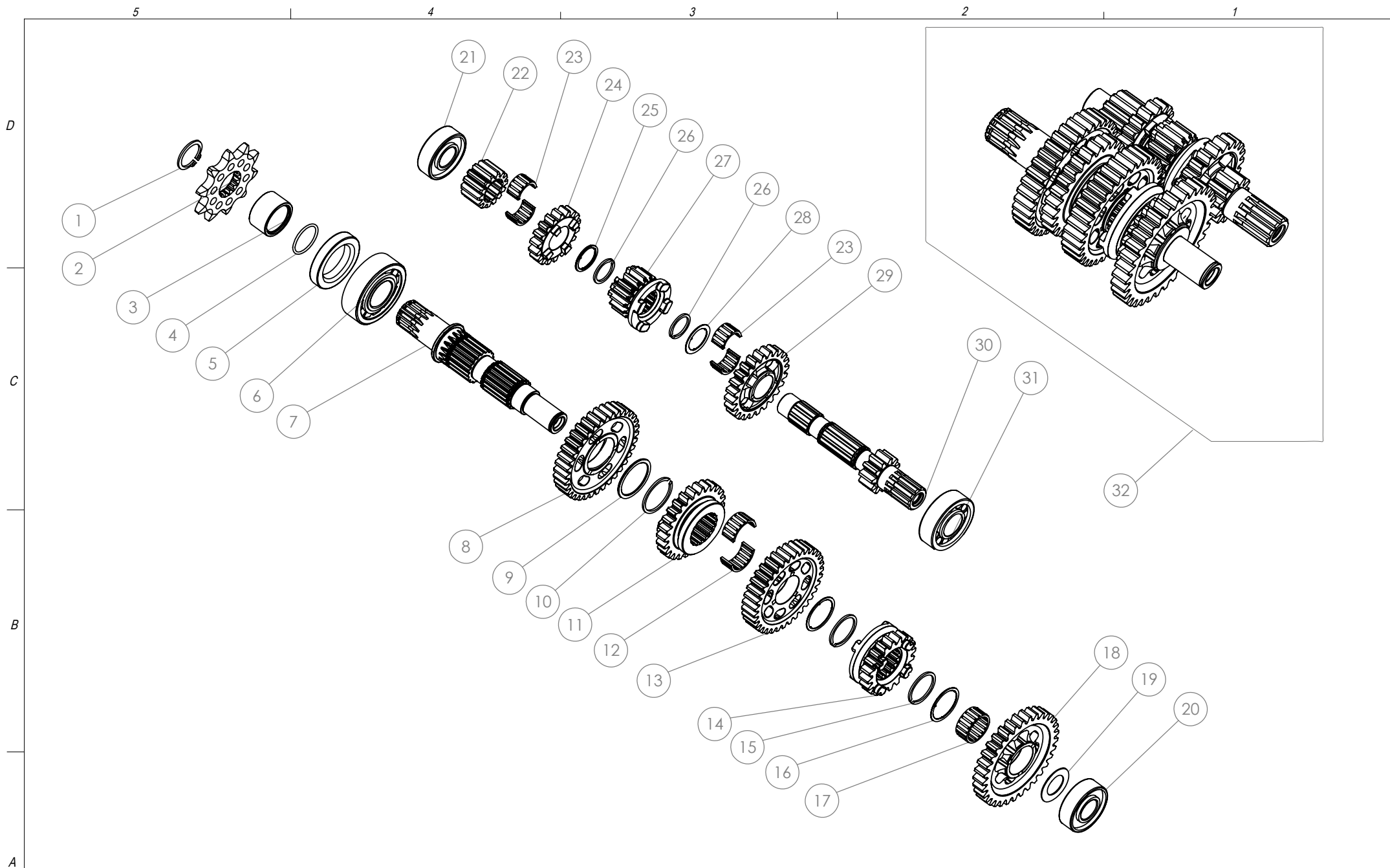
A



Despiece TRRS Raga Racing 2018

| Nº | Código | Descripción | Description | Cantidad |
|----|-------------------|--|---|----------|
| 1 | 08001MT101 | Tornillo tapa encendido (rojo) | <i>Bolt, Ignition cover (red)</i> | 1 |
| 2 | 53015 | Tórica Encendido 12x1.5 Nbr | <i>O-ring, ignition cap 12x1.5 Nbr</i> | 1 |
| 3 | 50112 | Tornillo DIN 912 Allen M5x20 - Tapa Encendido | <i>Bolt, DIN 912 Allen M5x20 - Ignition cover</i> | 5 |
| 4 | 08002MT100 | Tapa encendido | <i>Ignition cover</i> | 1 |
| 5 | 08003MT100 | Junta Tapa Encendido | <i>Gasket, Ignition cover</i> | 1 |
| 6 | 52104 | Rodamiento Tapa Encendido 6003 | <i>Bearing, Ignition cover</i> | 1 |
| 7 | 70201 | Volante Magnético + Stator + Pick Up - (véase (02) en la lámina 09-IE-Inst. Eléctrica) | <i>Magneto flywheel , Stator and pickup - (see item (02) in drawing 09-IE electrical system</i> | 1 |
| 8 | 50121 | Tornillo Din 912 Allen M5X25 - Stator | <i>Bolt, DIN 912 Allen M5x25 - Stator</i> | 4 |
| 9 | 50122 | Tornillo Din 912 Allen M5X10 - Pick Up | <i>Bolt, DIN 912 Allen M5x10 - Pickup</i> | 2 |
| 10 | 08004MT100 | Tuerca Volante Magnético | <i>Nut, magneto flywheel</i> | 1 |
| 11 | 08005MT100 | Extractor Volante Magnético TRS | <i>Removal tool, Magneto flywheel TRS</i> | 1 |
| 12 | 70224 | Volante Magnético TRS | <i>Magneto flywheel TRS</i> | 1 |
| 13 | 70225 | Stator + Pick Up | <i>Stator and pickup</i> | 1 |





Despiece TRRS Raga Racing 2018

09 - CM - Cambio - Explosionado

| Nº | Código | Descripción | Description | Cantidad |
|----|------------|--|--|----------|
| 01 | 55012 | Circlip DIN-471 Ø19 | Circlip DIN-471 Ø19 | 1 |
| 02 | 09020MT100 | Piñon salida 10Z | Sprocket 10Z | 1 |
| 03 | 09021MT100 | Casquillo piñon salida | Bushing, sprocket | 1 |
| 04 | 53017 | Junta tórica Casquillo Piñon Salida 20X1,5 | O-ring, Bushing sprocket, 20X1,5 | 1 |
| 05 | 54010 | Retén Piñon Salida Doble Labio Ø26Ø40L7 | Double Lip Seal Ø26Ø40 L7 | 1 |
| 06 | 52111 | Rodamiento de bolas 6204-C | Bearing 6204-C | 1 |
| 07 | 09019MT100 | Eje Secundario | Countershaft | 1 |
| 08 | 09004MT100 | Piñón 2ª Secundario | Gear, 2nd, secondary | 1 |
| 09 | 09005MT100 | Arandela 30x25,1x1 Piñón 2ª Secundario | Washer, 30x25,1x1 Secondary 2nd gear | 1 |
| 10 | 55009 | Circlip SW 25x1.2 | Circlip, SW 25x1.2 | 1 |
| 11 | 09006MT100 | Piñón 4ª Secundario | Gear, 4th Secondary | 1 |
| 12 | 52509 | Rodamiento Agujas Partido K18x22x10D | Needle bearing, two-piece K18x22x10D | 1 |
| 13 | 09008MT100 | Piñón 3ª Secundario | Gear, 3rd Secondary | 1 |
| 14 | 09009MT100 | Piñón 5ª Secundario | Gear, 5th Secondary | 1 |
| 15 | 55007 | Circlip SW 22x1.2 | Circlip, SW 22x1.2 | 2 |
| 16 | 09007MT100 | Arandela 26x22x0,5 Piñón 3ª Secundario Dentada | Toothed washer, 26x22x0,5, 3rd gear, Secondary | 2 |
| 17 | 52510 | Rodamiento Agujas K18x22x10 | Needle bearing, K18x22x10 | 1 |
| 18 | 09010MT100 | Piñón 1ª Secundario | Gear, 1st Secondary | 1 |
| 19 | 09024MT100 | Arandela 15,1x25,5x0,8 | Washer 15,1x25,5x0,8 | 1 |
| 20 | 52107 | Rodamiento 15,1x25,5x01 | Bearing 15,1x25,5x1 | 1 |
| 21 | 52201 | Rodamiento Primario Izquierdo 7202-B-Tvp | Bearing, Primary left 7202-B-TVP | 1 |
| 22 | 09012MT100 | Piñón 2ª Primario | Gear, 2nd Primary | 1 |
| 23 | 52511 | Rodamiento Agujas Partido K14x18x10D | Needle bearing, two-piece K14x18x10D | 2 |
| 24 | 09013MT100 | Piñón 4ª Primario | Gear, 4th Primary | 1 |
| 25 | 09014MT100 | Arandela 20x16,65x1 Primario Dentada | Toothed washer, 20x16,65x1 Primary | 1 |
| 26 | 55008 | SW 16 Circlip 16X1.2 | Circlip, SW 16 - 16x1.2 | 2 |
| 27 | 09015MT100 | Piñón 3ª Primario | Gear, 3rd Primary | 1 |
| 28 | 09016MT100 | Arandela 22,5X16,65X0,5 Dentada | Toothed washer, 22.5x16.65x0.5 | 1 |
| 29 | 09017MT100 | Piñón 5ª Primario | Gear, 5th Primary | 1 |



Despiece TRRS Raga Racing 2018

| Nº | Código | Descripción | Description | Cantidad |
|----|-------------------|--|---|----------|
| 30 | 09018MT100 | Eje Primario | <i>Primary shaft</i> | 1 |
| 31 | 52301 | Rodamiento Primario Derecho Nj203-E-Tvp2 | <i>Bearing, Primary right NJ203-E-TVP2</i> | 1 |
| 32 | 09025MT100 | Conjunto Piñones y Ejes Cambio 2018 | <i>Kit, Gears and Shafts (Gearbox) 2018</i> | 1 |

