

Manual de Despiece   
Exclusivo Competición  
Parts Book   
Exclusive Competition

**TRRS** RAGA RACING 

**XTRACK**

  
**ELECTRIC START**

250-280-300

2023



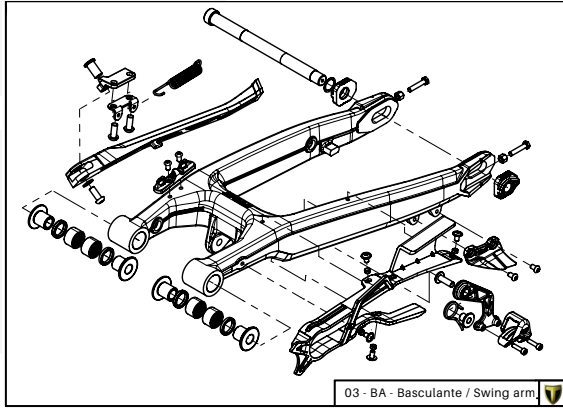
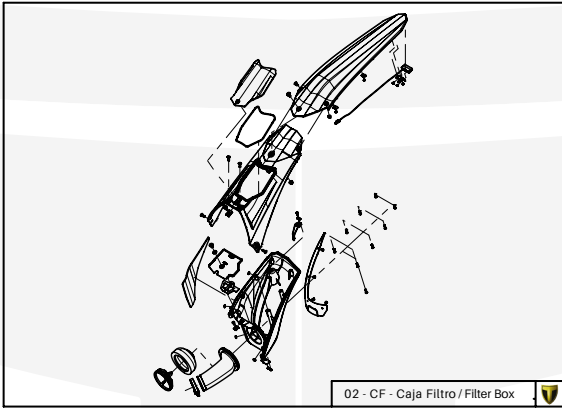
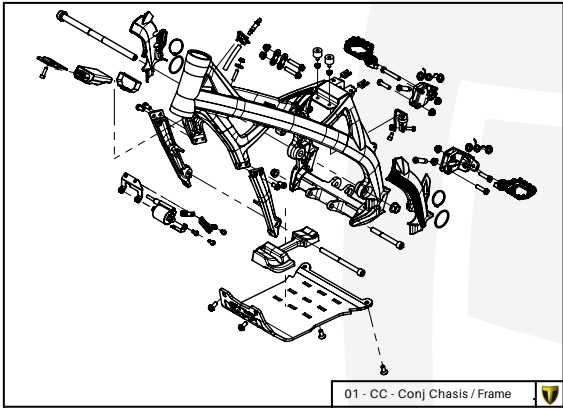
Imagen: Moto exclusivamente para competición y circuito cerrado.  
Picture: Motorcycle only for competition and closed circuit.



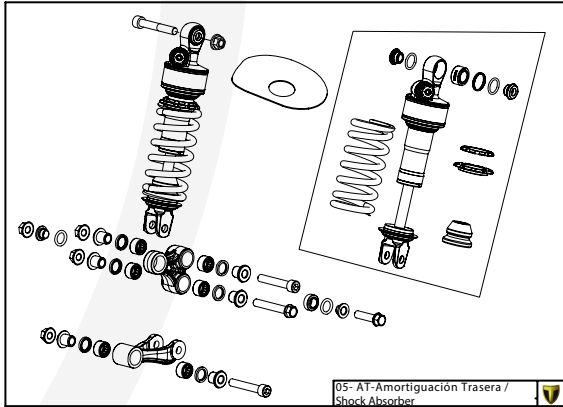
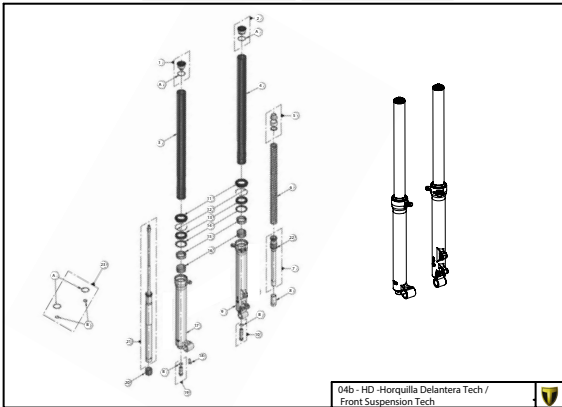
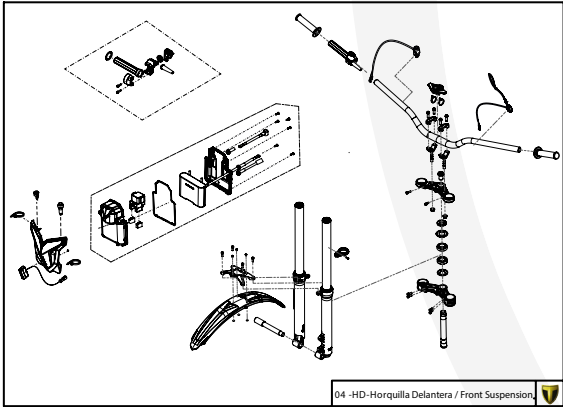
**TRRS**  
MOTORCYCLES

# Despiece TRRS Raga Racing 2023 Electric Start

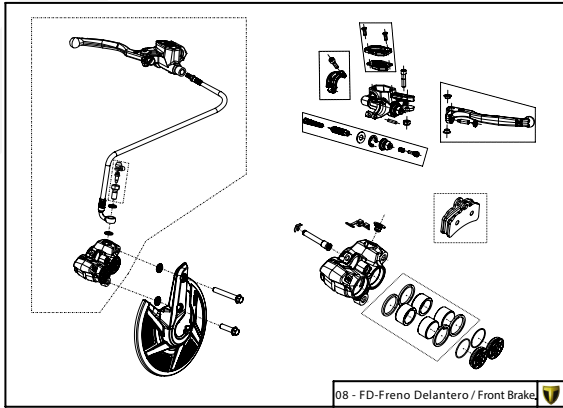
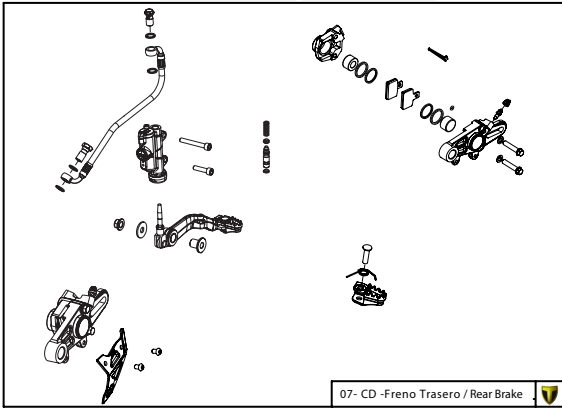
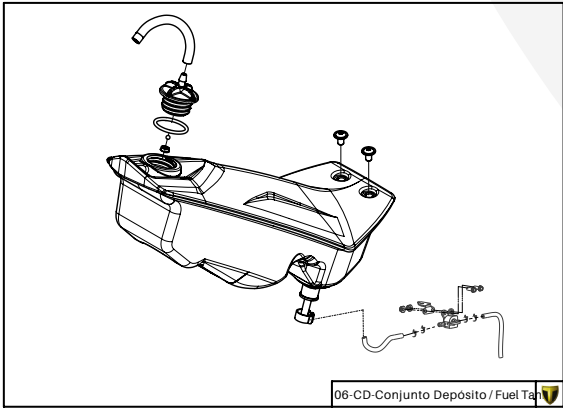
D



C



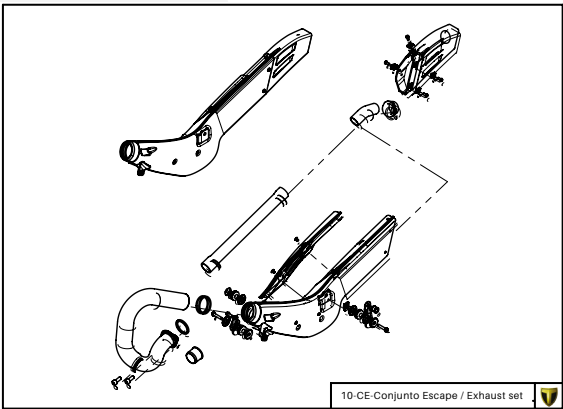
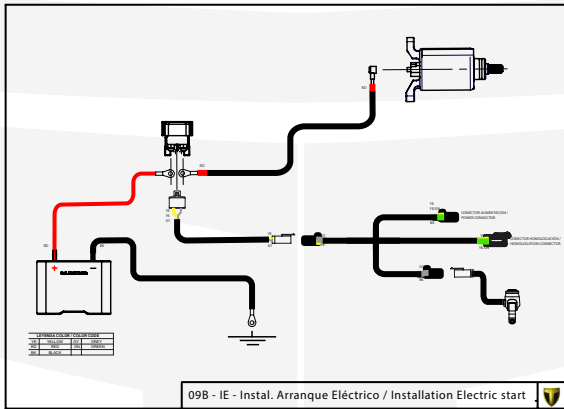
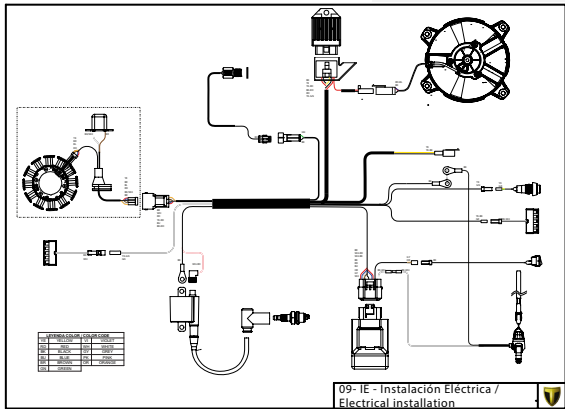
B



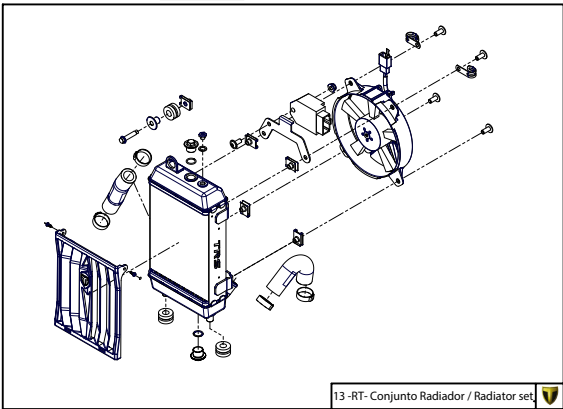
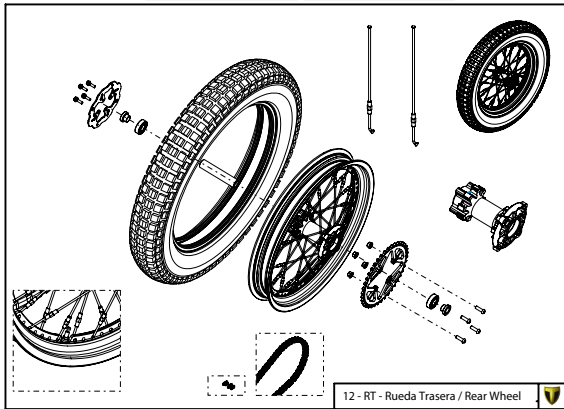
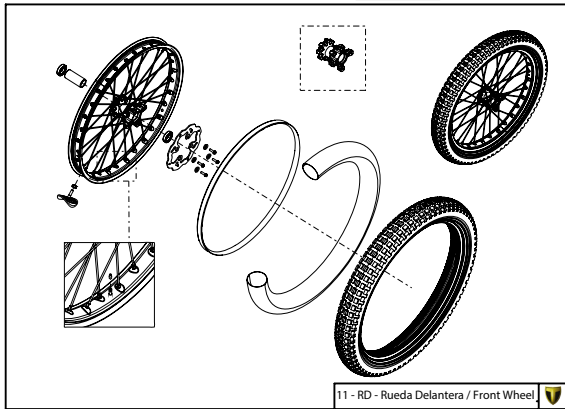
A

# Despiece TRRS Raga Racing 2023 Electric Start

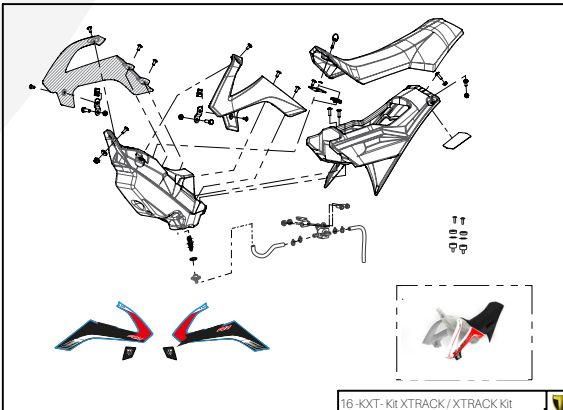
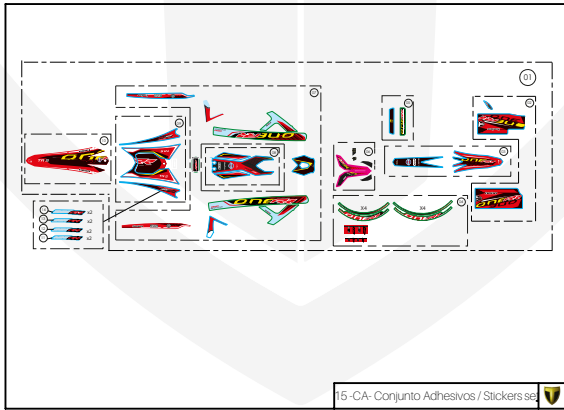
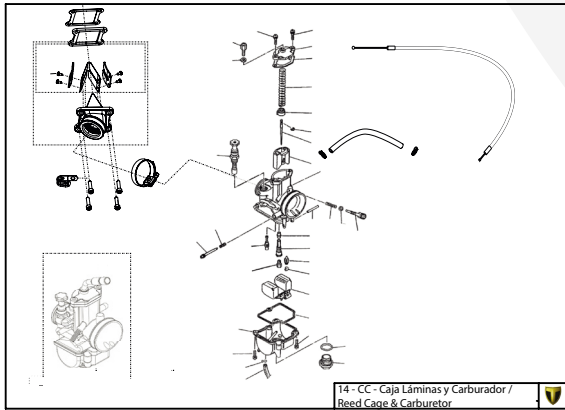
D



C



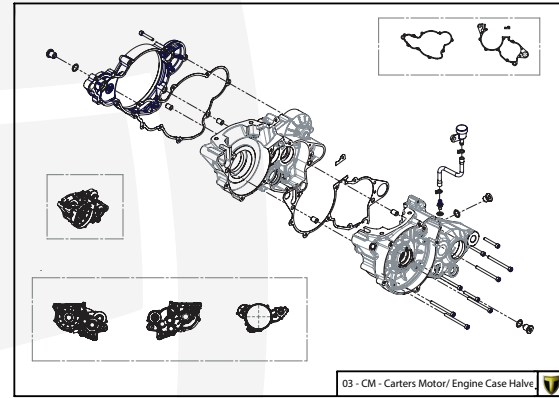
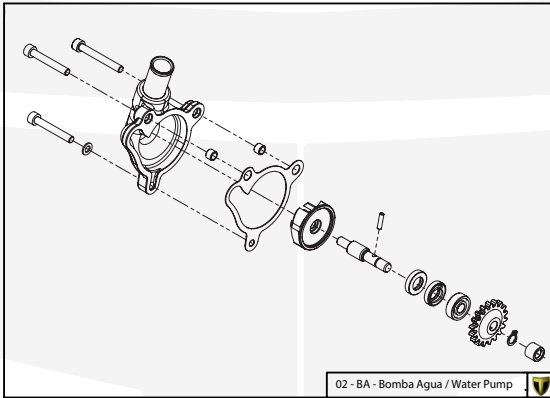
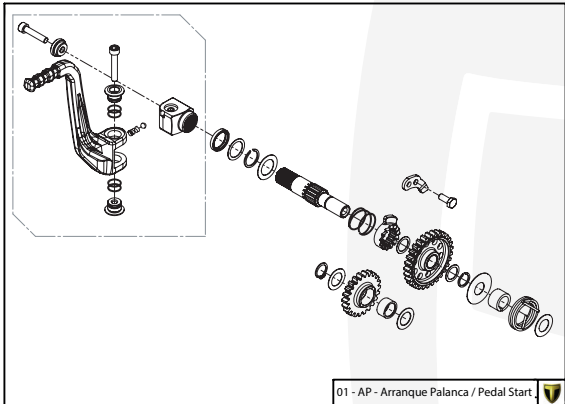
B



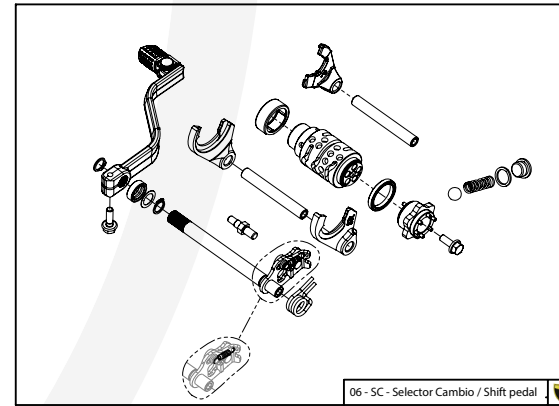
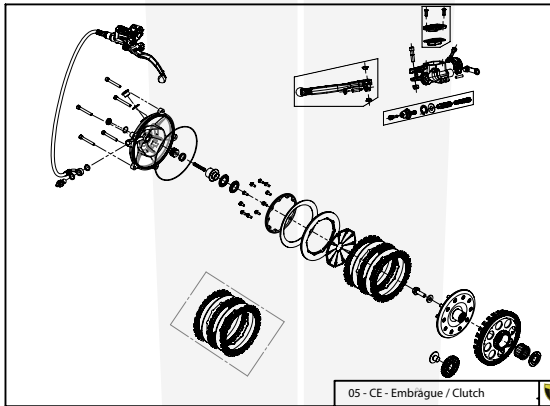
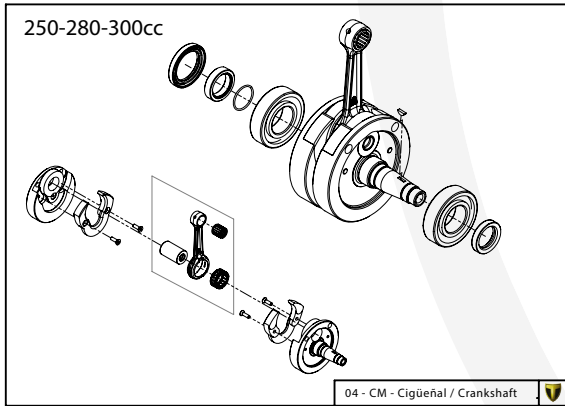
A

# Despiece TRRS Raga Racing 2023 Electric Start

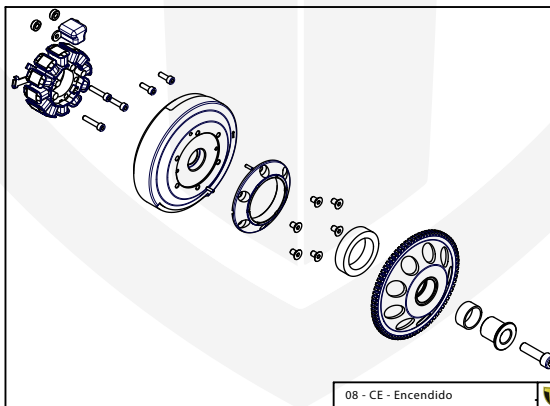
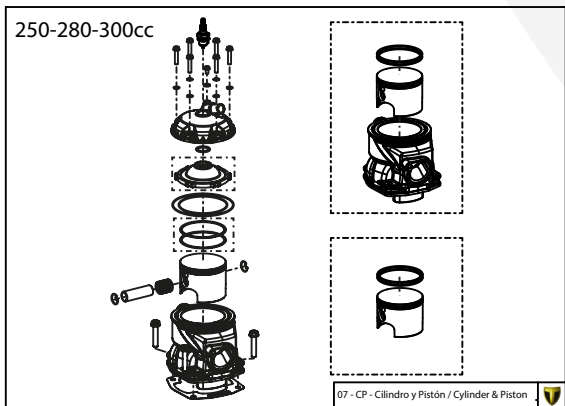
D



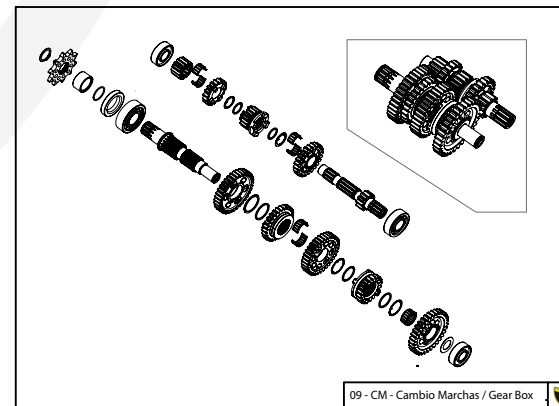
C



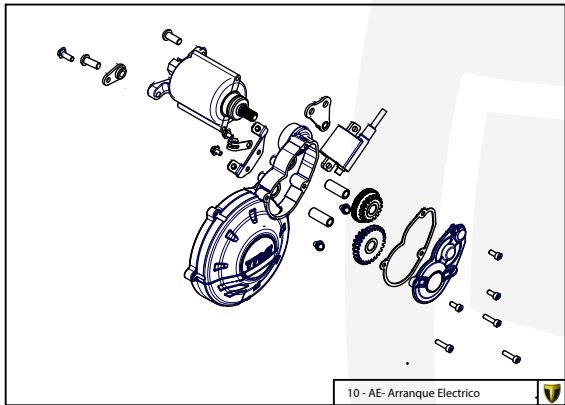
B



A



Despiece TRRS Raga Racing 2023 Electric Start



D

C

B

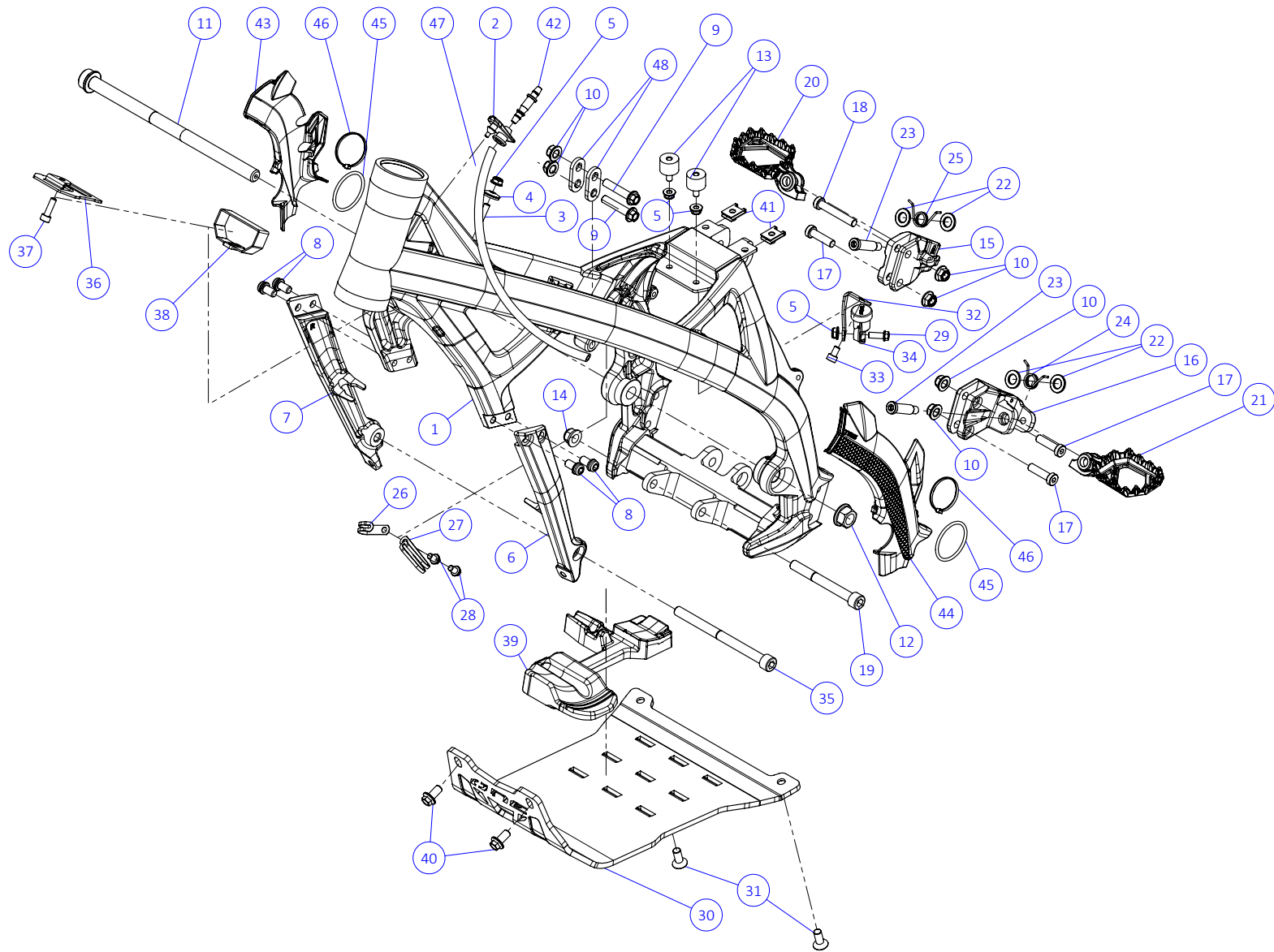
A

D

C

B

A



## Despiece TRRS Raga Racing 2023 Electric Start

## 01 - CH - Conjunto Chasis / Frame Set

| Nº | Código       | Descripción                                            | Description                                                   | Cantidad |
|----|--------------|--------------------------------------------------------|---------------------------------------------------------------|----------|
| 1  | 01001TR101   | Chasis (Blanco)                                        | Frame (White)                                                 | 1        |
| 2  | 01002TR100   | Pasamuro Tubo Desvaporizador                           | Vent hose connection plate                                    | 1        |
| 3  | 01003TR100   | Esparrago Roscado M6 Depósito Gasolina                 | Fuel tank mounting stud, M6                                   | 1        |
| 4  | 56901        | Arandela Metal - Goma Depósito Gasolina                | Washer, rubber-metal, fuel tank                               | 1        |
| 5  | 51501        | Tuerca autoblocante M6                                 | Locknut M6                                                    | 4        |
| 6  | 01005TR105   | Brazo izquierdo chasis (Pintado rojo)                  | Front left subframe (Red painted)                             | 1        |
| 7  | 01004TR105   | Brazo derecho chasis (Pintado rojo)                    | Front right subframe (Red painted)                            | 1        |
| 8  | 50801        | Tornillo allen M8x14mm                                 | Allen, 8x14mm                                                 | 4        |
| 9  | 50901        | Tornillo hexagonal con arandela M8x40                  | Bolt M8x40                                                    | 2        |
| 10 | 51502        | Tuerca autoblocante M8                                 | Nut. locking type, M8 engine                                  | 6        |
| 11 | 01012TR100   | Eje Basculante                                         | Swing arm axle                                                | 1        |
| 12 | 01007TR100   | Tuerca eje basculante                                  | Nut, swing-arm shaft                                          | 1        |
| 13 | 63001        | Silentblock M6 20x15                                   | Silentblock M6 20x15                                          | 2        |
| 14 | 51503        | Tuerca autoblocante M10x1.25                           | Locknut, M10x1.25                                             | 1        |
| 15 | 01010TR131   | Soporte estribera derecha (Mecanizada/Pintado negro)   | Support footrest right (Cnc/Black painted)                    | 1        |
| 16 | 01011TR131   | Soporte estribera izquierda (Mecanizada/Pintado negro) | Support footrest left (Cnc/Black painted)                     | 1        |
| 17 | 50808        | Tornillo M8x30 allen                                   | Bolt M8x30 allen                                              | 3        |
| 18 | 50809        | Tornillo M8x50 allen                                   | Bolt M8x50 allen                                              | 1        |
| 19 | 50105        | Tornillo DIN 912 M10x90x1,25 - Inferior Motor          | Bolt, DIN 912 M10x90x1.25 - engine lower                      | 1        |
| 20 | 01029TR100   | Estribera microfusión derecha                          | Microfusion footrest right side                               | 1        |
| 21 | 01028TR100   | Estribera microfusión izquierda                        | Microfusion footrest left side                                | 1        |
| 22 | 01034TR100   | Arandela estribo Ø10                                   | Washer Ø10 footrest                                           | 4        |
| 23 | 01035TR100   | Tornillo estribera                                     | Bolt footrest                                                 | 2        |
| 24 | 01037TR100-1 | Muelle estribera izquierda (pasador de Ø10)            | Spring footpeg left (pin Ø10)                                 | 1        |
| 25 | 01036TR100-1 | Muelle estribera derecha (pasador de Ø10)              | Spring footpeg right (pin Ø10)                                | 1        |
| 26 | 58001        | Abrazadera para Cableado 60mm                          | Clamp for cables, 60mm                                        | 1        |
| 27 | 58002        | Abrazadera para Cableado 100mm                         | Clamp for cables, 100mm                                       | 1        |
| 28 | 50902        | Tornillo DIN 6921 M6x10 Soporte Bobina Chasis          | Bolt, DIN 6921 M6x10, ignition coil mounting plate to chassis | 2        |



## Despiece TRRS Raga Racing 2023 Electric Start

## 01 - CH - Conjunto Chasis / Frame Set

| Nº | Código     | Descripción                                            | Description                                          | Cantidad |
|----|------------|--------------------------------------------------------|------------------------------------------------------|----------|
| 29 | 50903      | Tornillo hexagonal con valona M6x16                    | Bolt hexagonal with washer M6x16                     | 1        |
| 30 | 01038TR100 | Protector carter estriado ONE II                       | Skid plate ONE II                                    | 1        |
| 31 | 50307      | Tornillo avellanado M8x20                              | Screw countersunk head, M8x20                        | 2        |
| 32 | 01013TR101 | Soporte deposito freno trasero                         | Support, rear brake fluid reservoir                  | 1        |
| 33 | 50101      | Tornillo DIN 912 M6x10 - Soporte Depósito Aceite Freno | Bolt, DIN 912 M6x10 - Support, brake fluid reservoir | 1        |
| 34 | 01018TR100 | Depósito desvaporizador                                | Reservoir, ventilator                                | 1        |
| 35 | 50102      | Tornillo allen M10x130                                 | Bolt allen, M10x130                                  | 1        |
| 36 | 01014TR100 | Soporte CDI                                            | CDI support                                          | 1        |
| 37 | 50104      | Tornillo DIN 912 M6x20 - Soporte Chapa CDI             | Bolt, DIN 912 M6x20 - CDI mounting plate             | 1        |
| 38 | 58012      | Velcro CDI                                             | CDI hook and loop fastening strap                    | 1        |
| 39 | 01039TR100 | Goma protector cárter TRRS                             | Crankcase rubber protection TRRS                     | 1        |
| 40 | 50904      | Tornillo M8x16 (10.9)                                  | Bolt, M8x16 (10.9)                                   | 2        |
| 41 | 51301      | Tuerca rápida universal M6                             | Speed-nut, universal M6                              | 2        |
| 42 | 01023TR100 | Tubo desvaporizador pasamuro                           | Plug fuel tube pipe fuel vent                        | 1        |
| 43 | 01026TR100 | Protector chasis lateral derecho                       | Frame protection right side                          | 1        |
| 44 | 01027TR100 | Protector chasis lateral izquierdo                     | Frame protection left side                           | 1        |
| 45 | 53024      | Torica 40x3 (negro)                                    | O-ring 40x3 (black)                                  | 2        |
| 46 | 58006      | Brida Plástico 3,6x200                                 | Cable tie 3,6x200                                    | 2        |
| 47 | 62103      | Tubo goma desvaporizador pasamuros chasis              | Rubber hose, frame fuel vent                         | 1        |
| 48 | 01006TR100 | Tirante motor                                          | Engine support                                       | 2        |



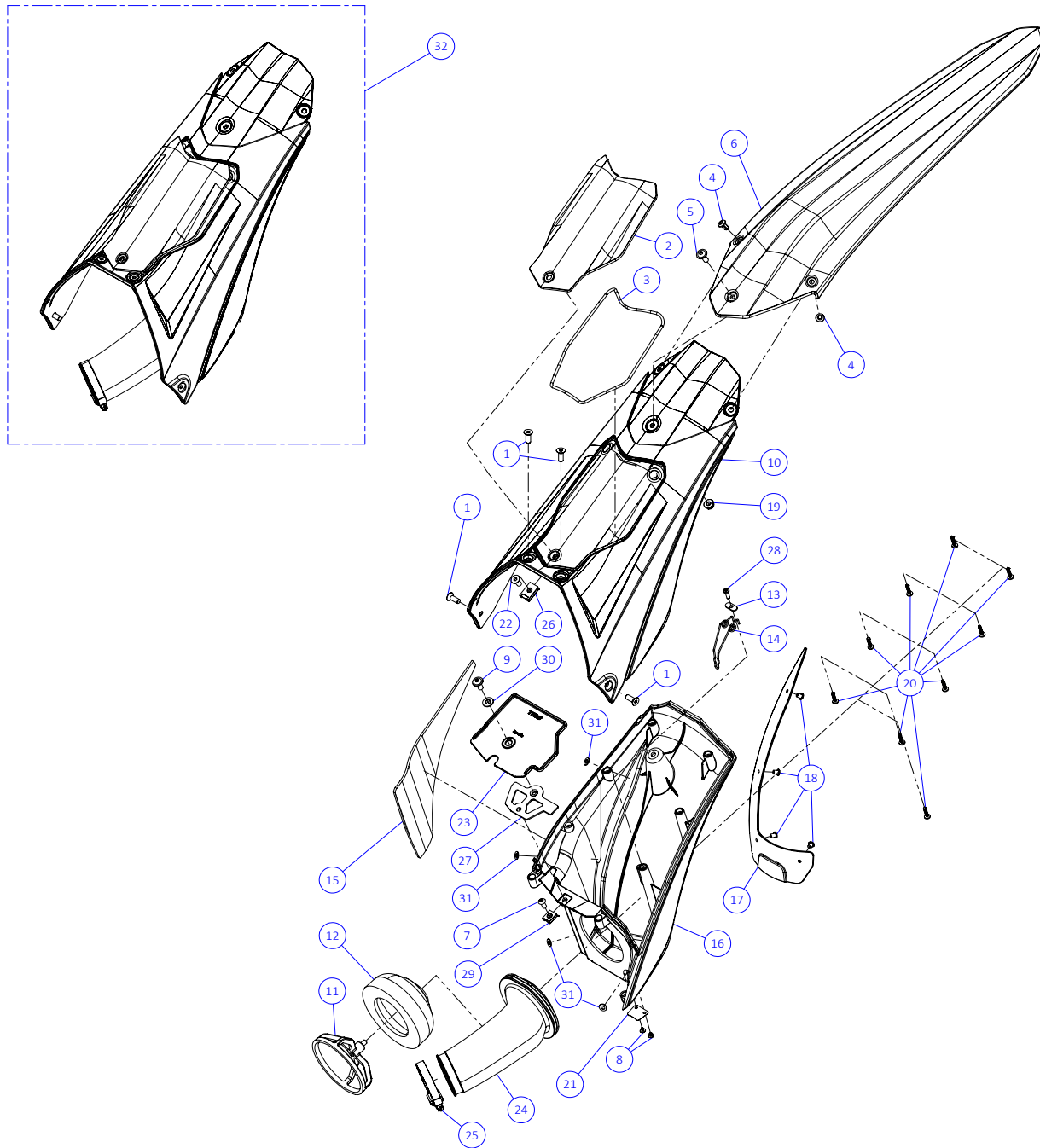


D

C

B

A



## Despiece TRRS Raga Racing 2023 Electric Start

## 02 - CF - Caja Filtro / Filter Box

| Nº | Código     | Descripción                                       | Description                                      | Cantidad |
|----|------------|---------------------------------------------------|--------------------------------------------------|----------|
| 1  | 50306      | Tornillo avellanado M6x16                         | Bolt countersunk M6x16                           | 4        |
| 2  | 02001TR101 | Tapa caja filtro (Blanca)                         | Cover filter box (White)                         | 1        |
| 3  | 02002TR100 | Junta tapa filtro aire                            | Seal air filter cover                            | 1        |
| 4  | 65001      | Remache plástico 6x12                             | Plastic rivot 6x12                               | 2        |
| 5  | 50202      | Tornillo DIN 7380-fl M6x16 - Guardabarros trasero | Bolt, DIN 7380-fl M6x16 - Rear mudguard (fender) | 1        |
| 6  | 02003TR100 | Guardabarros trasero                              | Rear mudguard (fender)                           | 1        |
| 7  | 50210      | Tornillo alomado allen M5x12                      | Bolt allen M5x12                                 | 1        |
| 8  | 50601      | Tornillo rosca chapa DIN 7981 2,9x6,5             | Screw, DIN 7981 2.9x6,5                          | 2        |
| 9  | 50209      | Tornillo allen con valona M6x14                   | Screw allen with washer M6x14                    | 1        |
| 10 | 02024TR100 | Caja filtro aire superior                         | Air filter box, upper part                       | 1        |
| 11 | 02006TR100 | Jaula filtro aire                                 | Cage aire filter                                 | 1        |
| 12 | 02007TR100 | Espuma filtro aire con goma                       | Air filter element with groomet                  | 1        |
| 13 | 02008TR100 | Fijacion muelle filtro                            | Fixing filter spring                             | 1        |
| 14 | 02009TR100 | Muelle fijación espuma filtro                     | Spring, air filter retention                     | 1        |
| 15 | 02011TR100 | Protector anticalórico - Caja filtro              | Heat shield - air filter box                     | 1        |
| 16 | 02025TR100 | Caja filtro aire inferior negra                   | Air filter box bottom part black                 | 1        |
| 17 | 02018TR100 | Protector caja filtro                             | Protector, air filter box                        | 1        |
| 18 | 65004      | Remache negro 4,8x12mm                            | Black Rivet, 4.8x12mm                            | 4        |
| 19 | 51501      | Tuerca autoblocante M6                            | Locknut M6                                       | 1        |
| 20 | 50603      | Tornillo rosca 3,9x19                             | Screw 3.9x19                                     | 9        |
| 21 | 02014TR100 | Lámina desagüe - Caja filtro                      | Drain flap, air filter box                       | 1        |
| 22 | 50302      | Tornillo avellanado M6x14                         | Bolt countersunk M6x14                           | 1        |
| 23 | 02026TR100 | Deflector caja filtro aire                        | Air box baffle                                   | 1        |
| 24 | 02017TR100 | Tobera - Caja filtro                              | Intake hose, air filter box                      | 1        |
| 25 | 58003      | Abrazadera - Norma 40-60                          | Clamp - Norma 40-60                              | 1        |
| 26 | 51301      | Tuerca rápida universal M6                        | Universal speed nut M6                           | 1        |
| 27 | 02027TR100 | Soporte deflector caja filtro aire                | Air box baffle plate                             | 2        |
| 28 | 50607      | Tornillo rosca chapa DIN 7981 4,2x13              | Screw, course thread DIN 7981 4,2x13             | 1        |
| 29 | 51302      | Tuerca rápida universal M5                        | Speed nut, universal M5                          | 1        |



## Despiece TRRS Raga Racing 2023 Electric Start

## 02 - CF - Caja Filtro / Filter Box

| Nº | Código            | Descripción                                    | Description                                    | Cantidad |
|----|-------------------|------------------------------------------------|------------------------------------------------|----------|
| 30 | <b>02031TR100</b> | Casquillo deflector caja filtro                | <i>Bushing air box baffle</i>                  | 1        |
| 31 | <b>56301</b>      | Arandela Ø5                                    | <i>Washer Ø5</i>                               | 4        |
| 32 | <b>02000TR101</b> | Conjunto caja filtro aire (Tapa filtro blanca) | <i>Air filter box kit (cover filter withe)</i> | 1        |

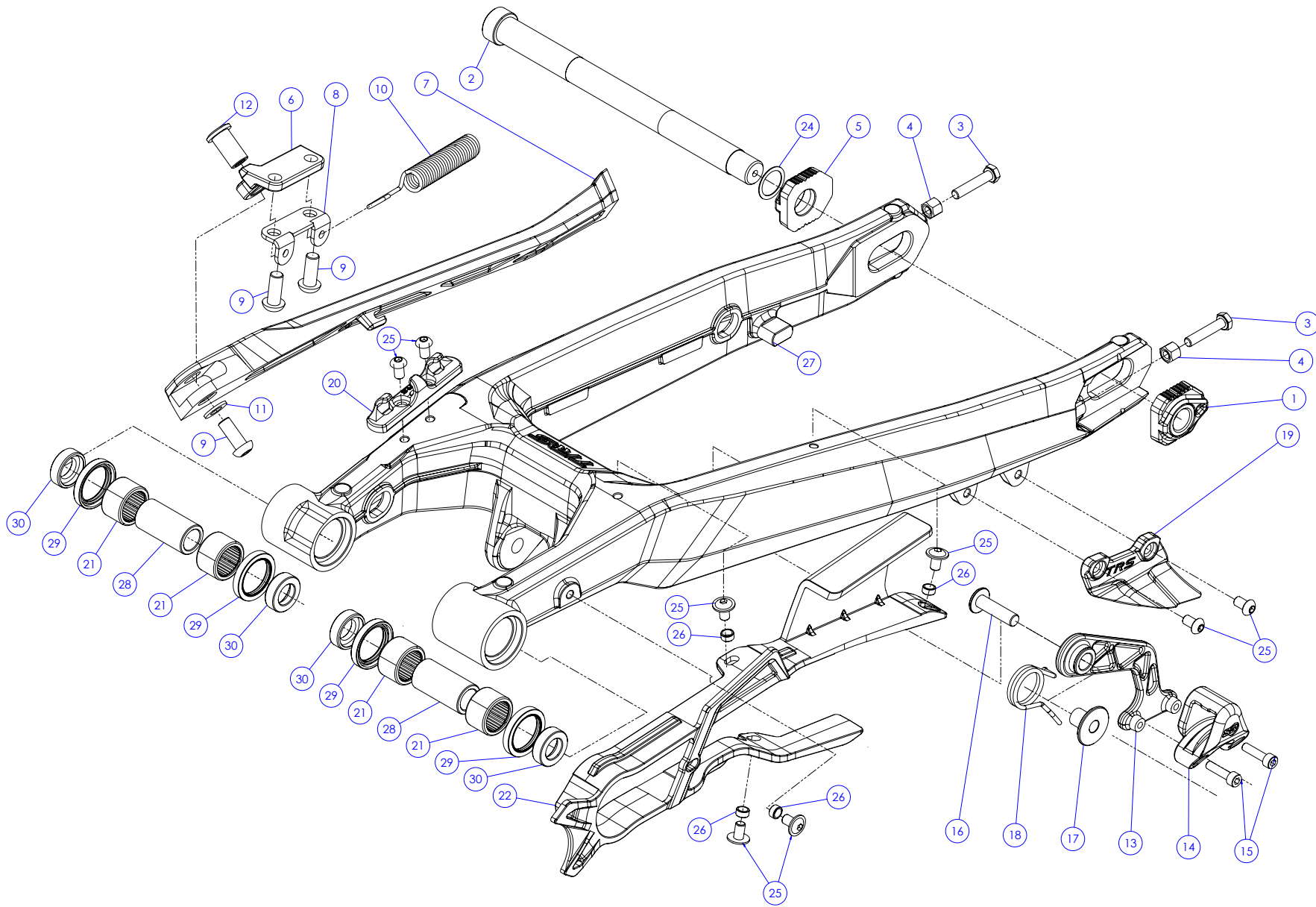


D

C

B

A



## Despiece TRRS Raga Racing 2023 Electric Start

## 03 - BA - Basculante / Swing Arm

| Nº | Código     | Descripción                            | Description                         | Cantidad |
|----|------------|----------------------------------------|-------------------------------------|----------|
| 1  | 03010TR100 | Tensor eje rueda trasera roscado       | Tensioner threaded, rear wheel axle | 1        |
| 2  | 03008TR100 | Eje rueda trasera                      | Axle, rear wheel                    | 1        |
| 3  | 50501      | Tornillo DIN 933 M6 - Tensor Eje Rueda | BOLT DIN 933 M6X30 10.9             | 2        |
| 4  | 51103      | Tuerca DIN 6330 M6 - Tensor Eje Rueda  | HEX NUT DIN 6330 M6 10.9            | 2        |
| 5  | 03009TR100 | Tensor eje rueda                       | Tensioner, rear axle side           | 1        |
| 6  | 03003TR100 | Soporte caballete                      | Side-stand support                  | 1        |
| 7  | 03006TR100 | Caballete                              | Side stand                          | 1        |
| 8  | 03005TR100 | Soporte muelle caballete               | Side stand spring support           | 1        |
| 9  | 50201      | Tornillo allen alomado M8x20           | Bolt allen M8x20                    | 3        |
| 10 | 03007TR100 | Muelle caballete                       | Spring, side-stand                  | 1        |
| 11 | 56303      | Arandela M8 - Pasador Estribo          | Washer, M8                          | 1        |
| 12 | 03004TR100 | Bulon caballete                        | Pin side stand                      | 1        |
| 13 | 03020TR100 | Palanca remachada tensor cadena        | Chain tensioner riveted             | 1        |
| 14 | 70102      | Goma Tensor                            | Rubber block, chain tensioner       | 1        |
| 15 | 50112      | Tornillo allen M5x20                   | Bolt, allen M5x20                   | 2        |
| 16 | 50217      | Tornillo allen con valona M8x30        | Screw allen with washer M8x30       | 1        |
| 17 | 03029TR100 | Casquillo tensor cadena II             | Chain tensioner bushing II          | 1        |
| 18 | 03030TR100 | Muelle tensor cadena II                | Chain tension spring II             | 1        |
| 19 | 03011TR101 | Protector corona                       | Sprocket protector                  | 1        |
| 20 | 03017TR100 | Guía latiguillo freno trasero          | Guide, brake hose                   | 1        |
| 21 | 52501      | Rodamiento basculante 20x16            | Bearing, swing-arm 20x16            | 4        |
| 22 | 03015TR100 | Guía Cadena                            | Chain guide                         | 1        |
| 23 | 50203      | Tornillo allen con arandela M6x10      | Bolt allen with washer M6x10        | 4        |
| 24 | 03016TR100 | Arandela Eje Rueda Trasera 22x17x0,5   | Washer, 22x17x0,5                   | 1        |
| 25 | 50204      | Tornillo allen cabeza redonda M6x10    | Bolt, allen round head M6x10        | 4        |
| 26 | 57007      | Casquillo Ø6x8x4                       | Bushing Ø6x8x4                      | 4        |
| 27 | 03028TR100 | Basculante II (Dorado)                 | Swing arm II (gold painted)         | 1        |
| 28 | 03025TR100 | Bulon basculante                       | Swing arm pin                       | 2        |
| 29 | 54012      | Reten basculante 24x32x5 KC            | Seal swing arm 24x32x5 KC           | 4        |
| 30 | 03027TR100 | Casquillo reten basculante             | Bushing seal swing arm              | 4        |

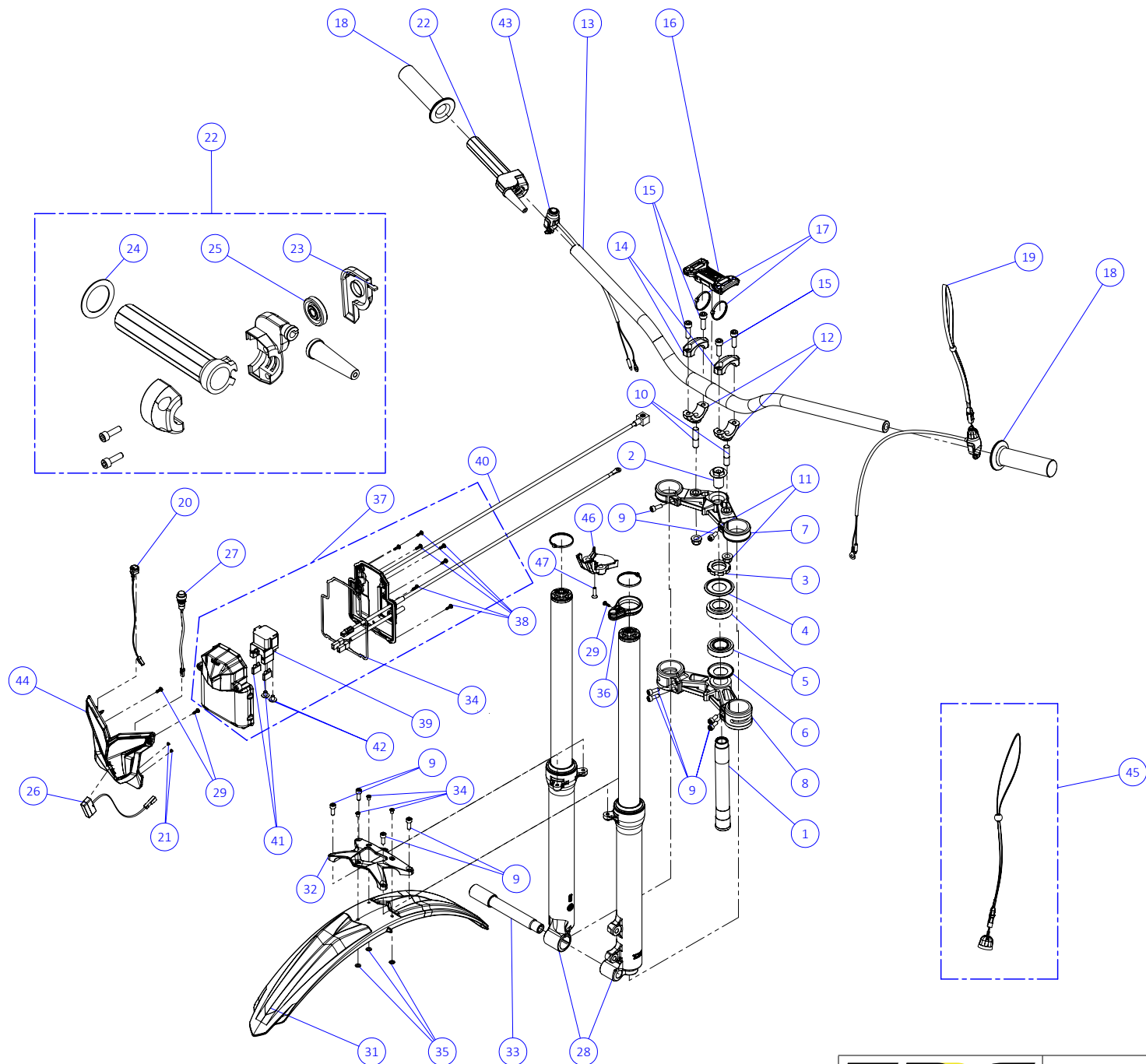


D

C

B

A



## Despiece TRRS Raga Racing 2023 Electric Start

## 04 - HD - Horquilla Delantera / Front Suspension

| Nº | Código     | Descripción                                                                   | Description                                                                   | Cantidad |
|----|------------|-------------------------------------------------------------------------------|-------------------------------------------------------------------------------|----------|
| 1  | 04016TR100 | Eje pipa dirección                                                            | Steering stem (shaft)                                                         | 1        |
| 2  | 04010TR100 | Tornillo Eje Pipa Dirección                                                   | Bolt, steering stem (shaft)                                                   | 1        |
| 3  | 04012TR100 | Tuerca Pipa Dirección                                                         | Nut, steering stem (shaft)                                                    | 1        |
| 4  | 04013TR100 | Guardapolvos superior direccion                                               | Dust cover, upper steering                                                    | 1        |
| 5  | 52401      | Rodamiento 25-47-15                                                           | Bearing, 25-47-15                                                             | 2        |
| 6  | 04014TR100 | Guardapolvos Inferior                                                         | Dust cover, lower                                                             | 1        |
| 7  | 04017TR100 | Pletina superior suspensión mecanizada anodizada negra                        | Top triple clamp CNC black anodized                                           | 1        |
| 8  | 04018TR100 | Pletina inferior suspensión mecanizada anodizada negra                        | Bottom triple clamp CNC black anodized                                        | 1        |
| 9  | 50805      | Tornillo DIN 912 M6x16                                                        | Bolt, DIN 912 M6x16                                                           | 11       |
| 10 | 04009TR100 | Eje Brida Manillar                                                            | Shaft, handlebar clamp                                                        | 2        |
| 11 | 51503      | Tuerca autoblocante M10x1.25                                                  | Locknut, M10x1.25                                                             | 2        |
| 12 | 04008TR101 | Brida inferior manillar (Anodizado negro)                                     | Lower handlebar clamp (Black anodized)                                        | 2        |
| 13 | 70135      | Manillar ONE RR                                                               | Handlebar ONE RR                                                              | 1        |
| 14 | 04007TR101 | Brida superior manillar (Anodizado negro)                                     | Upper handlebar clamp (Black anodized)                                        | 2        |
| 15 | 50806      | Tornillo allen M8x25 (10.9)                                                   | Bolt allen, M8x25 (10.9)                                                      | 4        |
| 16 | 04035TR100 | Protector manillar TRRS                                                       | Handlebar protector TRRS                                                      | 1        |
| 17 | 58006      | Brida Plástico 3,6x200                                                        | Cable tie 3,6x200                                                             | 2        |
| 18 | 70126      | Puño HEBO                                                                     | Hand grip, HEBO                                                               | 2        |
| 19 | 70229      | Botón paro racing, Hombre al agua (NO)-(véase en lámina 09 / Chasis)          | Kill button engine with magnetic lanyard (NO) (see sheet 04 / Frame)          | 1        |
| 20 | 70208      | Interruptor Curva CDI - (véase (09) en la lámina 09-IE-Instalación Eléctrica) | Switch, CDI ignition curve - (see item 09 in drawing 09-IE electrical system) | 1        |
| 21 | 50604      | Tornillo Rosca Chapa DIN 7981 2x4                                             | Screw, course thread DIN 7981 2x4                                             | 2        |
| 22 | 70105      | Mando Gas                                                                     | Throttle control                                                              | 1        |
| 23 | 70106      | Tapa Mando Gas                                                                | Cap, throttle cable wheel                                                     | 1        |
| 24 | 70108      | Arandela Mando Gas                                                            | Washer, throttle grip                                                         | 1        |
| 25 | 70107      | Rodillo Mando Gas                                                             | Cable wheel, throttle                                                         | 1        |
| 26 | 70209      | Led Delantero - (véase (10) en la lámina 09-IE-Instalación Eléctrica)         | LED lights, TRS - (see item 10 in drawing 09-IE electrical system)            | 1        |
| 27 | 70210      | Pulsador Led - (véase (11) en la lámina 09-IE-Instalación Eléctrica)          | Switch, led lamps(see sheet 04 / Frame)                                       | 1        |
| 28 | 04019TR100 | Conjunto Horquilla Delantera                                                  | Front suspension, complete                                                    | 1        |



## Despiece TRRS Raga Racing 2023 Electric Start

## 04 - HD - Horquilla Delantera / Front Suspension

| Nº | Código     | Descripción                                             | Description                                        | Cantidad |
|----|------------|---------------------------------------------------------|----------------------------------------------------|----------|
| 29 | 50608      | Tornillo rosca chapa 3,9x13                             | Screw, selftapping 3.9x13                          | 3        |
| 30 | 58006      | Brida Plástico 3,6x200                                  | Cable tie 3,6x200                                  | 2        |
| 31 | 04005TR100 | Guardabarros delantero                                  | Front mudguard                                     | 1        |
| 32 | 04004TR101 | Soporte guardabarros delantero anodizado negro          | Front mudguard holder black anodized               | 1        |
| 33 | 04003TR100 | Eje rueda delantera                                     | Axle, front wheel                                  | 1        |
| 34 | 65004      | Remache negro 4,8x12mm                                  | Black Rivet, 4.8x12mm                              | 3        |
| 35 | 56301      | Arandela Ø5                                             | Washer Ø5                                          | 3        |
| 36 | 04002TR100 | Brida guía latiguillo freno delantero                   | Guide front brake hose                             | 1        |
| 37 | 04028TR100 | Conjunto batería arranque eléctrico                     | Battery electric start set                         | 1        |
| 38 | 50608      | Tornillo rosca chapa 3,9x13                             | Screw, selftapping 3.9x13                          | 7        |
| 39 | 70245      | Relé arranque 12V                                       | Starter relay 12V                                  | 1        |
| 40 | 09010TR100 | Cable positivo relé/motor arranque trial                | Starter relay/starter motor cable trial            | 1        |
| 41 | 70246      | Fusible 30A                                             | Fuse 30A                                           | 2        |
| 42 | 50215      | Tornillo allen cabeza redonda M6x8                      | Bolt, allen round head M6x8                        | 2        |
| 43 | 09007TR100 | Pulsador de arranque con instalacion                    | Starter button with hardness                       | 1        |
| 44 | 04023TR101 | Careta luz arranque eléctrico roja                      | Head light mask electric start red                 | 1        |
| 45 | 70249      | Iman con correa para el hombre al agua (solo recambios) | Magnetic Lanyard for kill buton (only spare parts) | 1        |
| 46 | 04033TR100 | Guia cables batería arranque eléctrico                  | Guide wiring battery electric start                | 1        |
| 47 | 50310      | Tornillo M5x20 avellanado                               | Bolt M5x20 countersunk                             | 1        |



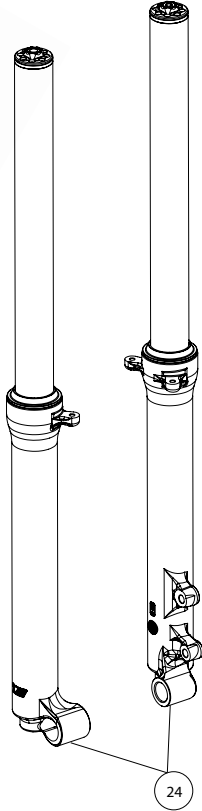
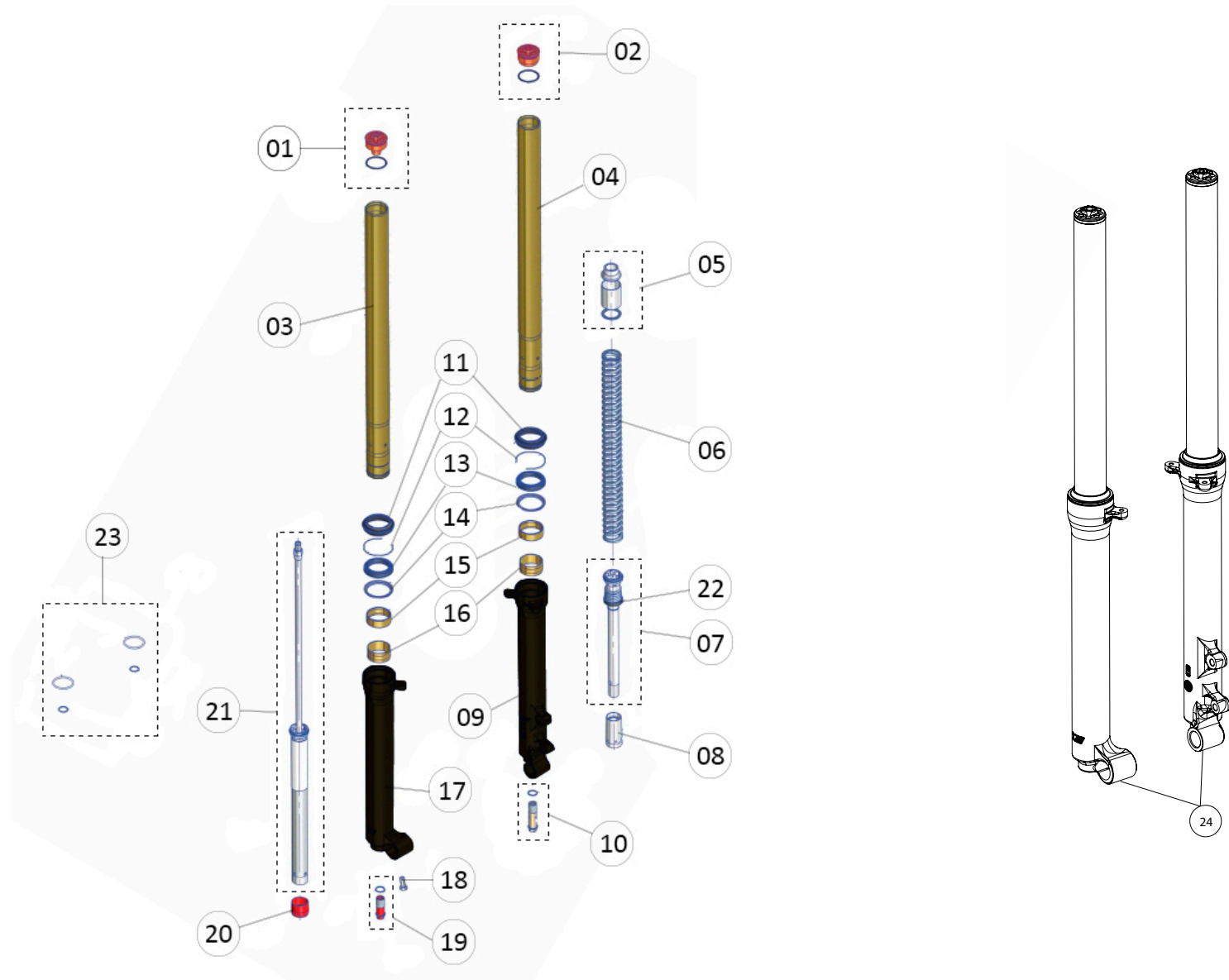


D

C

B

A



## Despiece TRRS Raga Racing 2023 Electric Start

04b - HD - Horquilla Delantera Tech / Front Suspension Tech

| Nº | Código     | Descripción                                                 | Description                       | Cantidad |
|----|------------|-------------------------------------------------------------|-----------------------------------|----------|
| 1  | 71001      | Cjto. tapon regulacion extension                            | Screw cap rebound set             | 1        |
| 2  | 71002      | Cjto. tapon regulacion precarga muelle                      | Screw cap preload spring set      | 1        |
| 3  | 71024      | Barra Suspension Derecha-Group Stanchion Tube Replay Right  | Stanchion Tube, Right side        | 1        |
| 4  | 71025      | Barra Suspension Izquierda-Group Stanchion Tube Replay Left | Stanchion Tube, Left side         | 1        |
| 5  | 71005      | Cto. Distanciadores Muelle-Group Spacers Spring             | Group, Spring spacers             | 1        |
| 6  | 71026      | Muelle Horquilla-Fork Spring (Progr. 3)                     | Fork Spring                       | 1        |
| 7  | 71007      | Cto.Mecanico Bombeo-Group Mechanical Pumping                | Group, dampening cartridge        | 1        |
| 8  | 71008      | Cono Limitador Izquierdo-Cone Limit Left                    | Alignment cone, Left              | 1        |
| 9  | 71027      | Botella Suspension Izquierda-Left Leg                       | Lower Leg, left                   | 1        |
| 10 | 71010      | Cto.Tornillo Regulacion-Needle Regulation Group             | Needle and Regulation Group       | 1        |
| 11 | 71011      | Guardapolvo horquilla                                       | Dust seal                         | 1        |
| 12 | 71012      | Circlip Tope Reten-Ring Stopper Oil Seal                    | Oil Seal retention clip           | 2        |
| 13 | 71013      | Reten Horquilla-Oil Seal                                    | Oil Seal                          | 2        |
| 14 | 71014      | Anillo Tope Glacier-Ring Stop Bushing Oil Seal              | Bushing stop ring                 | 2        |
| 15 | 71015      | Glacier Barra Horquilla-Bush Du Ø39XØ43X15                  | Bushing Du Ø39XØ43X15             | 2        |
| 16 | 71016      | Glacier Botella Horquilla-Bush Du Ø38XØ40X20                | Bushing Du Ø38XØ40X20             | 2        |
| 17 | 71028      | Botella Suspension Derecha-Right Leg (negro)                | Lower leg, Right (black)          | 1        |
| 18 | 71018      | Tornillo Allen-Screw Tceib M8X18 Din 7984                   | Bolt, Allen M8X18 Din 7984        | 1        |
| 19 | 71019      | Cto. Tornillo Regulacion- Group Lock Screw Hydraulic Pump   | Group, Hydraulic dampener end cap | 1        |
| 20 | 71020      | Cono Limitador Derecho-Cone Limit Right                     | Alignment cone,                   | 1        |
| 21 | 71029      | Cartucho Hidraulico-Group Cartridge                         | Group, Cartridge                  | 1        |
| 22 | 71022      | Anillo Tope Muelle-Support Ring For Spring Limit            | Guide Ring, Limit spring          | 1        |
| 23 | 71023      | Kit Toricas-Group Rings Seal                                | O-ring kit                        | 1        |
| 24 | 04019TR100 | Conjunto horquilla delantera                                | Front suspension, complete        | 1        |

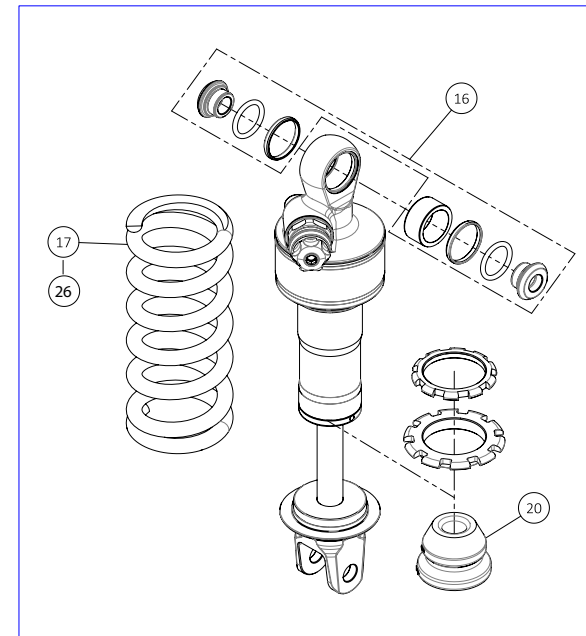
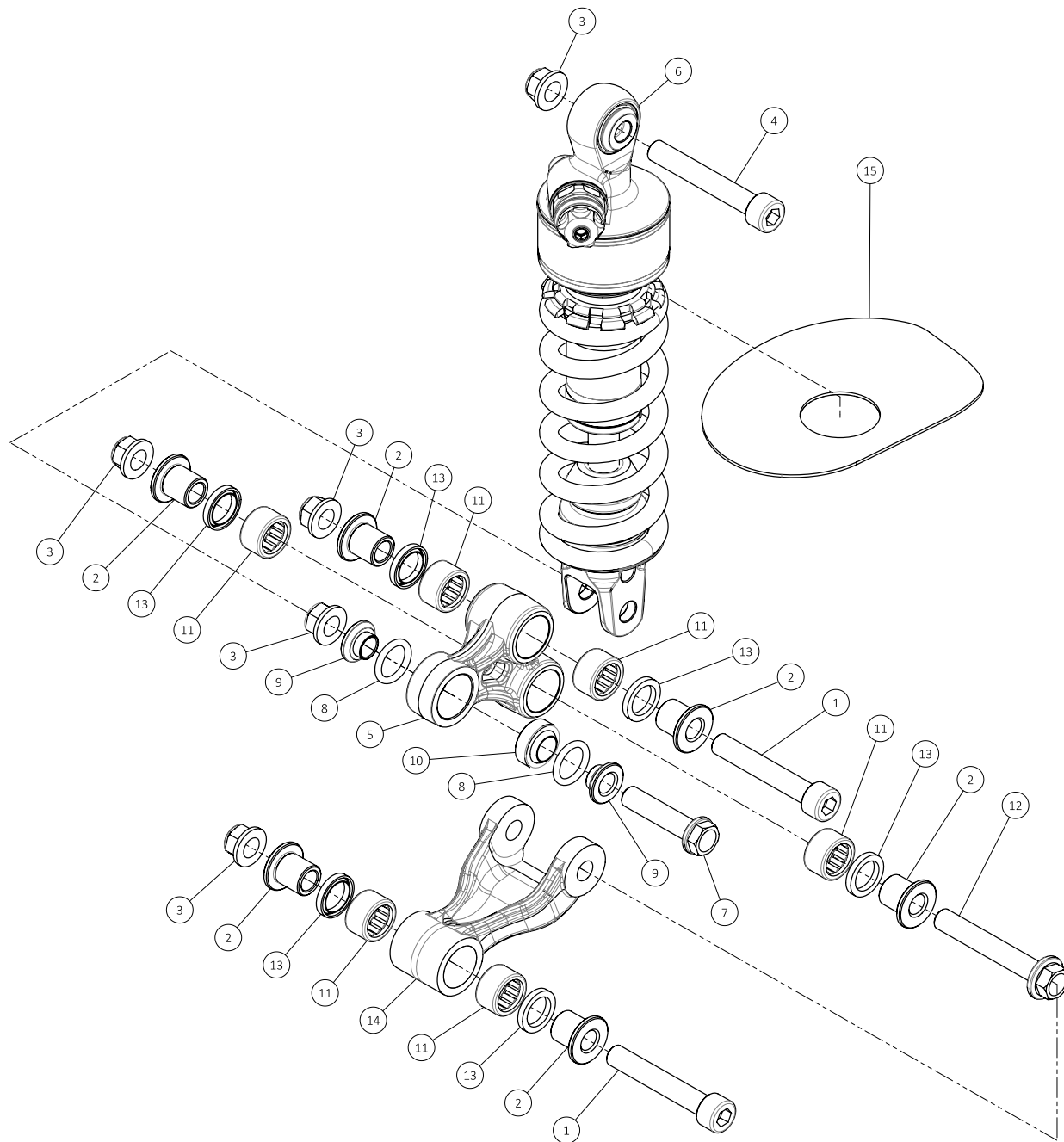


D

C

B

A



## Despiece TRRS Raga Racing 2023 Electric Start

## 05 - AT - Amortiguación Trasera / Shock absorber

| Nº | Código     | Descripción                                                              | Description                                                            | Cantidad |
|----|------------|--------------------------------------------------------------------------|------------------------------------------------------------------------|----------|
| 1  | 50108      | Tornillo M10x58 - 1,25 (10.9)                                            | Bolt, M10x58 - 1.25 (10.9)                                             | 2        |
| 2  | 05002TR100 | Casquillo trapecio                                                       | Bushing, linkage                                                       | 6        |
| 3  | 51503      | Tuerca autoblocante M10x1.25                                             | Locknut, M10x1.25                                                      | 5        |
| 4  | 50109      | Tornillo M10x65x1,25 (10.9)                                              | Bolt M10x65x1,25 (10.9)                                                | 1        |
| 5  | 05003TR100 | Trapecio                                                                 | Rocker link                                                            | 1        |
| 6  | 05007TR100 | Amortiguador Reiger 2 vias                                               | Shock absorber Reiger 2 way                                            | 1        |
| 7  | 50905      | Tornillo DIN 6921 M10x43 - 1,25                                          | Bolt, DIN 6921 M10x43 - 1.25                                           | 1        |
| 8  | 53002      | Tórica Trapecio - Amortiguador                                           | O-ring, linkage - Shock absorber                                       | 2        |
| 9  | 70501      | Casquillo Distanciador Trapecio - Amortiguador                           | Spacer bushing, linkage - Shock absorber                               | 2        |
| 10 | 66001      | Rótula Trapecio 12x22x12                                                 | Heim joint (rotary ball) 12x22x12 lower shock absorber                 | 1        |
| 11 | 52502      | Rodamiento agujas HN 1512 BGR                                            | Needle bearing, HN1512 BGR                                             | 6        |
| 12 | 50906      | Tornillo DIN 6921 M10x65 - 1.25                                          | Bolt, DIN 6921 M10x65 - 1.25                                           | 1        |
| 13 | 54002      | Retén 15x21x3                                                            | Seal, 15x21x3                                                          | 6        |
| 14 | 05004TR101 | Bieleta reforzada                                                        | Connecting link reinforced                                             | 1        |
| 15 | 05005TR100 | Goma Amortiguador - Caja Filtro                                          | Rubber shock absorber sealing flap - air filter box                    | 1        |
| 16 | 70514      | Kit Rótula 10x25, Tóricas y Distanciadores                               | Heim Joint 10x25 (rotary ball), O-ring and Spacers Kit                 | 1        |
| 17 | 70511      | Muelle amortiguador (1&2vias) 70N/mm (75-80 Kg) (sólo recambios)         | Spring, shock absorber (1&2ways) 70N/mm (75-80Kg) (only spareparts)    | 1        |
| 18 | 70512      | Muelle amortiguador (1&2vias) 67,5N/mm (65-75 Kg) (estándar)             | Spring, shock absorber (1&2ways) 67,5N/mm (65-75Kg) (standard)         | 1        |
| 19 | 70513      | Muelle amortiguador (1&2vias) 72,5N/mm (80-85 Kg) (sólo recambios)       | Spring, shock absorber (1&2ways) 72,5N/mm (80-85Kg) (only spareparts)  | 1        |
| 20 | 70515      | Tope Silentblock - Amortiguador Reiger                                   | Bump-stop, Reiger shock absorber                                       | 1        |
| 21 | 70518      | Muelle amortiguador (1&2vias) 80 N/mm (95-100 Kg) (sólo recambios)       | Spring, shock absorber (1&2ways) 80 N/mm (95-100 Kg) (only spareparts) | 1        |
| 22 | 70528      | Muelle amortiguador Reiger (1&2vias) 60N/mm (< 50Kg) (sólo recambios)    | Spring shock absorber (1&2ways) 60N/mm (< 50Kg) (only spareparts)      | 1        |
| 23 | 70529      | Muelle amortiguador Reiger (1&2vias) 62.5N/mm (50-60Kg) (sólo recambios) | Spring shock absorber (1&2ways) 62.5N/mm (50-60Kg) (only spareparts)   | 1        |
| 24 | 70530      | Muelle amortiguador Reiger (1&2vias) 65N/mm (60-65Kg) (sólo recambios)   | Spring shock absorber (1&2ways) 65N/mm (60-65Kg) (only spareparts)     | 1        |



## Despiece TRRS Raga Racing 2023 Electric Start

| Nº | Código       | Descripción                                                            | Description                                                                      | Cantidad |
|----|--------------|------------------------------------------------------------------------|----------------------------------------------------------------------------------|----------|
| 25 | <b>70531</b> | Muelle amortiguador Reiger (1&2vias) 75N/mm (85-95Kg) (sólo recambios) | <i>Spring shock absorber (1&amp;2ways) 75N/mm (85-95Kg) (only spare-parts)</i>   | 1        |
| 26 | <b>70532</b> | Muelle amortiguador Reiger (1&2vias) 85N/mm (>100Kg) (sólo recambios)  | <i>Spring shock absorber (1&amp;2ways) 85N/mm (&gt;100Kg) (only spare-parts)</i> | 1        |

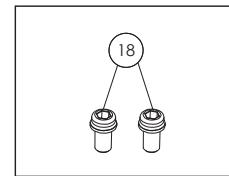
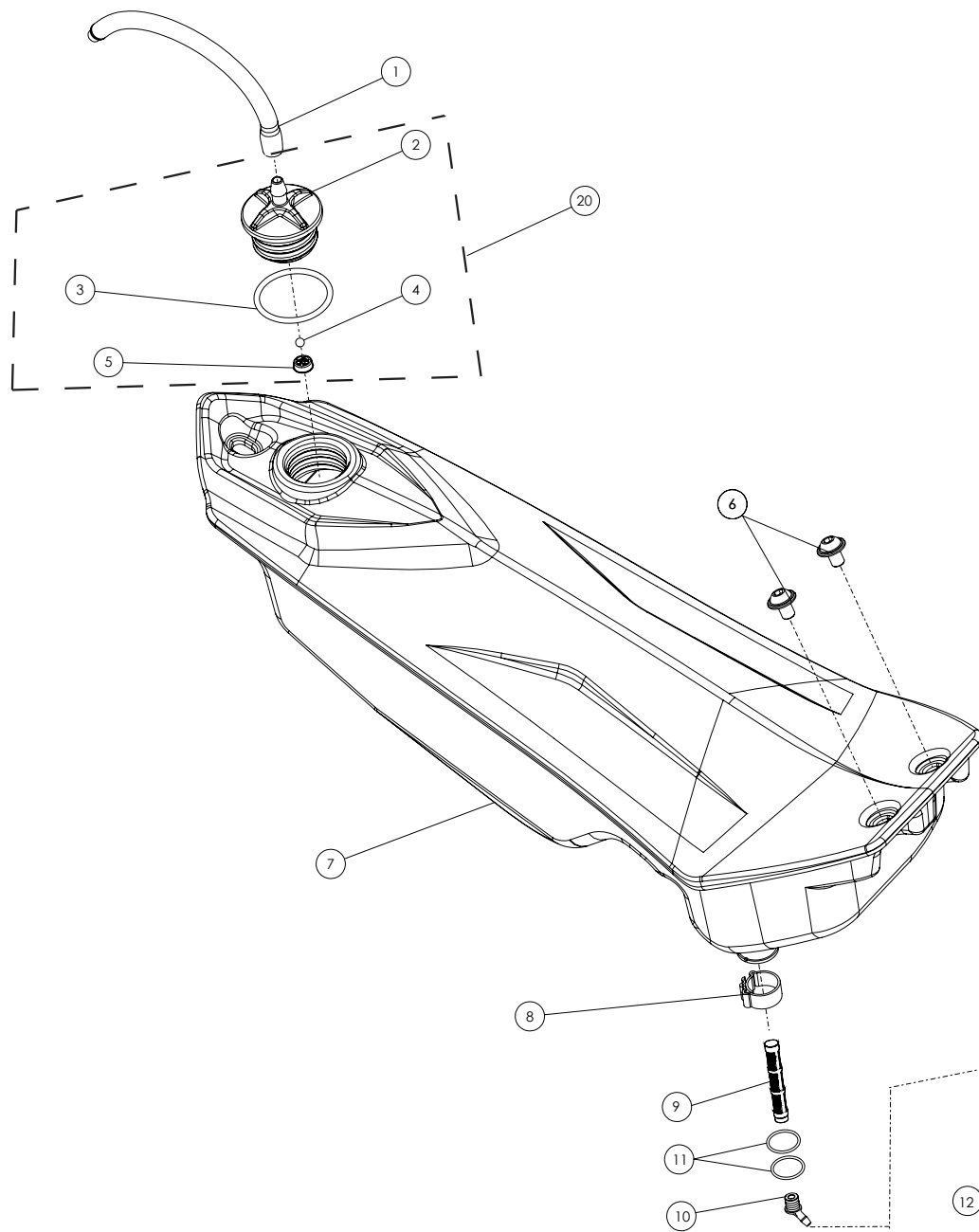


D

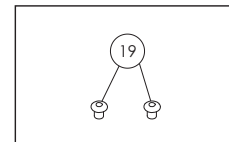
C

B

A



18  
 Tornillo Brazos Chasis /  
 Bolt Frame Brace



19  
 Remache Guardabarros trasero /  
 Plastic Rivot rear mudguard

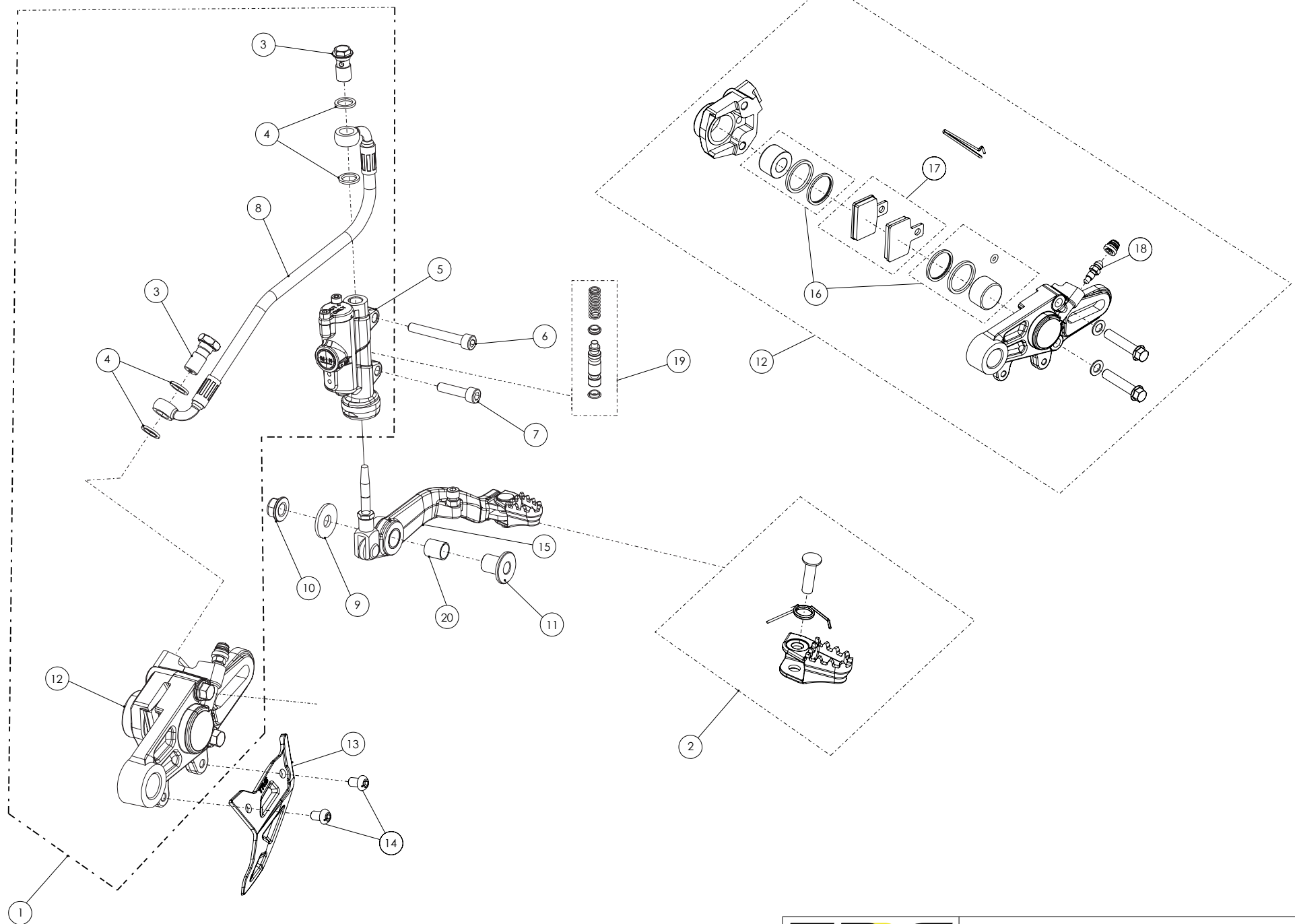


## Despiece TRRS Raga Racing 2023 Electric Start

## 06 - CD - Conjunto Depósito / Fuel Tank

| Nº | Código     | Descripción                             | Description                       | Cantidad |
|----|------------|-----------------------------------------|-----------------------------------|----------|
| 1  | 62001      | Tubo Desvaporizador Tapón Gasolina      | Fuel cap vent hose                | 1        |
| 2  | 06001TR100 | Tapón Depósito                          | Fuel cap                          | 1        |
| 3  | 53001      | Tórica Tapón Depósito 29.82x2.62        | O-ring, fuel cap 29.82x2.62       | 1        |
| 4  | 60001      | Bola Válvula Tapón                      | Check-ball, cap vent              | 1        |
| 5  | 06002TR100 | Cierre Válvula Tapón Depósito           | Cap, check-ball fuel tank valve   | 1        |
| 6  | 50203      | Tornillo DIN 7380-FL M6x10 - Depósito   | Bolt, DIN 7380-FL Fuel tank M6x10 | 2        |
| 7  | 06003TR101 | Depósito Gasolina                       | Fuel tank                         | 1        |
| 8  | 58007      | Abrazadera Cobra 17                     | Clamp, Cobra 17                   | 1        |
| 9  | 70128      | Filtro gasolina roscado                 | Fuel filter threaded              | 1        |
| 10 | 06004TR100 | Salida deposito gasolina                | Output fuel tank                  | 1        |
| 11 | 53026      | Torica 9,5x2                            | O-ring 9,5x2                      | 2        |
| 12 | 62102      | Tubo goma grifo gasolina                | Fuel tap hose                     | 2        |
| 13 | 58021      | Abrazadera alambre                      | Wire clamp                        | 4        |
| 14 | 70127      | Grifo gasolina en linea (leva metalica) | In line fueltap (metal lever)     | 1        |
| 15 | 17016TR100 | Soporte grifo gasolina                  | Fuel tap support                  | 1        |
| 16 | 51501      | Tuerca Autoblocante M6                  | Locknut M6                        | 2        |
| 17 | 50903      | Tornillo DIN 691 M6x16                  | Bolt, DIN 6921 M6x16              | 2        |
| 18 | 50801      | Tornillo allen M8x14mm                  | Allen, 8x14mm                     | 2        |
| 19 | 65001      | Remache Plástico 6x12                   | Plastic rivot 6x12                | 2        |
| 20 | 06005TR100 | Tapón depósito gasolina completo        | Fuel tank cap set                 | 1        |







## Despiece TRRS Raga Racing 2023 Electric Start

## 07 - FT - Freno Trasero / Rear Brake

| Nº | Código            | Descripción                                                    | Description                                                           | Cantidad |
|----|-------------------|----------------------------------------------------------------|-----------------------------------------------------------------------|----------|
| 1  | <b>70320</b>      | Conjunto freno trasero                                         | <i>Kit, rear brake</i>                                                | 1        |
| 2  | <b>70312</b>      | Kit reparación palanca freno                                   | <i>Brake lever repair kit</i>                                         | 1        |
| 3  | <b>70304</b>      | Racord                                                         | <i>Banjo bolt</i>                                                     | 2        |
| 4  | <b>56101</b>      | Arandela Al. 10x14x1,5                                         | <i>Washer, Al. 10x14x1.5</i>                                          | 4        |
| 5  | <b>70318</b>      | Bomba Freno Trasero                                            | <i>Pump, rear brake</i>                                               | 1        |
| 6  | <b>50103</b>      | Tornillo DIN 912 M6x45 - Bomba Freno - Escape                  | <i>Bolt, DIN 912 M6x45 - Brake pump - exhaust</i>                     | 1        |
| 7  | <b>50110</b>      | Tornillo DIN 912 M6x25 - Bomba Freno Inferior                  | <i>Bolt, DIN 912 M6x25 - Brake pump - lower</i>                       | 1        |
| 8  | <b>70306</b>      | Latiguillo Freno Trasero                                       | <i>Hose, rear brake</i>                                               | 1        |
| 9  | <b>56304</b>      | Arandela Pedal Freno DIN 9021 Ø8                               | <i>Washer, brake pedal DIN 9021 Ø8</i>                                | 1        |
| 10 | <b>51502</b>      | Tuerca Autoblocante M8 - Pedal Freno                           | <i>Nut, self locking M8 - Brake pedal</i>                             | 1        |
| 11 | <b>07001TR100</b> | Casquillo Pedal Freno                                          | <i>Bushing, brake pedal</i>                                           | 1        |
| 12 | <b>70307</b>      | Conjunto Pinza Freno Trasero                                   | <i>Rear brake caliper, complete</i>                                   | 1        |
| 13 | <b>07002TR101</b> | Protector disco trasero                                        | <i>Disc protector, rear</i>                                           | 1        |
| 14 | <b>50204</b>      | Tornillo DIN 7380 M6X10 - Protector Disco Trasero              | <i>Bolt, DIN 7380 M6x10 - Rear disc protector</i>                     | 2        |
| 15 | <b>07012TR100</b> | Conjunto Palanca Freno                                         | <i>Brake pedal, complete</i>                                          | 1        |
| 16 | <b>70309</b>      | Kit Reparación Pinza Trasera                                   | <i>Repair kit, rear caliper</i>                                       | 1        |
| 17 | <b>70310</b>      | Juego Pastillas Freno Trasero                                  | <i>Brake pad set, rear</i>                                            | 1        |
| 18 | <b>70374</b>      | Sangrador freno trasero                                        | <i>Bleeder screw rear brake</i>                                       | 1        |
| 19 | <b>70321</b>      | Kit rep. pistón bomba freno trasero (bomba deposito integrado) | <i>Repair kit, rear brake pump (master cylinder /integrated tank)</i> | 2        |
| 20 | <b>57003</b>      | Casquillo                                                      | <i>Bushing</i>                                                        | 1        |

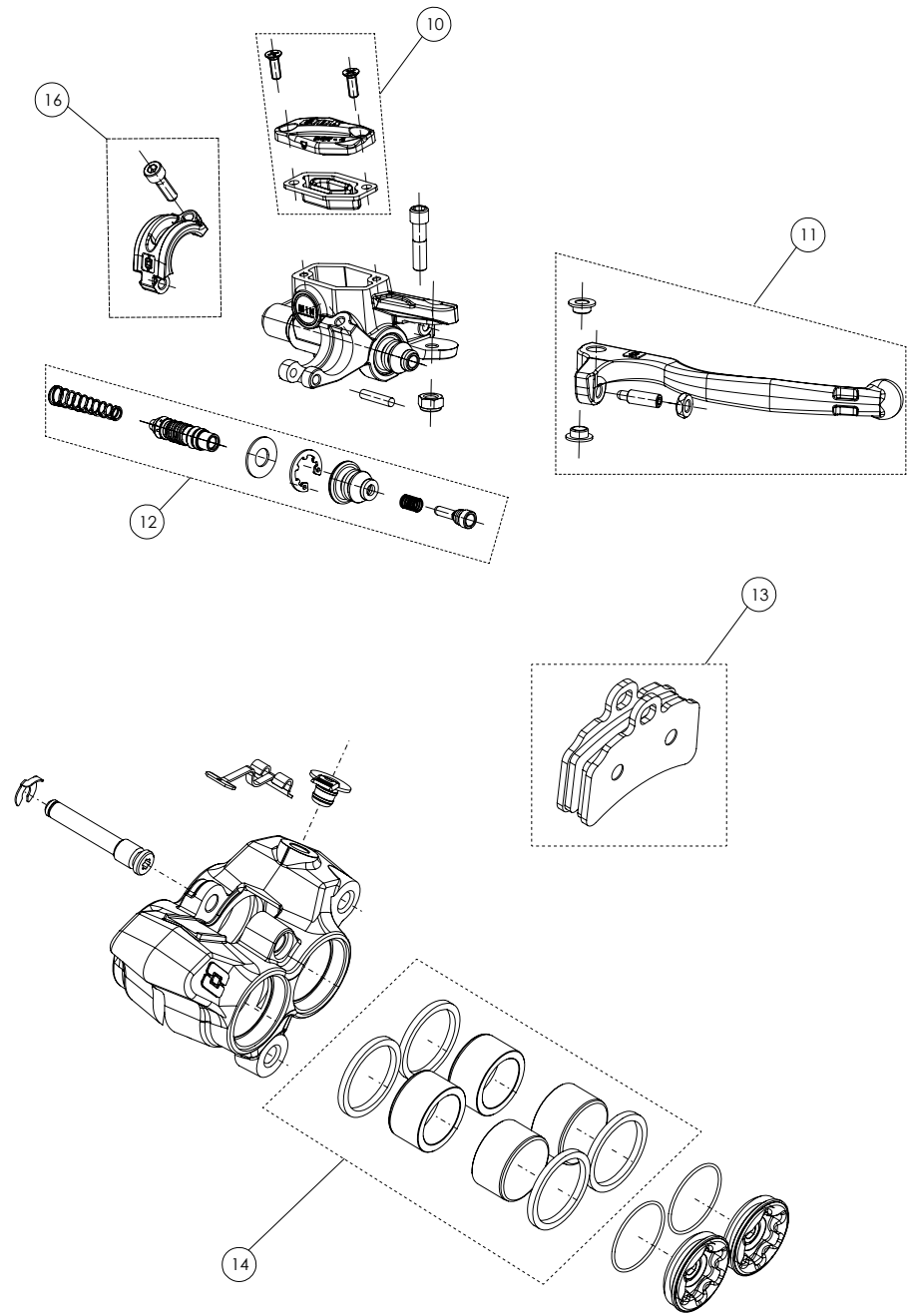
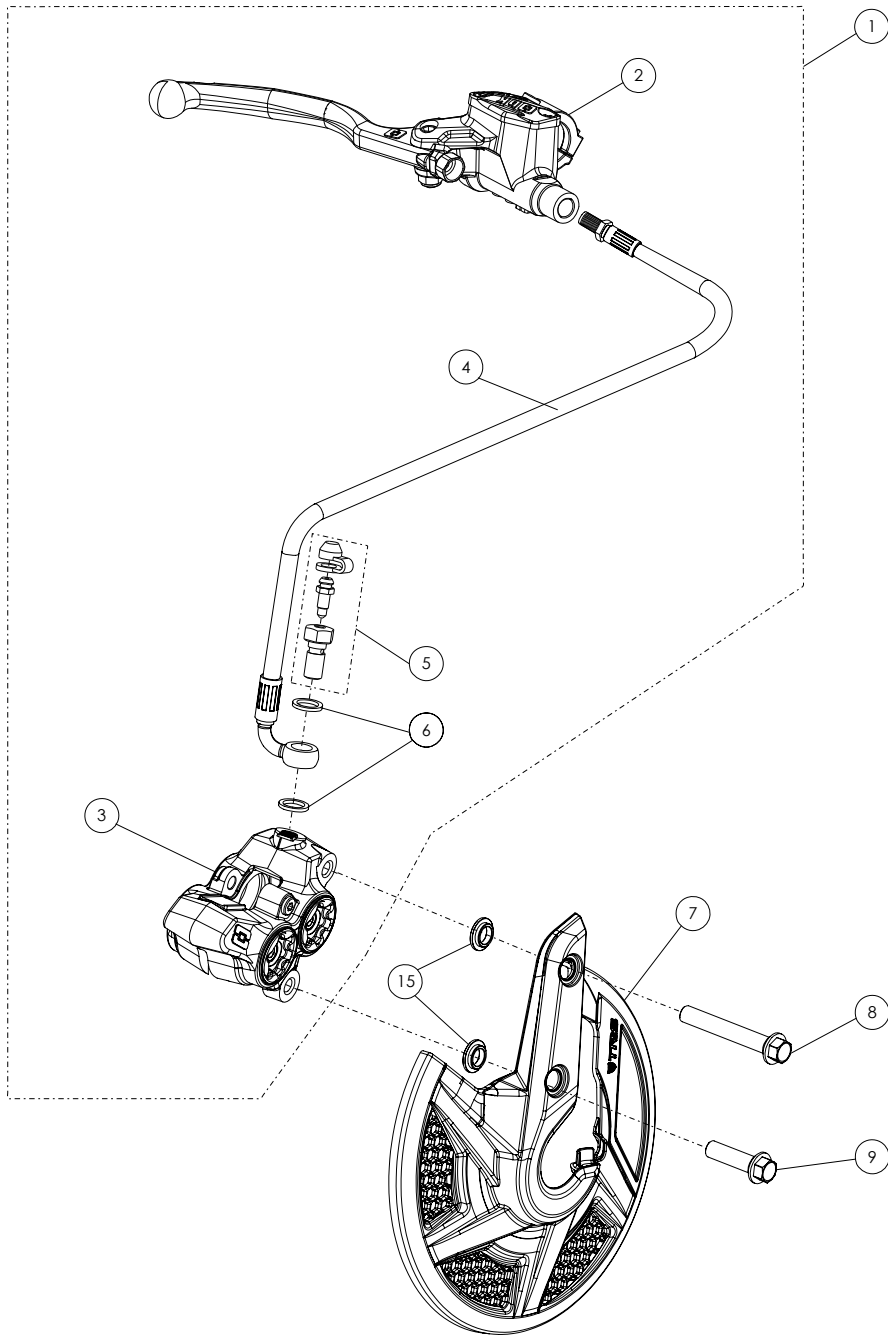


D

C

B

A



## Despiece TRRS Raga Racing 2023 Electric Start

## 08 - FD - Freno Delantero / Front Brake

| Nº | Código            | Descripción                                | Description                                       | Cantidad |
|----|-------------------|--------------------------------------------|---------------------------------------------------|----------|
| 1  | <b>70382</b>      | Conjunto Freno Delantero Racing            | <i>Complete front brake assembly Racing</i>       | 1        |
| 2  | <b>70383</b>      | Bomba Freno Delantero Racing               | <i>Pump Racing, front brake (master cylinder)</i> | 1        |
| 3  | <b>70384</b>      | Pinza Freno Delantero Racing               | <i>Caliper Racing, front brake</i>                | 1        |
| 4  | <b>70353</b>      | Latiguillo Freno Delantero                 | <i>Hose, front brake</i>                          | 1        |
| 5  | <b>70388</b>      | Racor pinza freno delantero + sangrador II | <i>Banjo bolt + bleeder II</i>                    | 1        |
| 6  | <b>56101</b>      | Arandela CU 10x14x1,5                      | <i>Washer, CU 10x14x1.5</i>                       | 2        |
| 7  | <b>08001TR102</b> | Protector disco delantero rejado           | <i>Front brake disc grided cover</i>              | 1        |
| 8  | <b>50901</b>      | Tornillo DIN 6921 M8x40 - Pinza Freno      | <i>Bolt, DIN 6921 M8x40 - Brake caliper</i>       | 1        |
| 9  | <b>50907</b>      | Tornillo DIN 6921 M8x30 - Pinza Freno      | <i>Bolt, DIN 6921 M8x30 - Brake caliper</i>       | 1        |
| 10 | <b>70369</b>      | Kit Tapa Bomba                             | <i>Kit, brake pump cap</i>                        | 1        |
| 11 | <b>70356</b>      | Maneta Freno Racing                        | <i>Racing Brake handle (lever)</i>                | 1        |
| 12 | <b>70376</b>      | Kit Reparación Bomba                       | <i>Kit, pump internal repair</i>                  | 1        |
| 13 | <b>70385</b>      | Juego Pastillas Freno Delantero Racing     | <i>Brake pad set Racing, front</i>                | 1        |
| 14 | <b>70380</b>      | Kit Reparación Pinza Freno Racing          | <i>Kit, rear caliper repair Racing</i>            | 1        |
| 15 | <b>08002TR100</b> | Casquillo Protector Disco Delantero        | <i>Bushing, front disc protector</i>              | 2        |
| 16 | <b>70918</b>      | Brida bomba anodizado rojo                 | <i>Clamp, master cylinder red anodized</i>        | 1        |

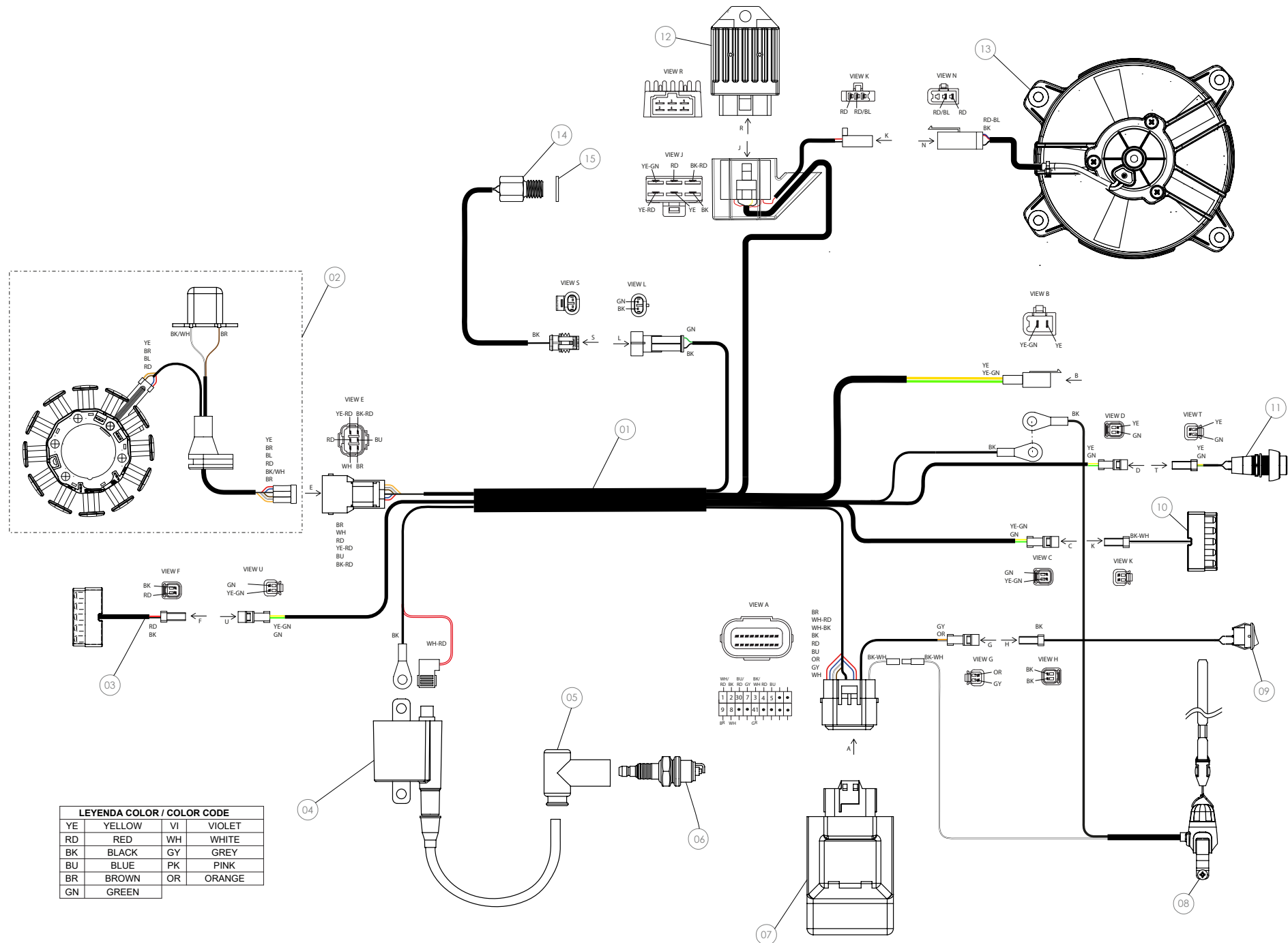


D

C

B

A



| LEYENDA COLOR / COLOR CODE |        |    |        |
|----------------------------|--------|----|--------|
| YE                         | YELLOW | VI | VIOLET |
| RD                         | RED    | WH | WHITE  |
| BK                         | BLACK  | GY | GREY   |
| BU                         | BLUE   | PK | PINK   |
| BR                         | BROWN  | OR | ORANGE |
| GN                         | GREEN  |    |        |



09 - IE - Instalación Eléctrica / Electrical installation  
 TRRS Motorcycles



## Despiece TRRS Raga Racing 2023 Electric Start

## 09 - IE - Instalación Eléctrica / Electrical installation

| Nº | Código            | Descripción                                                                         | Description                                                                        | Cantidad |
|----|-------------------|-------------------------------------------------------------------------------------|------------------------------------------------------------------------------------|----------|
| 1  | <b>09012TR100</b> | Instalacion electrica principal T/Sensor                                            | Main wiring harness T/Sensor                                                       | 1        |
| 2  | <b>70225</b>      | Stator + Pick up - (véase en lámina 08 /Motor-Encendido)                            | Stator and pickup (see sheet 08 /Engine-Ignition)                                  | 1        |
| 3  | <b>70202</b>      | Led trasero - (véase en lámina 02 / Caja Filtro)                                    | Rear LED lamp (see sheet 02/ Filter Box)                                           | 1        |
| 4  | <b>70203</b>      | Bobina de alta - (véase en lámina 08 /Motor-Encendido)                              | Ignition coil (see sheet 08 /Engine-Ignition)                                      | 1        |
| 5  | <b>70260</b>      | Pipa bujia corta                                                                    | Short spark plug cap                                                               | 1        |
| 6  | <b>70205</b>      | Bujía NGK BPMR6A                                                                    | Spark plug NGK BPMR6A                                                              | 1        |
| 7  | <b>70253</b>      | Caja CDI T/Sensor - (véase en lámina 01 / Chasis)                                   | CDI box (see sheet 01/ Frame)                                                      | 1        |
| 8  | <b>70229</b>      | Botón paro racing, Hombre al agua - (véase en lámina 04 / Horquilla Delantera)      | Kill button engine with magnetic lanyard (see sheet 04 / Front Suspension)         | 1        |
| 9  | <b>70208</b>      | Interruptor curva CDI - (véase en lámina 04 / Horquilla Delantera)                  | Igniton map switch (see sheet 04 / Front Suspension)                               | 1        |
| 10 | <b>70209</b>      | Led delantero - (véase en lámina 04 / Horquilla Delantera)                          | Front led lamp (see sheet 04 / Front suspension)                                   | 1        |
| 11 | <b>70210</b>      | Pulsador led - (véase en lámina 04 / Horquilla Delantera)                           | Switch, led lamps (see sheet 04 / Front Suspension)                                | 1        |
| 12 | <b>70239</b>      | Regulador ventilador (véase en lámina 13 / Conjunto radiador)                       | Regulator fan (see sheet 13 / Radiator)                                            | 1        |
| 13 | <b>70234</b>      | Ventilador - (véase en lámina 13 / Conjunto radiador)                               | Fan (see sheet 13 / Radiator)                                                      | 1        |
| 14 | <b>70254</b>      | Sensor temperatura - (véase en lámina 07 / Motor - Cilindro y Pistón 250/280/300cc) | Water temperature sensor (see sheet 07 / Engine-Cylinder and piston 250/280/300cc) | 1        |
| 15 | <b>56102</b>      | Arandela cobre 8x12x1,5                                                             | Copper washer, 8x12x1.5                                                            | 1        |

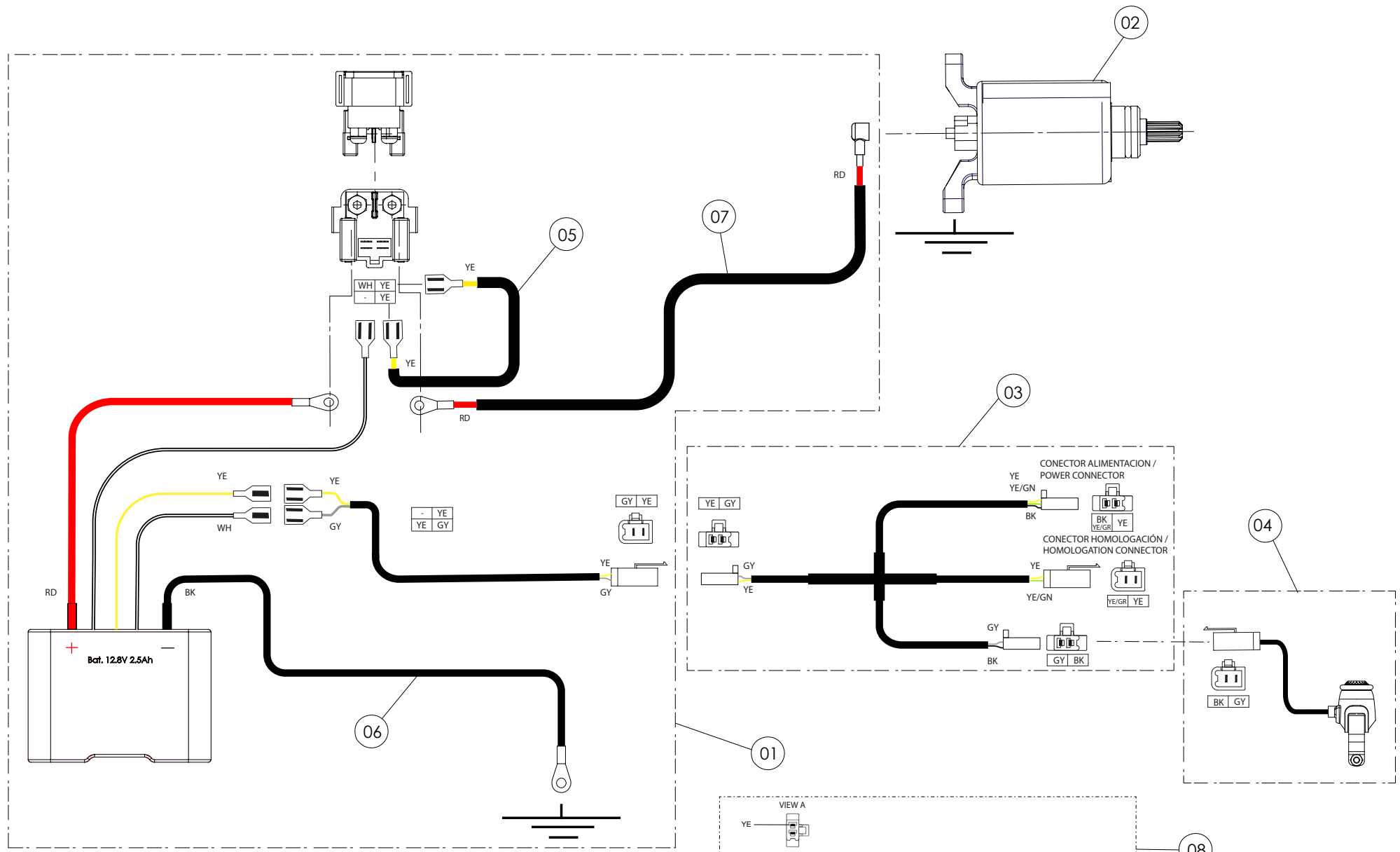


D

C

B

A



**LEYENDA COLOR / COLOR CODE**

|    |        |    |       |
|----|--------|----|-------|
| YE | YELLOW | GY | GREY  |
| RD | RED    | GN | GREEN |
| BK | BLACK  |    |       |



09b-IE-Instalación Eléctrica Arranque/ Electric Start Instalación  
 TRRS Motorcycles



## Despiece TRRS Raga Racing 2023 Electric Start

09b - IE - Instalación Eléctrica Arranque / Electric Start Instal.

| Nº | Código     | Descripción                               | Description                             | Cantidad |
|----|------------|-------------------------------------------|-----------------------------------------|----------|
| 1  | 04028TR100 | Conjunto batería arranque electrico       | Battery electric start set              | 1        |
| 2  | 70257      | Motor arranque electrico 12V              | Starter motor 12V                       | 1        |
| 3  | 09009TR100 | Ramal instalacion arranque electrico      | Branch wiring harness electric starter  | 1        |
| 4  | 09007TR100 | Pulsador de arranque con instalacion      | Starter button with hardness            | 1        |
| 5  | 09011TR100 | Puente rele arranque                      | Starter relay conexión                  | 1        |
| 6  | 09014TR100 | Cable negativo batería arranque electrico | Ground cable battery electric start     | 1        |
| 7  | 09010TR100 | Cable positivo rele/motor arranque trial  | Starter relay/starter motor cable trial | 1        |
| 8  | 09016TR100 | Cable cargador batería arranque eléctrico | Adapter charger battery electric start  | 1        |

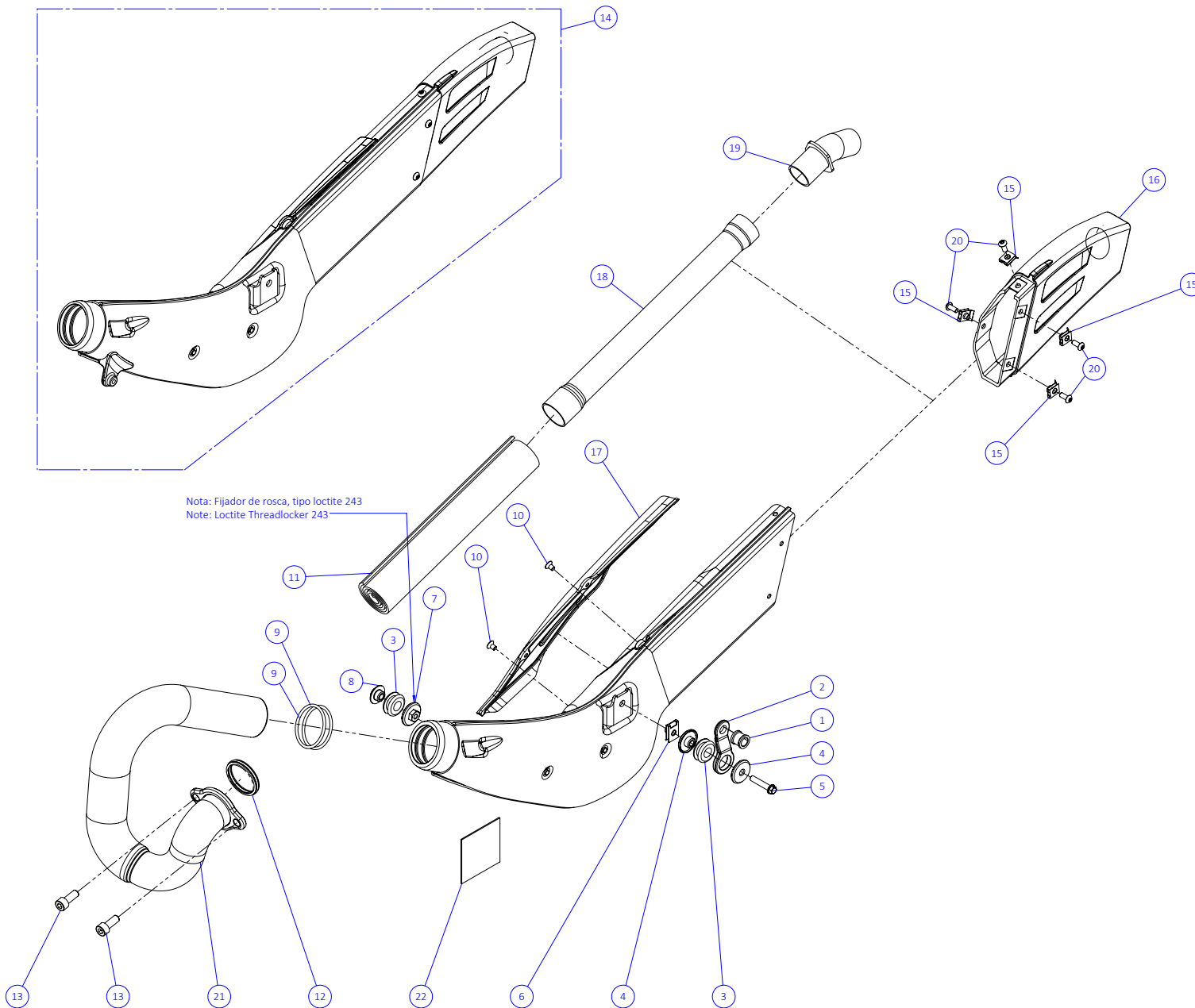


D

C

B

A





## Despiece TRRS Raga Racing 2023 Electric Start

## 10 - CE - Conjunto Escape / Exhaust set

| Nº | Código     | Descripción                               | Description                             | Cantidad |
|----|------------|-------------------------------------------|-----------------------------------------|----------|
| 1  | 10007TR100 | Casquillo Soporte Escape Superior         | Bushing, exhaust support, upper         | 1        |
| 2  | 10016TR100 | Soporte superior escape                   | Upper exhaust support                   | 1        |
| 3  | 10019TR100 | Goma soporte                              | Damper rubber                           | 2        |
| 4  | 10022TR100 | Casquillo soporte escape                  | Buhsing exhaust support                 | 2        |
| 5  | 50914      | Tornillo hexagonal con valona M6x30       | Bolt hexagonal flange M6x30             | 1        |
| 6  | 51301      | Tuerca rápida M6                          | Speed-nut M6                            | 1        |
| 7  | 10020TR100 | Tuerca soporte inferior escape            | Nut lower exhaust support               | 1        |
| 8  | 10021TR100 | Casquillo soporte inferior escape         | Bushing lower exhasut support           | 1        |
| 9  | 53004      | Tórica 44x3                               | O-ring, 44x3                            | 2        |
| 10 | 50303      | Tornillo DIN 7991 M5x8 - Protector Escape | Bolt, DIN 7991 M5x8 - Exhaust protector | 2        |
| 11 | 70603      | Fibra Silencioso                          | Silencer fiber packing                  | 1        |
| 12 | 10006TR100 | Junta Metálica Curva Escape               | Metal gasket, exhaust pipe              | 1        |
| 13 | 50807      | Tornillo DIN 912 M8x20                    | Bolt, DIN 912 M8x20                     | 2        |
| 14 | 10025TR100 | Conjunto escape arranque eléctrico        | Exhaust set electric starter            | 1        |
| 15 | 51302      | Tuerca rápida universal M5                | Universal speed nut M5                  | 4        |
| 16 | 10002TR100 | Salida escape                             | End-cap, exhaust                        | 1        |
| 17 | 10004TR100 | Protector escape                          | Protector exhaust                       | 1        |
| 18 | 70602      | Tubo Interno Silencioso                   | Silencer internal tube                  | 1        |
| 19 | 70601      | Tubo Salida Silencioso                    | Silencer exit tube                      | 1        |
| 20 | 50210      | Tornillo alomado allen M5x12              | Bolt allen M5x12                        | 4        |
| 21 | 10005TR100 | Curva Escape Titanio                      | Exhaust pipe, titanium                  | 1        |
| 22 | 10026TR100 | Protector anticalórico escape             | Exhaust heat shield protector           | 1        |

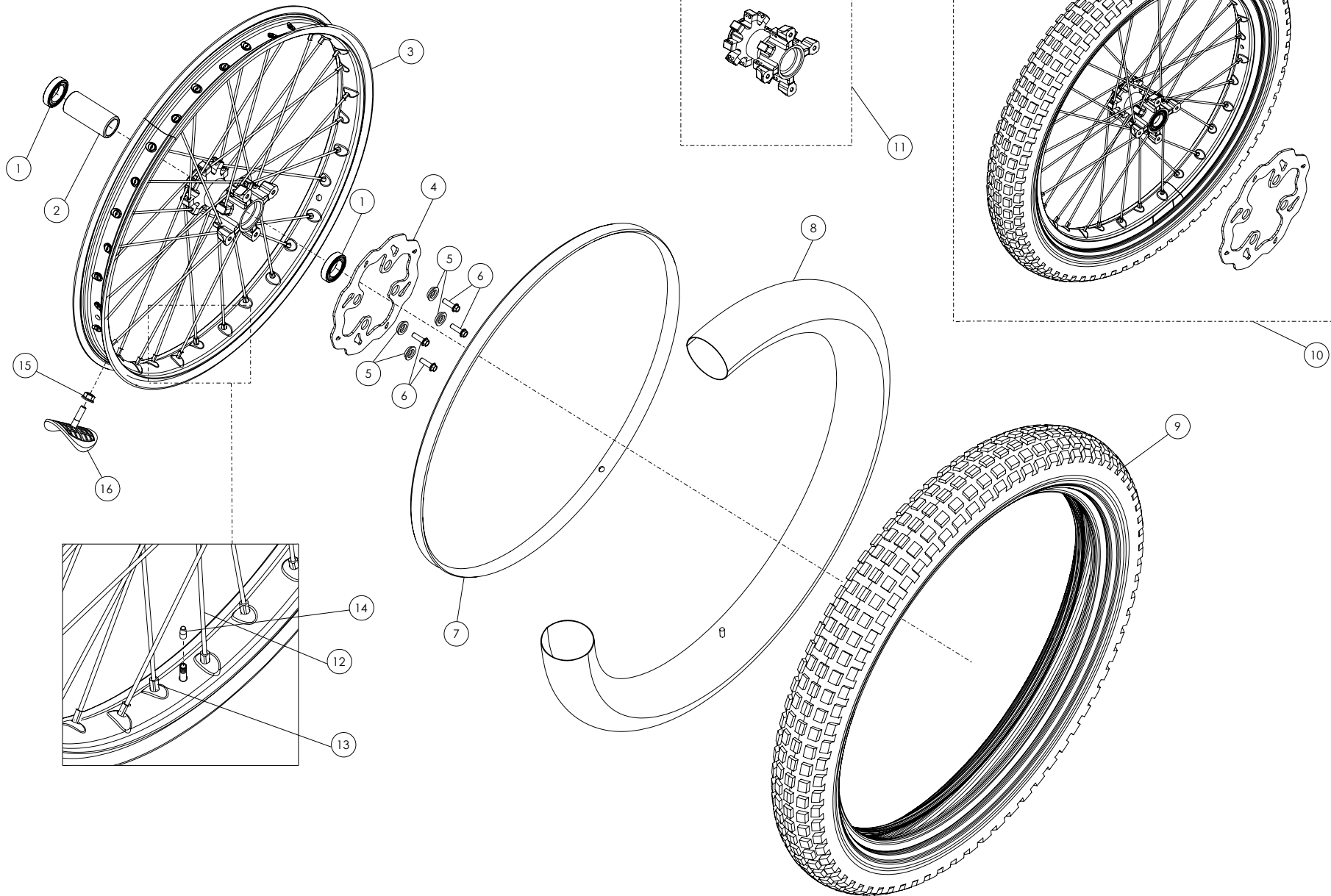


D

C

B

A

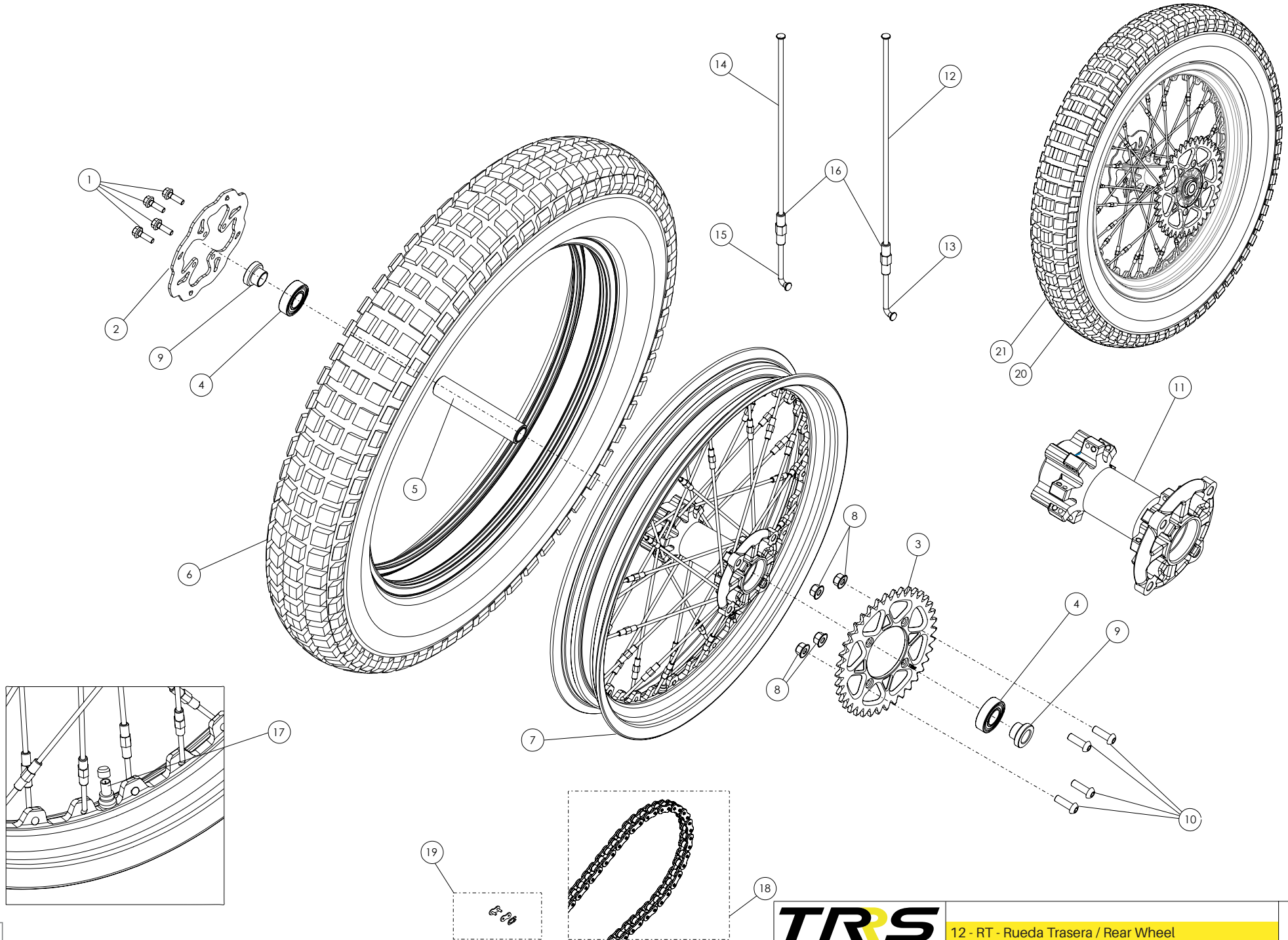


## Despiece TRRS Raga Racing 2023 Electric Start

## 11 - RD - Rueda Delantera / Front Wheel

| Nº | Código | Descripción                                                                            | Description                                                             | Cantidad |
|----|--------|----------------------------------------------------------------------------------------|-------------------------------------------------------------------------|----------|
| 1  | 52101  | Rodamiento 6004                                                                        | Bearing, 6004                                                           | 2        |
| 2  | 70701  | Casquillo Interior Buje                                                                | Bushing, interior hub                                                   | 1        |
| 3  | 70714  | Conjunto llanta delantera (Buje blanco)                                                | Front rim set (White hub)                                               | 1        |
| 4  | 70363  | Disco de Freno Delantero TRS                                                           | Front brake disc rotor                                                  | 1        |
| 5  | 70364  | Casquillo Disco Freno                                                                  | Bushing, brake disc rotor                                               | 4        |
| 6  | 50402  | Tornillo DIN 6921 M6                                                                   | Bolt, DIN 6921 M6                                                       | 4        |
| 7  | 70703  | Goma Protector                                                                         | Rubber protector (flap)                                                 | 1        |
| 8  | 70704  | Camara Delantera + Válvula                                                             | Front inner-tube with valve                                             | 1        |
| 9  | 70705  | Michelin 2,75-21                                                                       | Tyre, Michelin 2.75x21                                                  | 1        |
| 10 | 7070C  | Cjto. Rueda delantera (buje blanco, aro negro, adhesivos buje, adhesivo llanta RR2023) | Front wheel set (White hub, black rim, sticker hub, sticker rim RR2023) | 1        |
| 11 | 70712  | Buje delantero                                                                         | Front hub                                                               | 1        |
| 12 | 70708  | Radios Rueda Delantera                                                                 | Spoke, front wheel                                                      | 32       |
| 13 | 70709  | Tuerca Radios Rueda Delantera                                                          | Spoke nipple (nuts), front wheel                                        | 32       |
| 14 | 70710  | Tapón Válvula Cámara                                                                   | Valve cap                                                               | 1        |
| 15 | 51105  | Tuerca DIN 6923 M8                                                                     | Nut, DIN 6923 M8                                                        | 1        |
| 16 | 70711  | Agarre Cubierta                                                                        | Lock, Tyre to rim                                                       | 1        |





## Despiece TRRS Raga Racing 2023 Electric Start

## 12 - RT - Rueda Trasera / Rear Wheel

| Nº | Código            | Descripción                                                                                                                      | Description                                                                                         | Cantidad |
|----|-------------------|----------------------------------------------------------------------------------------------------------------------------------|-----------------------------------------------------------------------------------------------------|----------|
| 1  | <b>50402</b>      | Tornillo DIN6921 M6x20 - Disco Freno Trasero                                                                                     | <i>Bolt, DIN 6921 M6x20 - Rear brake disc rotor</i>                                                 | 4        |
| 2  | <b>70314</b>      | Disco Freno Trasero TRS                                                                                                          | <i>Brake disc rotor, rear TRS</i>                                                                   | 1        |
| 3  | <b>12007TR100</b> | Corona 40z Racing ligera anodizado negro (250-280-300cc)                                                                         | <i>Rear sprocket 40z Racing lightweight black anodized (250-28-300cc)</i>                           | 1        |
| 4  | <b>52101</b>      | Rodamiento 6004                                                                                                                  | <i>Bearing, 6004</i>                                                                                | 2        |
| 5  | <b>70751</b>      | Casquillo Interior Buje                                                                                                          | <i>Bushing, interior hub</i>                                                                        | 1        |
| 6  | <b>70752</b>      | Neumático Trasero - Michelin x11 4,00 R18                                                                                        | <i>Rear tyre - Michelin X11 4.00 R18</i>                                                            | 1        |
| 7  | <b>70764</b>      | Conjunto llanta trasera (Buje blanco + Llanta aligerada negra)                                                                   | <i>Rear rim set (White hub + black light rim)</i>                                                   | 1        |
| 8  | <b>51402</b>      | Tuerca DIN 6927 Autoblocante M8 - Corona                                                                                         | <i>Nut, DIN 6927 self locking M8 - Sprocket</i>                                                     | 4        |
| 9  | <b>12002TR100</b> | Casquillo Distanciador Rueda                                                                                                     | <i>Spacer bushing, wheel</i>                                                                        | 2        |
| 10 | <b>50207</b>      | Tornillo DIN 7380 M8x25 - Corona                                                                                                 | <i>Bolt, DIN 7380 M8x25 - Sprocket</i>                                                              | 4        |
| 11 | <b>70767</b>      | Buje Trasero                                                                                                                     | <i>Rear hub</i>                                                                                     | 1        |
| 12 | <b>70755</b>      | Radio M4x0,7 LG. 175/18º                                                                                                         | <i>Spoke, M4x0.7 long 175/18 - Right side</i>                                                       | 16       |
| 13 | <b>70756</b>      | Radio M4x0,7 LG. 36/95º                                                                                                          | <i>Spoke, M4x0.7 short 36/95 - Right side</i>                                                       | 16       |
| 14 | <b>70757</b>      | Radio M4x0,7 LG. 165/12º                                                                                                         | <i>Spoke, M4x0.7 long 165/12 - Left side</i>                                                        | 16       |
| 15 | <b>70758</b>      | Radio M4x0,7 LG. 34,5/103º                                                                                                       | <i>Spoke, M4x0.7 short 34.5/103 - Left side</i>                                                     | 16       |
| 16 | <b>70759</b>      | Tuerca Radios Doble Rosca M4                                                                                                     | <i>Nipple (nut) double-end threaded M4</i>                                                          | 32       |
| 17 | <b>70760</b>      | Válvula                                                                                                                          | <i>Valve</i>                                                                                        | 1        |
| 18 | <b>70401</b>      | Cadena 100 pasos / 135 EBXL (520) (250-280-300cc)                                                                                | <i>Chain 100 Links (250-280-300cc)</i>                                                              | 1        |
| 19 | <b>70402</b>      | Enganche Cadena                                                                                                                  | <i>Chain master-link</i>                                                                            | 1        |
| 20 | <b>7075R</b>      | Cjto. Rueda trasera (Llanta negra aligerada, buje blanco, neumático Michelin, adhesivos llanta RR 2023, corona 40z, disco freno) | <i>Rear rim set (Black rim, hub white, Michelin tire, stickers 2023, break disc, 40z sprocket )</i> | 1        |
| 21 | <b>7075S</b>      | Cjto. Rueda trasera (Llanta negra aligerada, buje blanco, neumático Michelin, adhesivos llanta RR 2023, corona 45z, disco freno) | <i>Rear rim set (Black rim, hub white, Michelin tire, stickers 2023, break disc, 45z sprocket )</i> | 1        |

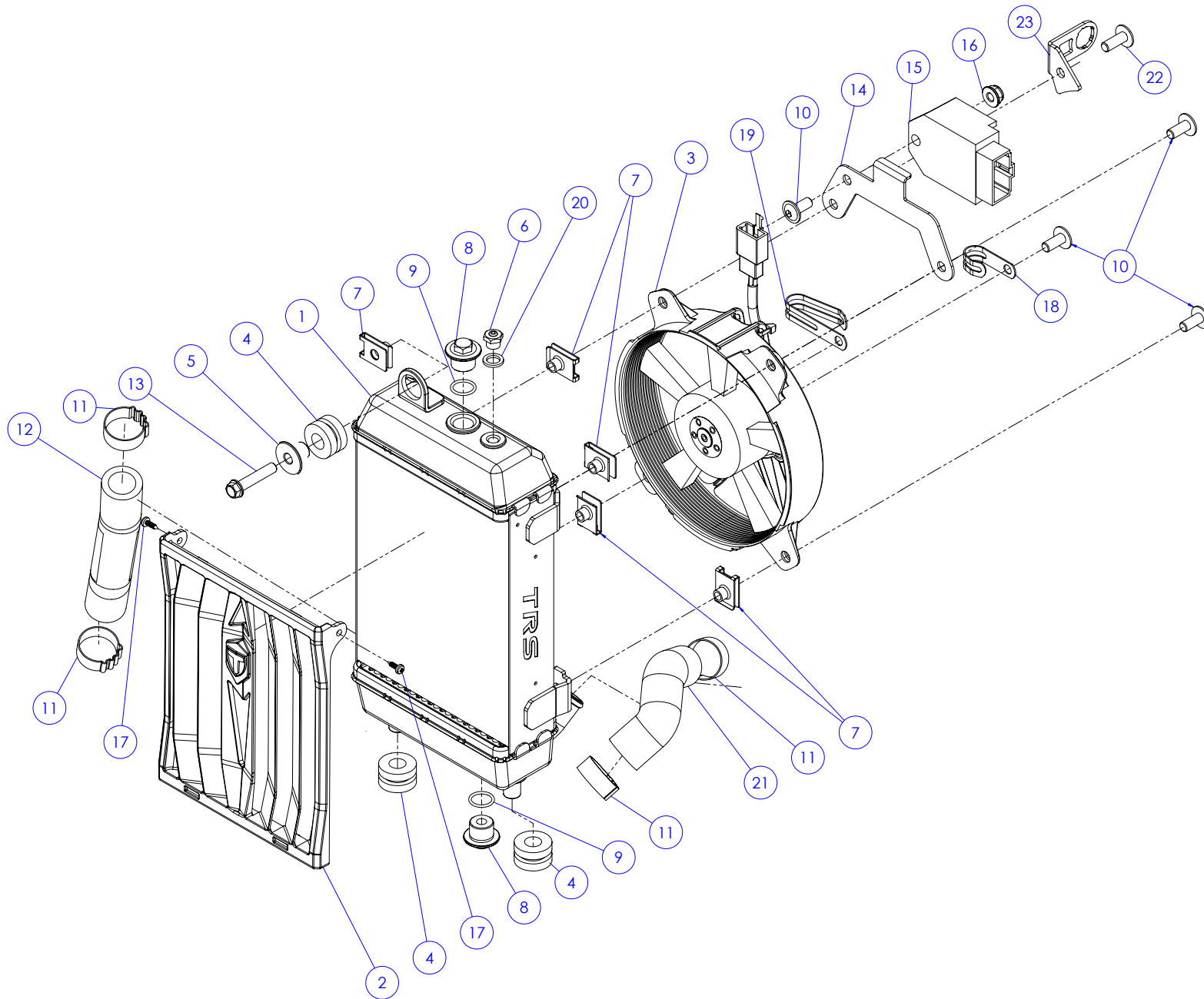


D

C

B

A



## Despiece TRRS Raga Racing 2023 Electric Start

13 - CR - Conjunto Radiador / Radiator set

| Nº | Código            | Descripción                               | Description                                            | Cantidad |
|----|-------------------|-------------------------------------------|--------------------------------------------------------|----------|
| 1  | <b>13009TR100</b> | Radiador TRRS                             | <i>Radiator TRRS</i>                                   | 1        |
| 2  | <b>13005TR100</b> | Protector Radiador                        | <i>Radiator protect</i>                                | 1        |
| 3  | <b>70234</b>      | Ventilador                                | <i>Fan</i>                                             | 1        |
| 4  | <b>63002</b>      | Silentblock                               | <i>Silentblock (vibration isolator)</i>                | 3        |
| 5  | <b>70802</b>      | Casquillo superior silentblock radiador   | <i>Bushing, upper silentblock radiator</i>             | 1        |
| 6  | <b>70801</b>      | Válvula expansión radiador                | <i>Radiator expansion valve</i>                        | 1        |
| 7  | <b>51301</b>      | Tuerca rápida universal M6                | <i>Universal clip-nut, M6</i>                          | 5        |
| 8  | <b>13004TR100</b> | Tapón Radiador                            | <i>Radiator cap</i>                                    | 2        |
| 9  | <b>53015</b>      | Tórica 12x1,5                             | <i>O-ring, 12x1.5</i>                                  | 2        |
| 10 | <b>50209</b>      | Tornillo allen con valona M6x14           | <i>Screw allen with washer M6x14</i>                   | 5        |
| 11 | <b>58009</b>      | Abrazadera Cobra 22                       | <i>Hose clamp, Cobra 22</i>                            | 4        |
| 12 | <b>13003TR101</b> | Tubo agua silicona rojo (Bomba- Radiador) | <i>Water hose red silicone (Water pump - Radiator)</i> | 1        |
| 13 | <b>50914</b>      | Tornillo hexagonal con valona M6x30       | <i>Bolt hexagonal flange M6x30</i>                     | 1        |
| 14 | <b>13011TR100</b> | Soporte regulador ventilador              | <i>Fan regulator support</i>                           | 1        |
| 15 | <b>70239</b>      | Regulador ventilador DC                   | <i>Regulator fan DC</i>                                | 1        |
| 16 | <b>51501</b>      | Tuerca Autoblocante M6                    | <i>Locknut M6</i>                                      | 1        |
| 17 | <b>50606</b>      | Tornillo 2,9x9,5 rosca chapa              | <i>Screw 2.9x9.5</i>                                   | 2        |
| 18 | <b>58001</b>      | Abrazadera 60mm                           | <i>Clamp 60mm</i>                                      | 1        |
| 19 | <b>58002</b>      | Abrazadera para Cableado 100mm            | <i>Clamp for cables, 100mm</i>                         | 1        |
| 20 | <b>56102</b>      | Arandela cobre 8x12x1,5                   | <i>Copper washer, 8x12x1.5</i>                         | 1        |
| 21 | <b>13012TR100</b> | Tubo agua rojo silicona (Cul.-Rad.)       | <i>Water hose red silicone (Cyl.- Rad.)</i>            | 1        |
| 22 | <b>50202</b>      | Tornillo DIN 7380-fl M6x16                | <i>Bolt, DIN 7380-fl M6x16</i>                         | 1        |
| 23 | <b>13013TR100</b> | Soporte interruptor CDI                   | <i>Support CDI switch</i>                              | 1        |







## Despiece TRRS Raga Racing 2023 Electric Start

14 - CC - Caja de Láminas y Carburador / Reed Cage &amp; Carburetor

| Nº  | Código       | Descripción                          | Description                        | Cantidad |
|-----|--------------|--------------------------------------|------------------------------------|----------|
| 1   | -            | -                                    | Screw, top cover                   | -        |
| 2   | -            | -                                    | Cable Adjuster                     | -        |
| 3   | -            | -                                    | Nut, Cable Adjuster                | -        |
| 4   | -            | -                                    | Top Cover                          | -        |
| 5   | -            | -                                    | Gasket, Top                        | -        |
| 6   | -            | -                                    | Spring, Throttle Valve             | -        |
| 7   | -            | -                                    | Collar, Throttle Spring            | -        |
| 8   | -            | -                                    | Clip, Jet Needle                   | -        |
| 9   | <b>72010</b> | Aguja JJH 4º punto                   | Jet Needle JJH 4º step             | -        |
| 10  | -            | -                                    | Throttle Valve                     | -        |
| 11  | <b>58010</b> | Clip Tubo                            | Fuel hose clip                     | 2        |
| 12  | <b>62002</b> | Tubo Gasolina                        | Fuel hose                          | 1        |
| 13  | -            | -                                    | Starter Valve (pull knob) Complete | -        |
| 14  | <b>72018</b> | Tornillo ajuste ralenti Keihin       | Idle adjuster Keihin               | 1        |
| 15  | -            | -                                    | Washer, Idle Adjuster              | -        |
| 16  | -            | -                                    | Spring, Idle Adjuster              | -        |
| 17  | -            | -                                    | Float Pin                          | -        |
| 18  | -            | -                                    | Spring, Air Adjuster               | -        |
| 19  | -            | -                                    | Air Adjust Screw                   | -        |
| 20  | -            | -                                    | Needle Jet                         | -        |
| 21a | <b>72006</b> | Chiclé bajas 48 (250-280-300cc)      | Slow Jet 48 (250-280-300cc)        | 1        |
| 21b | <b>72008</b> | Chiclé bajas 52 (125cc)              | Slow Jet 52 (125cc)                | 1        |
| 22  | <b>58011</b> | Abrazadera Norma30/45                | Clamp, Norma 30/45                 | 1        |
| 23  | -            | -                                    | Needle Jet Holder SDGAA            | -        |
| 24  | -            | -                                    | Float Valve Complete               | -        |
| 25a | <b>72003</b> | Chiclé principal 125 (250-280-300cc) | Main Jet 125 (250-280-300cc)       | 1        |
| 25b | <b>72005</b> | Chiclé principal 130 (125cc)         | Main Jet 130 (125cc)               | 1        |



## Despiece TRRS Raga Racing 2023 Electric Start

## 14 - CC - Caja de Láminas y Carburador / Reed Cage &amp; Carburetor

| Nº | Código            | Descripción                       | Description                 | Cantidad |
|----|-------------------|-----------------------------------|-----------------------------|----------|
| 26 | -                 | -                                 | Clip, Float Valve           | -        |
| 27 | -                 | -                                 | Float                       | -        |
| 28 | -                 | -                                 | Gasket, Float Bowl          | -        |
| 29 | -                 | -                                 | Float Bowl Complete         | -        |
| 30 | -                 | -                                 | Screw, Float Bowl           | -        |
| 31 | -                 | -                                 | Overflow pipe               | -        |
| 32 | -                 | -                                 | O-Ring, Plug Screw          | -        |
| 33 | -                 | -                                 | Plug Screw                  | -        |
| 34 | <b>14004TR100</b> | Cable De Gas Regulable            | Throttle cable regulable    | 1        |
| 35 | <b>70446</b>      | Láminas                           | Reed valves                 | 1        |
| 36 | -                 | Tope Metálico Láminas             | Metal stop, reeds           | 1        |
| 37 | -                 | Tornillo M3                       | Bolt, M3                    | 1        |
| 38 | <b>14005TR100</b> | Caja Láminas Completa Keihin      | Complete reed cage assembly | 1        |
| 39 | <b>58001</b>      | Abrazadera 60mm                   | Clamp 60mm                  | 1        |
| 40 | <b>50112</b>      | Tornillo Din 912 M5X20            | Bolt, DIN 912 M5x20         | 4        |
| 41 | <b>70452</b>      | Carburador Keihin PWK28           | Carburetor, Keihin PWK28    | 1        |
| 42 | <b>14009TR100</b> | Adaptador tirador estarter Keihin | Choke puller Keihin adapter | 1        |

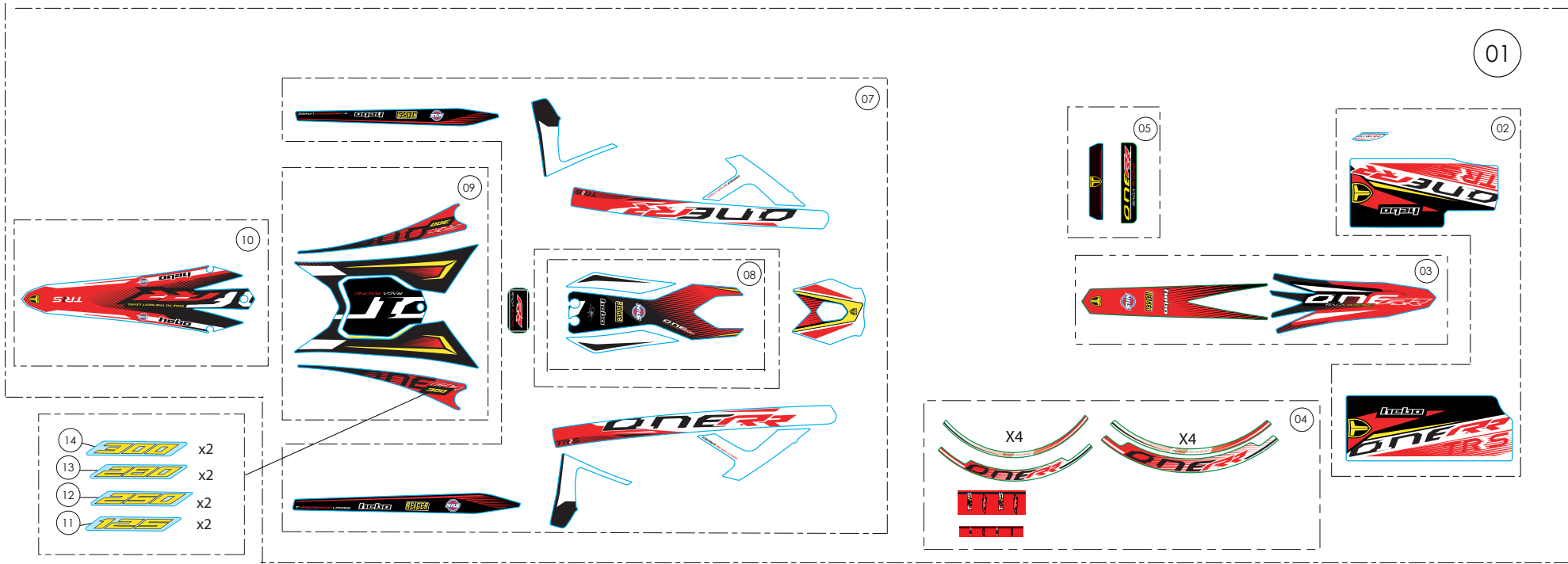


D

C

B

A



## Despiece TRRS Raga Racing 2023 Electric Start

15 - CA - Conjunto Adhesivos / Stickers set

| Nº | Código     | Descripción                                              | Description                                  | Cantidad |
|----|------------|----------------------------------------------------------|----------------------------------------------|----------|
| 1  | 15082TR100 | Conjunto adhesivos ONE RR 2023                           | Sticker kit ONE RR 2023                      | 1        |
| 2  | 15082TR101 | Cjto. Adhesivos horquilla delantera RR 2023              | Stickers set, fork RR 2023                   | 1        |
| 3  | 15082TR102 | Adhesivos guardabarros delantero RR 2023                 | Sticker, front mudguard RR 2023              | 1        |
| 4  | 15082TR109 | Cjto. Adhesivos ruedas RR 2023                           | Wheels sticker set RR 2023                   | 1        |
| 5  | 15079TR104 | Adhesivos radiador RR 2022                               | Radiator stiker RR 2022                      | 1        |
| 6  | 15082TR115 | Adhesivo careta faro arranque eléctrico RR 2023 completo | Sticker headlamp mask electric start RR 2023 | 1        |
| 7  | 15082TR105 | Cjto. Adhesivos chasis y basculante RR 2023              | Stickers set, frame and swing-arm RR 2023    | 1        |
| 8  | 15082TR106 | Adhesivo depósito RR 2023                                | Sticker, fuel tank RR 2023                   | 1        |
| 9  | 15082TR107 | Cjto. Adhesivos caja filtro RR 2023                      | Sticker, air filter box RR 2023 set          | 1        |
| 10 | 15082TR108 | Adhesivo guardabarros trasero RR 2023                    | Sticker, rear mudguard (fender) RR 2023      | 1        |
| 11 | 15082TR110 | Adhesivos cilindrada RR 2023 - 125                       | Sticker, engine size RR 2023 - 125           | 1        |
| 12 | 15082TR111 | Adhesivos cilindrada RR 2023 - 250                       | Sticker, engine size RR 2023 - 250           | 1        |
| 13 | 15082TR112 | Adhesivos cilindrada RR 2023 - 280                       | Sticker, engine size RR 2023 - 280           | 1        |
| 14 | 15082TR113 | Adhesivos cilindrada RR 2023 - 300                       | Sticker, engine size RR 2023 - 300           | 1        |

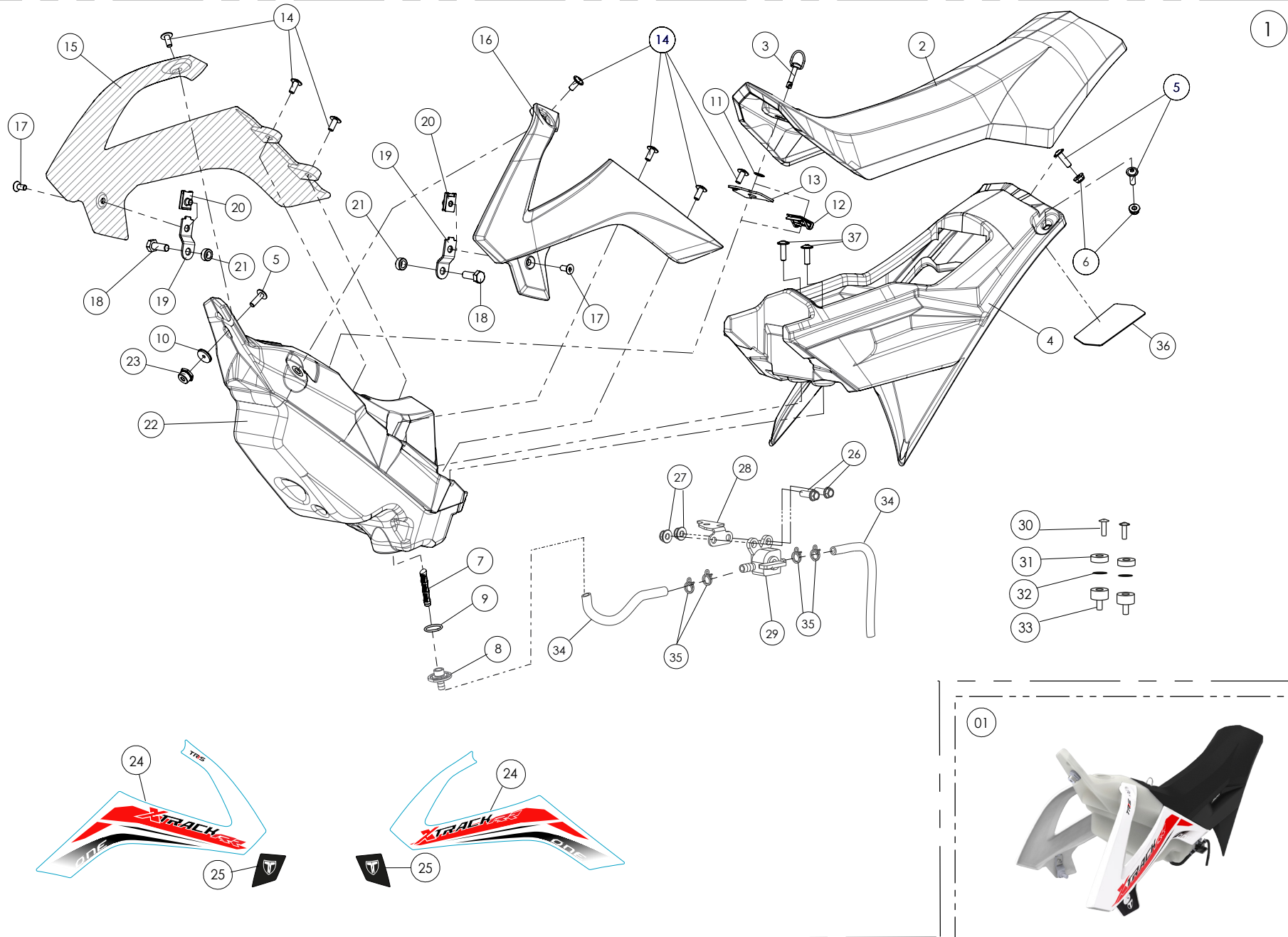



D

C

B

A



 This kit is a competition accessory only and is not manufactured for, nor should it be used on public streets, roads or highways. The use of this kit should be limited to participation in sanctioned competition events upon a closed course.



16 - KX - KIT XTRACK/ XTRACK KIT  
TRRS Motorcycles



## Despiece TRRS Raga Racing 2023 Electric Start

| Nº | Código     | Descripción                                 | Description                          | Cantidad |
|----|------------|---------------------------------------------|--------------------------------------|----------|
| 1  | 17000TR204 | Conjunto XTrack RR '23                      | X-Track RR Kit '23                   | 1        |
| 2  | 17001TR100 | Asiento X-Track                             | Foam Seat X-Track                    | 1        |
| 3  | 58018      | Cierre 1/4 de vuelta                        | Quarter turn screw                   | 1        |
| 4  | 17002TR100 | Subchasis Xtrack                            | Subframe Xtrack                      | 1        |
| 5  | 50212      | Tornillo allen con valona M6x25             | Screw allen with washer M6x25        | 3        |
| 6  | 51501      | Tuerca Autoblocante M6                      | Locknut M6                           | 2        |
| 7  | 70128      | Filtro gasolina roscado                     | Fuel filter threaded                 | 1        |
| 8  | 17014TR100 | Adaptador deposito gasolina (Keihin)        | Fuel tank adapter (Keihin)           | 1        |
| 9  | 53022      | Junta tórica 18X2 NBR                       | O-ring 18x2 NBR                      | 1        |
| 10 | 56901      | Arandela Metal - Goma Depósito Gasolina     | Washer, rubber-metal, fuel tank      | 1        |
| 11 | 58019      | Reten a presión acero inoxidable            | Panex retainer quarter turn screw    | 1        |
| 12 | 58017      | Grapa cierre 1/4 de vuelta                  | Quarter turn clamp                   | 1        |
| 13 | 17009TR100 | Soporte delantero asiento                   | Seat front support                   | 1        |
| 14 | 50209      | Tornillo allen con valona M6x14             | Screw allen with washer M6x14        | 7        |
| 15 | 17004TR100 | Aleta derecha Xtrack                        | Spoiler Xtrack right side            | 1        |
| 16 | 17003TR100 | Aleta izquierda Xtrack                      | Spoiler Xtrack left side             | 1        |
| 17 | 50306      | Tornillo avellanado M6x16                   | Bolt countersunk M6x16               | 2        |
| 18 | 50504      | Tornillo M8x22 DIN 933 zincado blanco (8.8) | Bolt M8x22 DIN 933 zinc plated (8.8) | 2        |
| 19 | 17018TR100 | Soporte aleta X-Track                       | Support Spoiler X-track              | 2        |
| 20 | 51301      | Tuerca rápida universal M6                  | Universal clip-nut, M6               | 2        |
| 21 | 17008TR100 | Separador soporte aleta                     | Spacer spoiler support               | 2        |
| 22 | 17006TR101 | Deposito gasolina Xtrack translúcido        | Translucent fuel tank Xtrac          | 1        |
| 23 | 17017TR100 | Adaptador deposito / chasis                 | Adapter fuel tank / frame            | 1        |
| 24 | 15082TR122 | Adhesivo Aleta Xtrack RR 2023               | Sticker, spolier Xtrack RR 2023      | 1        |
| 25 | 15067TR104 | Adhesivo Aleta Inferior XTRACK              | Sticker, low spoiler XTRACK          | 1        |
| 26 | 50903      | Tornillo hexagonal con valona M6x16         | Bolt hexagonal with washer M6x16     | 2        |
| 27 | 51501      | Tuerca Autoblocante M6                      | Locknut M6                           | 2        |
| 28 | 17016TR100 | Soporte grifo gasolina                      | Fuel tap support                     | 1        |
| 29 | 70127      | Grifo gasolina en linea (leva metalica)     | In line fuel tap (metal lever)       | 1        |



## Despiece TRRS Raga Racing 2023 Electric Start

| Nº | Código     | Descripción                                       | Description                                      | Cantidad |
|----|------------|---------------------------------------------------|--------------------------------------------------|----------|
| 30 | 50202      | Tornillo DIN 7380-fl M6x16 - Guardabarros Trasero | Bolt, DIN 7380-fl M6x16 - Rear mudguard (fender) | 2        |
| 31 | 17019TR100 | Distanciador 6x20x5                               | Spacer 6x20x5                                    | 2        |
| 32 | 53023      | Torica 5,5x1,5 NBR                                | O-ring 5,5x1,5 NBR                               | 2        |
| 33 | 63003      | Silentblock M6 20x10                              | Silentblock M6 20x10                             | 2        |
| 34 | 62102      | Tubo goma grifo gasolina                          | Fuel-valve, hose                                 | 2        |
| 35 | 58021      | Abrazadera de alambre (9,8/10,4)                  | Wire clip (9,8/10,4)                             | 4        |
| 36 | 17024TR100 | Protector goma subchasis Xtrack                   | Protector rubber Xtrack subframe                 | 1        |
| 37 | 50211      | Tornillo ISO 7380-2 M6x20 zincado blanco (10.9)   | Bolt, ISO 7380-2 M6x20 zinc plated (10.9)        | 2        |



5

4

3

2

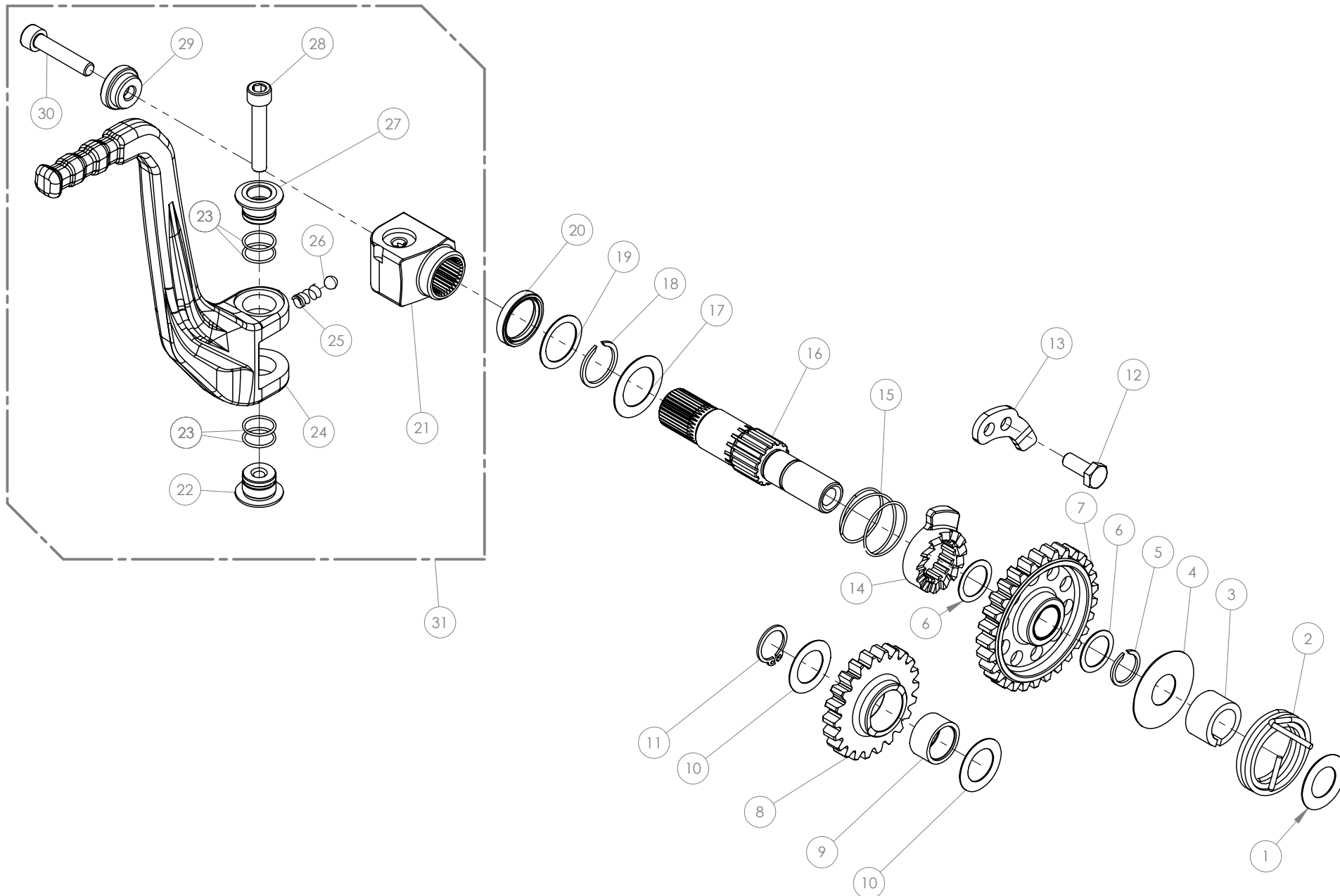
1

D

C

B

A





## Despiece TRRS Raga Racing 2023 Electric Start

## 01 - AP - Arranque Palanca / Pedal Start

| Nº | Código     | Descripción                                         | Description                                        | Cantidad |
|----|------------|-----------------------------------------------------|----------------------------------------------------|----------|
| 1  | 01001MT100 | Arandela Interna Arranque 25x14x0.5                 | Washer, internal kick-start 25x14x0.5              | 1        |
| 2  | 01002MT101 | Muelle Arranque                                     | Spring, kick-start                                 | 1        |
| 3  | 01018MT100 | Casquillo eje arranque                              | Spacer, kick starter                               | 1        |
| 4  | 01019MT100 | Arandela muelle arranque 14x35x0,5                  | Washer, kick starter spring                        | 1        |
| 5  | 55010      | Circlip Arranque DIN-471 Ø14x1                      | Circlip, kick starter DIN-471Ø14 x1                | 1        |
| 6  | 01020MT100 | Arandela piñon arranque 14x19x0,5                   | Washer, Kick starter gear                          | 2        |
| 7  | 01026MT100 | Piñon arranque                                      | Gear kick starter assembly                         | 1        |
| 8  | 01027MT100 | Piñon Intermedio Arranque                           | Gear, intermediate kick-start                      | 1        |
| 9  | 52513      | Rodamiento agujas Piñón Intermedio K15x19x10        | Bearing needle                                     | 1        |
| 10 | 01015MT100 | Arandela Piñon Intermedio Arranque 24x15x0.5        | Washer, intermediate kick-start gear 24x15x0.5     | 2        |
| 11 | 55002      | Circlip Piñón Intermedio Arranque 15X1 DIN-471      | Circlip, intermediate kick-start gear 15x1 DIN-471 | 1        |
| 12 | 50503      | Tornillo Hexagonal                                  | Bolt hexagonal                                     | 1        |
| 13 | 01025MT100 | Chapa tope trinquete                                | Ratchet cam                                        | 1        |
| 14 | 01022MT100 | Trinquete arranque                                  | Kick starter ratchet                               | 1        |
| 15 | 01023MT100 | Muelle trinquete arranque                           | Spring, kick starter ratched                       | 1        |
| 16 | 01024MT100 | Eje arranque                                        | Kick starter shaft                                 | 1        |
| 17 | 01028MT100 | Arandela Ø14Ø28x0.5                                 | Washer                                             | 1        |
| 18 | 55011      | Circlip DIN-471 Ø18 x1.2                            | Circlip DIN-471Ø18 x1.2                            | 1        |
| 19 | 01008MT101 | Arandela Eje Arranque 18X24X0,5                     | Washer, kick-start shaft 18x24x0.5                 | 1        |
| 20 | 54003      | Retén Arranque 18x24x4                              | Seal, kick-start 18x24x4                           | 1        |
| 21 | 01010MT100 | Muñequilla Pedal Arranque                           | Fulcrum, kick-start pedal                          | 1        |
| 22 | 01011MT100 | Casquillo Pedal Arranque - Inferior                 | Bushing, kick-start pedal (lower)                  | 1        |
| 23 | 53007      | Tórica Muñequilla Nbr 12X1                          | O-ring, starter fulcrum Nbr 12x1                   | 4        |
| 24 | 01014MT100 | Pedal Arranque Trs                                  | Pedal, kick-start                                  | 1        |
| 25 | 01013MT100 | Muelle posicionador palanca arranque                | Spring, kickstart position                         | 1        |
| 26 | 60002      | Bola Pedal Arranque F84Kug5,556                     | Ball, kick-start retention                         | 1        |
| 27 | 01009MT100 | Casquillo Pedal Arranque - Superior                 | Bushing, kick-start pedal (upper)                  | 1        |
| 28 | 50113      | Tornillo Pedal Arranque Din 912 M6X1X35             | Bolt, kick-start pedal DIN 912 M6x1x35             | 1        |
| 29 | 01012MT101 | Casquillo sujeccion palanca arranque anodizado rojo | Kick-start bushing red anodized                    | 1        |
| 30 | 50110      | Tornillo Din 912 M6X25 Muñequilla Arranque          | Bolt, Din 912 M6x25 kick-start fulcrum             | 1        |
| 31 | 01017MT100 | Conjunto Palanca                                    | Set, Starting Pedal                                | 1        |

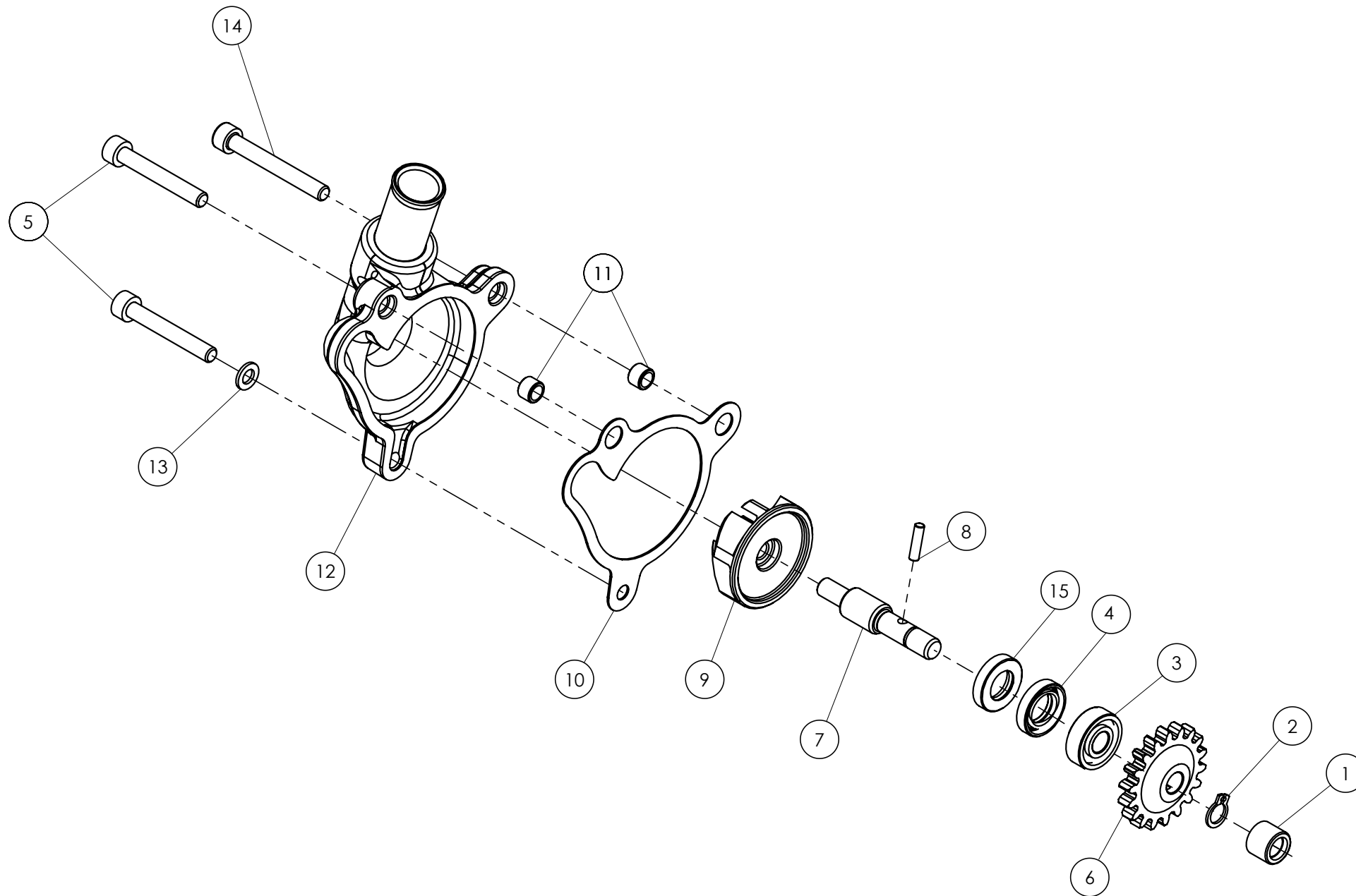


D

C

B

A

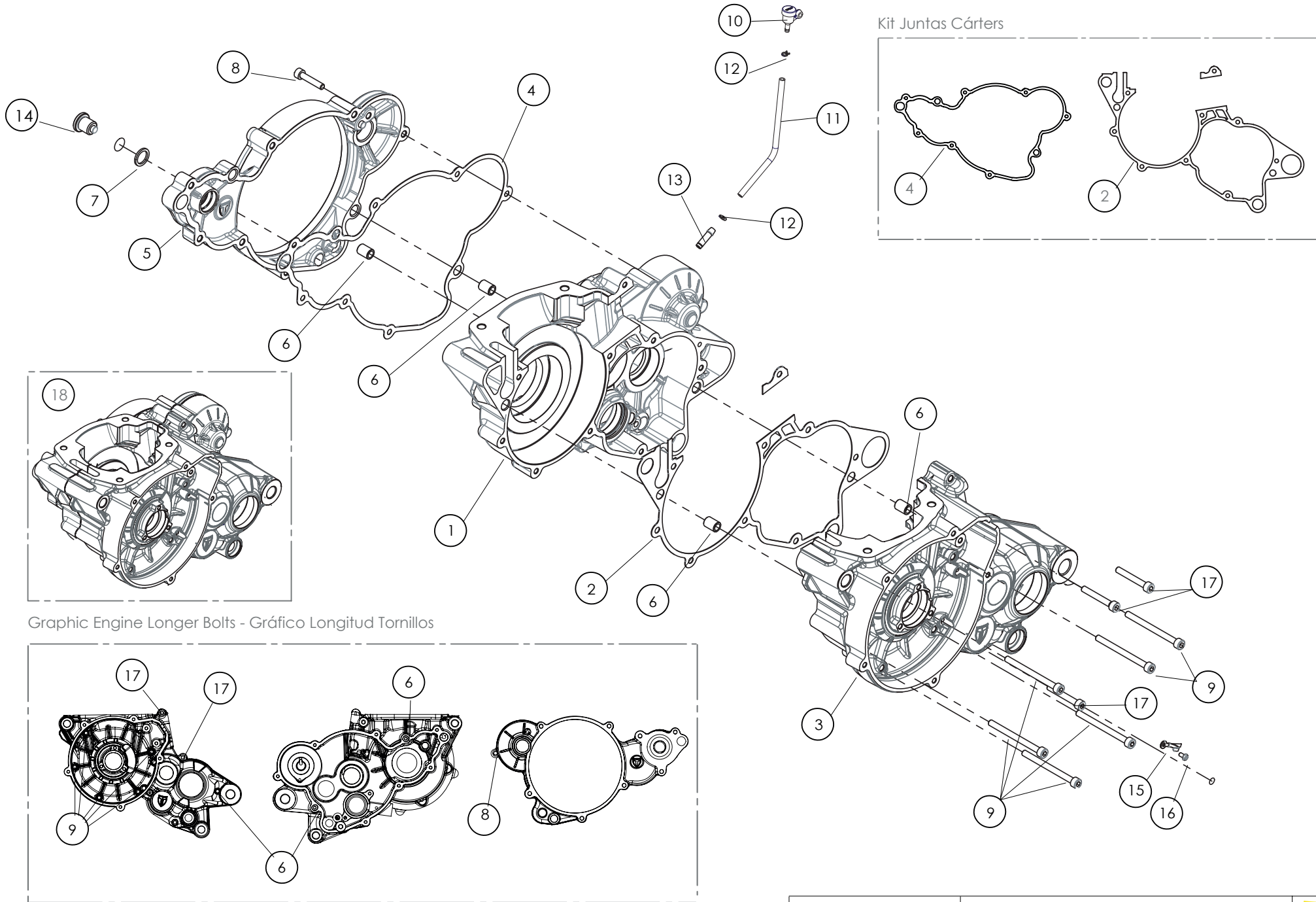


## Despiece TRRS Raga Racing 2023 Electric Start

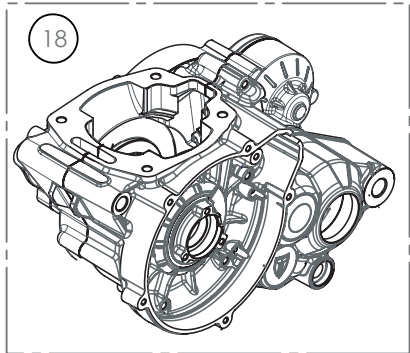
## 02 - BA - Bomba Agua / Water Pump

| Nº | Código     | Descripción                      | Description                           | Cantidad |
|----|------------|----------------------------------|---------------------------------------|----------|
| 1  | 52504      | Rodamiento Agujas HK0709         | Needle bearing HK0709                 | 1        |
| 2  | 55003      | Circlip 7x0,8 Din-471            | Circlip 7x0,8 Din-471                 | 1        |
| 3  | 52102      | Rodamiento Bomba 19x7x6 607      | Bearing, water-pump 19x7x6 607        | 1        |
| 4  | 54009      | Retén Bomba Agua 10x18x4 NBR     | Seal, water-pump 10x18x4 NBR          | 1        |
| 5  | 50116      | Tornillo Allen DIN 912 M5x35     | Bolt, Allen DIN 912 M5x35             | 2        |
| 6  | 02001MT100 | Piñón Bomba Agua                 | Gear, water-pump                      | 1        |
| 7  | 02002MT100 | Eje Bomba agua                   | Shaft, water pump                     | 1        |
| 8  | 61002      | Aguja Eje Piñon Bomba Ø3x12      | Needle, pump shaft gear Ø3X12         | 1        |
| 9  | 02003MT100 | Turbina Bomba Agua               | Turbine, water-pump                   | 1        |
| 10 | 02008MT100 | Junta Bomba Agua                 | Gasket, water-pump                    | 1        |
| 11 | 57005      | Casquillo Centrador Ø5x7x5       | Pivot Cap, Ø5x7x5                     | 2        |
| 12 | 02009MT100 | Cjto. Tapa bomba agua            | Water-pump cover set                  | 1        |
| 13 | 56103      | Arandela Cooper Tapa Bomba 5x9x1 | Copper washer, water-pump cover 5x9x1 | 1        |
| 14 | 50115      | Tornillo Allen DIN 912 M5x40     | Bolt, Allen DIN 912 M5x40             | 1        |
| 15 | 54004      | Retén Bomba Agua 10x18x4 Viton   | Seal, water-pump 10x18x4 Viton        | 1        |

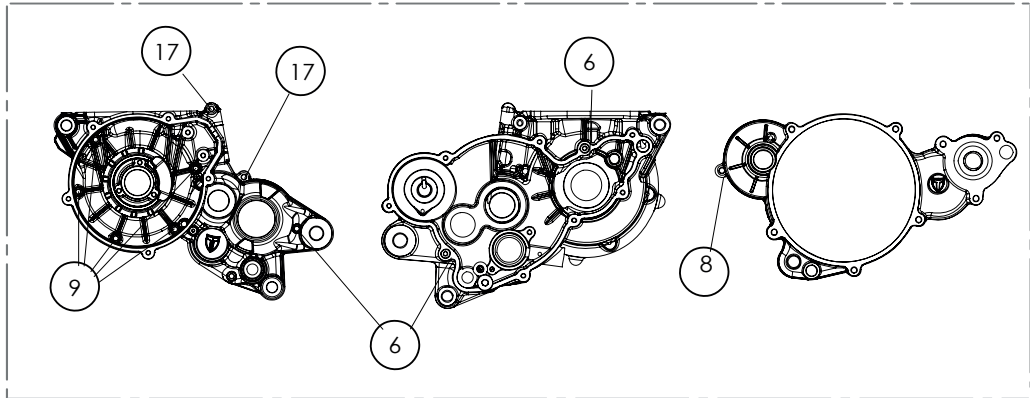




Kit Juntas Cárters



Graphic Engine Longer Bolts - Gráfico Longitud Tornillos



## Despiece TRRS Raga Racing 2023 Electric Start

03 - CM - Cárters Motor / Engine Case Halve

| Nº | Código     | Descripción                                  | Description                                | Cantidad |
|----|------------|----------------------------------------------|--------------------------------------------|----------|
| 1  | 03022MT100 | Carter derecho II                            | <i>Crankcase right II</i>                  | 1        |
| 2  | 03024MT100 | Junta carter central II                      | <i>Engine case gasket II</i>               | 1        |
| 3  | 03023MT100 | Carter izquierdo arranque electrico II       | <i>Left crankcase electric starter II</i>  | 1        |
| 4  | 03011MT100 | Junta carter embrague                        | <i>Gasket, clutch cover</i>                | 1        |
| 5  | 03018MT100 | Tapa interior embrague                       | <i>Inner clutch cover</i>                  | 1        |
| 6  | 57002      | Centrador carter                             | <i>Centering bushing, crank case</i>       | 4        |
| 7  | 56104      | Arandela 12X16X1.5 cobre                     | <i>Copper washer, 12x16x1.5</i>            | 3        |
| 8  | 50121      | Tornillo allen M5X30                         | <i>Bolt allen M5x30</i>                    | 1        |
| 9  | 50117      | Tornillo allen M5X60                         | <i>Bolt allen M5x60</i>                    | 6        |
| 10 | 01018TR100 | Depósito desvaporizador                      | <i>Ventilation reservoir</i>               | 1        |
| 11 | 62104      | Tubo tubo goma desvaporizador carter         | <i>Rubber hose crankcase vent</i>          | 1        |
| 12 | 58010      | Clip Tubo desvaporizador                     | <i>Clip, vent hose retention</i>           | 2        |
| 13 | 704A0      | Racord desvaporizador metal                  | <i>Breather straight tube</i>              | 1        |
| 14 | 03003MT100 | Tapón vaciado aceite con imán                | <i>Drain plug oil with magnet</i>          | 2        |
| 15 | 58016      | Abrazadera regulable revestida con vinilo Ø3 | <i>Adjustable clamp vinyl coated Ø3</i>    | 1        |
| 16 | 50B01      | Tornillo M3x6 Phillips                       | <i>Bolt M3x6 Phillips</i>                  | 1        |
| 17 | 50116      | Tornillo allen M5X35                         | <i>Bolt allen M5x35</i>                    | 3        |
| 18 | 03026MT100 | Conjunto carteres arranque electrico II      | <i>Engine case set electric starter II</i> | 1        |

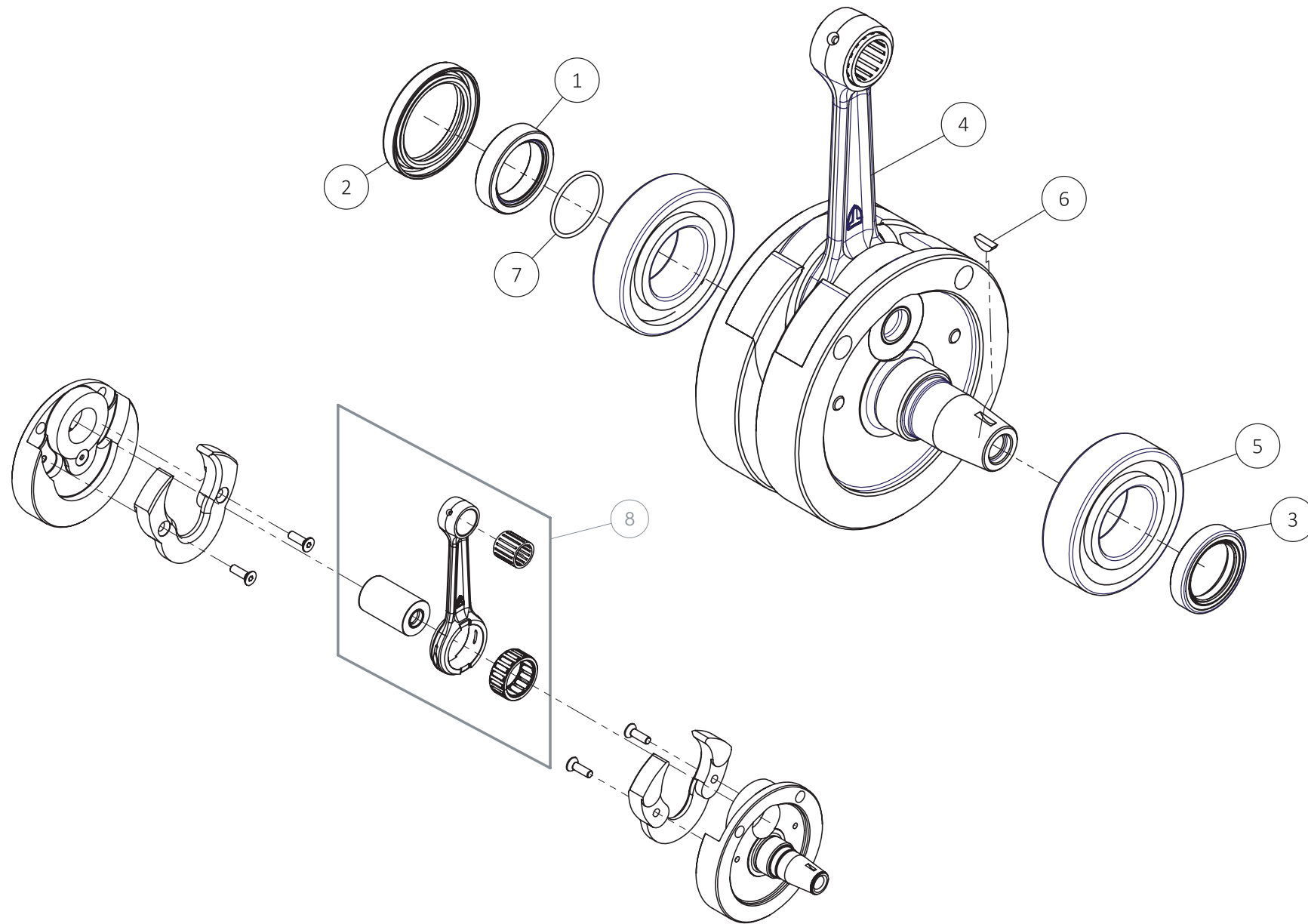


D

C

B

A



## Despiece TRRS Raga Racing 2023 Electric Start

04 - CM - Cigüeñal / Crankshaft (250-280-300 cc)

| Nº | Código     | Descripción                     | Description                        | Cantidad |
|----|------------|---------------------------------|------------------------------------|----------|
| 1  | 04023MT100 | Casquillo piñón salida cigüeñal | <i>Bushing, primary gear</i>       | 1        |
| 2  | 54011      | Reten doble labio (Primario)    | <i>Double Lip Seal</i>             | 1        |
| 3  | 54005      | Retén cigüeñal volante          | <i>Seal, crankshaft magneto</i>    | 1        |
| 4  | 04025MT100 | Cigüeñal arranque electrico     | <i>crankshaft electric starter</i> | 1        |
| 5  | 52109      | Rodamiento de bolas             | <i>Ball bearing</i>                | 2        |
| 6  | 59001      | Chaveta volante magnético       | <i>Key, magneto flywheel</i>       | 1        |
| 7  | 53016      | Tórica 25x1,5                   | <i>O-ring 25x1,5</i>               | 1        |
| 8  | 04003MT100 | Kit biela                       | <i>Rod kit</i>                     | 1        |

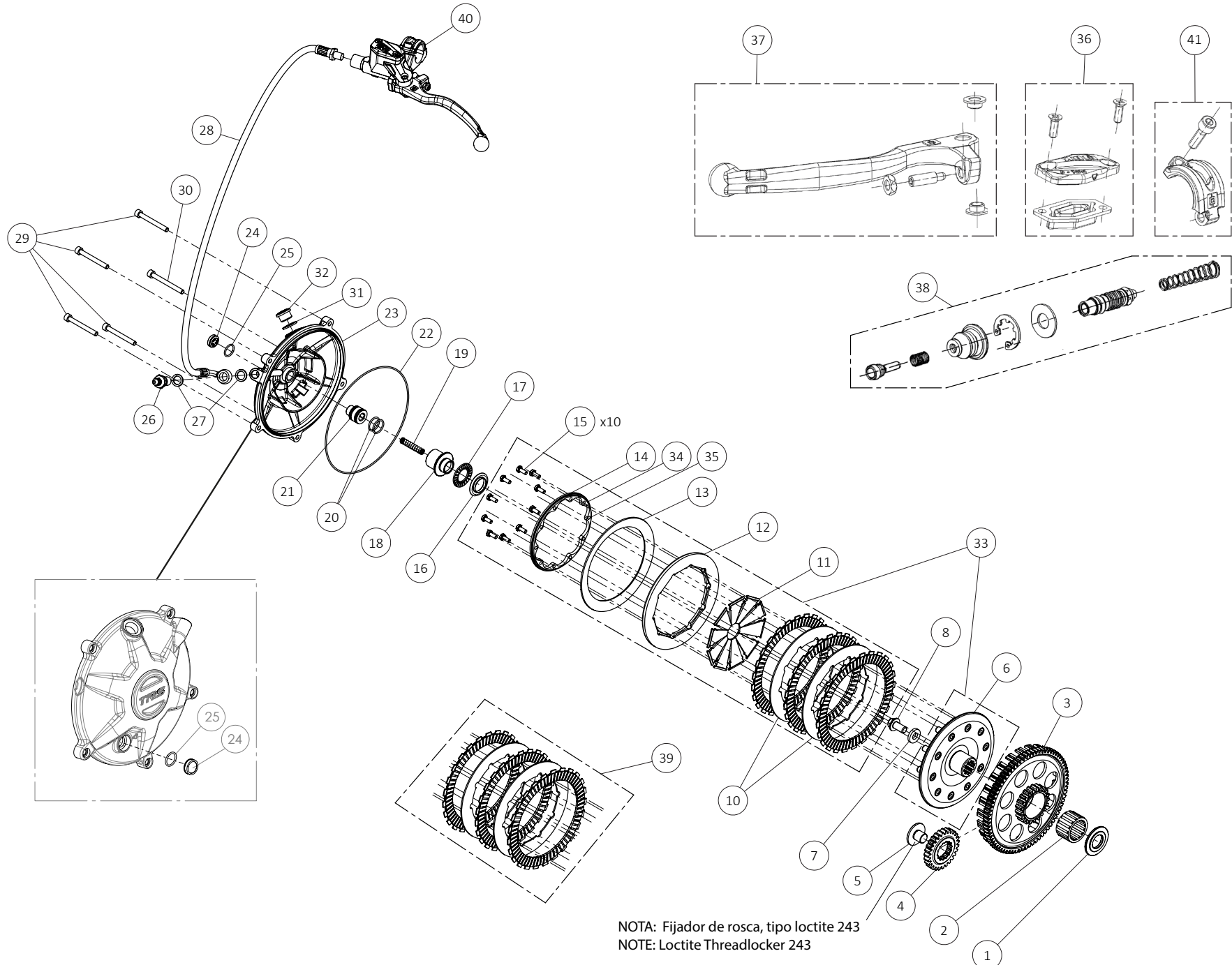


D

C

B

A



NOTA: Fijador de rosca, tipo loctite 243  
 NOTE: Loctite Threadlocker 243



05 - CE - Conjunto Embrague / Clutch set  
 TRRS Motorcycles





## Despiece TRRS Raga Racing 2023 Electric Start

## 05 - CE - Conjunto Embrague / Clutch set

| Nº | Código     | Descripción                                 | Description                                       | Cantidad |
|----|------------|---------------------------------------------|---------------------------------------------------|----------|
| 1  | 05001MT100 | Arandela distanciador embrague              | Washer, clutch spacer                             | 1        |
| 2  | 52505      | Rodamiento Agujas Campana K25x33x20         | Needle bearing, clutch hub K25x33x20              | 1        |
| 3  | 05004MT100 | Campana embrague                            | Clutch hub                                        | 1        |
| 4  | 05019MT100 | Piñón transmisión primario                  | Primary gear                                      | 1        |
| 5  | 05020MT100 | Tornillo piñón primario                     | Bolt, Primary gear                                | 1        |
| 6  | 05005MT100 | Cubo embrague                               | Outer clutch hub set                              | 1        |
| 7  | 05006MT100 | Arandela apriete cubo                       | Washer, clutch hub retention                      | 1        |
| 8  | 50904      | Tornillo M8x16 (10.9)                       | Bolt, M8x16 (10.9)                                | 1        |
| 10 | 05028MT100 | Disco metálico embrague 1,6mm               | Metal disc, clutch 1,6mm                          | 2        |
| 11 | 05009MT100 | Chapa palanca embrague                      | Plate, clutch actuation                           | 10       |
| 12 | 05010MT100 | Prensa embrague                             | Pressure plate, clutch                            | 1        |
| 13 | 05011MT100 | Muelle prensa                               | Spring, clutch (belville)                         | 1        |
| 14 | 05012MT100 | Soporte muelle embrague (MED)               | Clutch spring suport (MED)                        | 1        |
| 15 | 50502      | Tornillo DIN 933 M4x10 - Fijador Muelle     | Bolt, DIN 933 M4x10 - Clutch compression ring     | 10       |
| 16 | 05013MT100 | Casquillo rodamiento embrague               | Bushing, clutch bearing                           | 1        |
| 17 | 52506      | Rodamiento agujas axial AXK1103             | Trust needle roller AXK1103                       | 1        |
| 18 | 05014MT101 | Bombin embrague                             | Clutch cylinder                                   | 1        |
| 19 | 05016MT100 | Muelle pistón embrague                      | Spring, clutch piston                             | 1        |
| 20 | 53010      | Tórica embrague 15x1,5 NBR - Pistón Interno | O-ring, clutch 15x1.5 NBR - slave piston internal | 2        |
| 21 | 05015MT101 | Piston bombin embrague bajo                 | Internal piston clutch bajo                       | 1        |
| 22 | 53011      | Tórica Tapa Embrague 135x1,5                | O-ring, clutch cover 135x1.5                      | 1        |
| 23 | 05027MT100 | Tapa embrague con mirilla aceite            | Clutch cover with oil window sight                | 1        |
| 24 | 70919      | Mirilla nivel aceite                        | Oil window sight                                  | 1        |
| 25 | 53028      | Torica 11.5x1,5 NBR                         | O-Ring 11,5x1,5 NBR                               | 1        |
| 26 | 70901      | Racord M10 Tapa Embrague                    | Bleeder valve, clutch cover (Banjo)               | 1        |
| 27 | 56101      | Arandela Al. 10x14x1,5                      | Washer, Al. 10x14x1.5                             | 2        |
| 28 | 70902      | Latiguillo embrague                         | Clutch hose                                       | 1        |
| 29 | 50119      | Tornillo DIN 912 M5x45 - Tapa Embrague      | Bolt, DIN 912 M5x45- Clutch cover                 | 4        |
| 30 | 50123      | Tornillo DIN 912 M5x50 - Tapa Embrague      | Bolt, DIN 912 M5x50- Clutch cover                 | 1        |
| 31 | 56106      | Arandela 14X18X1.5 Copper                   | Copper Washer, 14x18x1.5                          | 1        |



## Despiece TRRS Raga Racing 2023 Electric Start

## 05 - CE - Conjunto Embrague /Clutch set

| Nº | Código            | Descripción                         | Description                                    | Cantidad |
|----|-------------------|-------------------------------------|------------------------------------------------|----------|
| 32 | <b>06018MT101</b> | Tapón allen aluminio anodizado rojo | <i>Cap, allen aluminium red anodized</i>       | 1        |
| 33 | <b>70907</b>      | Conjunto Embrague Completo          | <i>Complete clutch assembly</i>                | 1        |
| 34 | <b>05023MT100</b> | Soporte muelle embrague (DURO)      | <i>Clutch spring support (HARD)</i>            | 1        |
| 35 | <b>05024MT100</b> | Soporte muelle embrague (BLANDO)    | <i>Clutch spring support (SOFT)</i>            | 1        |
| 36 | <b>70910</b>      | Tapa depósito bomba embrague        | <i>Cover kit, clutch master cylinder</i>       | 1        |
| 37 | <b>70905</b>      | Maneta Embrague                     | <i>Clutch lever (handle)</i>                   | 1        |
| 38 | <b>70914</b>      | Conjunto piston bomba embrague      | <i>Rep. Piston Kit, clutch master cylinder</i> | 1        |
| 39 | <b>05018MT100</b> | Conjunto discos embrague            | <i>Clutch disc set</i>                         | 1        |
| 40 | <b>70917</b>      | Cjto. bomba embrague                | <i>Master cylinder clutch kit</i>              | 1        |
| 41 | <b>70918</b>      | Brida bomba anodizado rojo          | <i>Clamp, master cylinder red anodized</i>     | 1        |

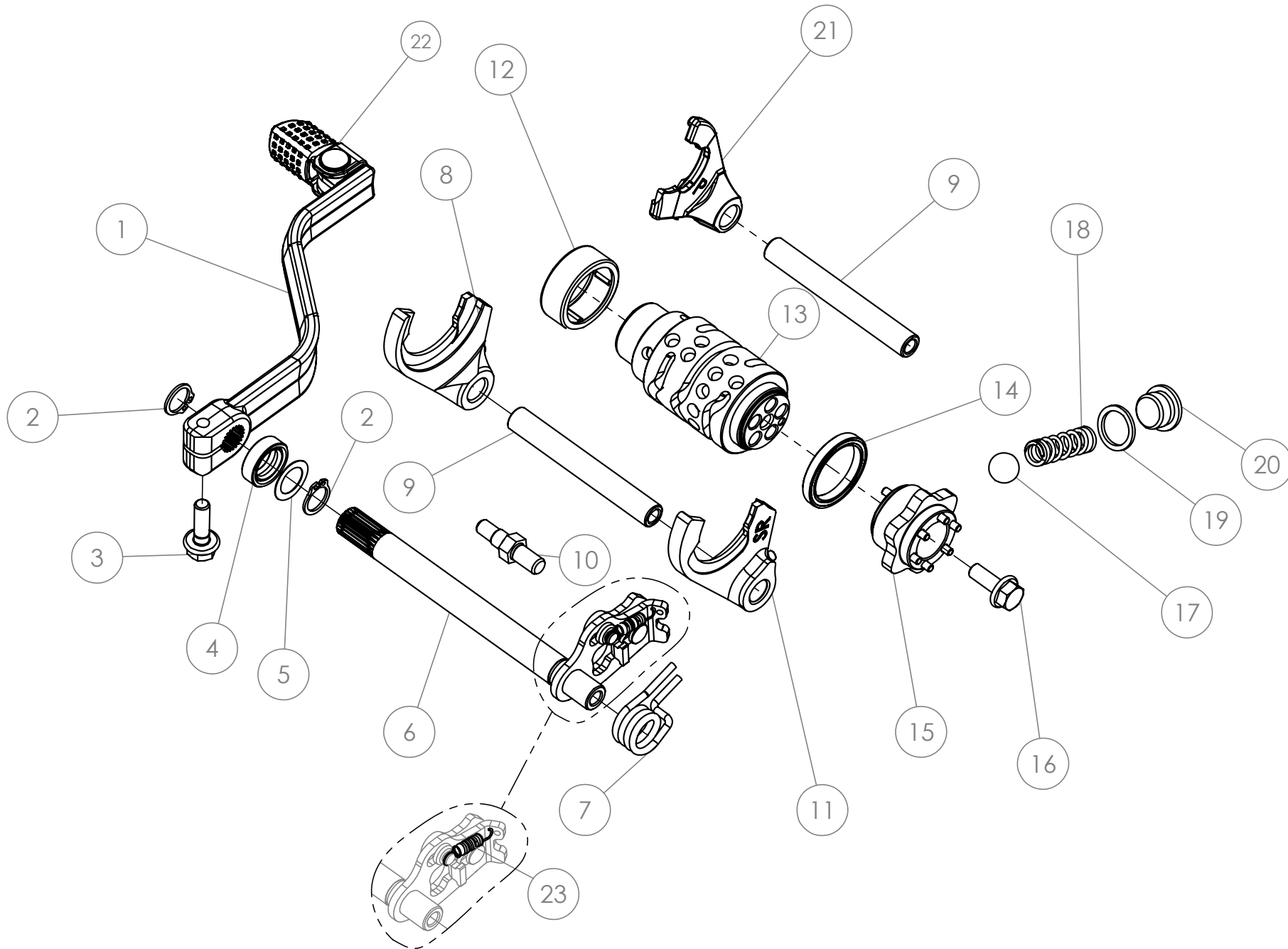


D

C

B

A



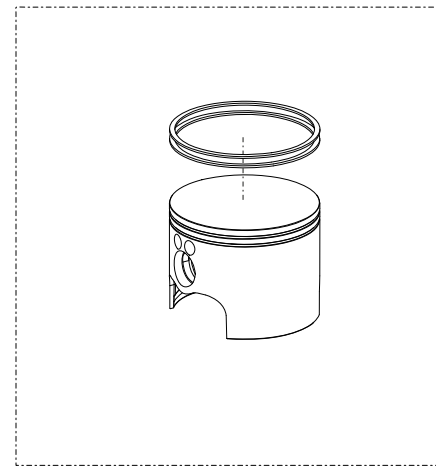
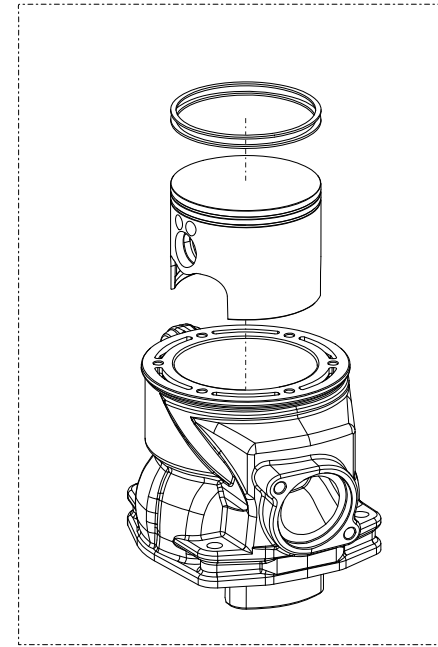
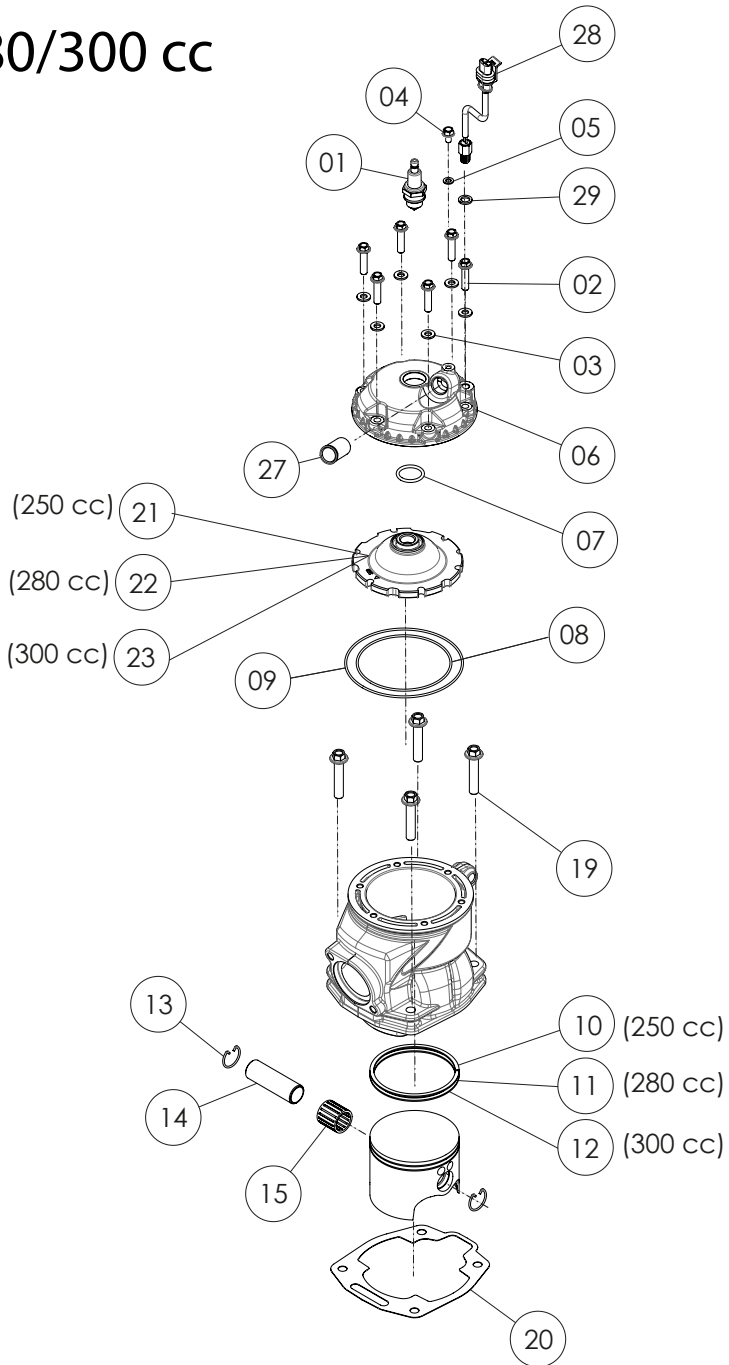
## Despiece TRRS Raga Racing 2023 Electric Start

06 - SC - Selector Cambio / Shift set

| Nº | Código     | Descripción                                     | Description                                 | Cantidad |
|----|------------|-------------------------------------------------|---------------------------------------------|----------|
| 1  | 06001MT102 | Conjunto Palanca Cambio arranque eléctrico      | Complete shift pedal electric start         | 1        |
| 2  | 55004      | Circlip DIN-471-Ø12                             | Circlip DIN-471-Ø12                         | 2        |
| 3  | 50909      | Tornillo DIN 6921 M6x20 Hexagonal               | Bolt, DIN 6921 M6x20 hex-head               | 1        |
| 4  | 54006      | Retén Eje Cambio 12x20x6                        | Seal, shift shaft 12x20x6                   | 1        |
| 5  | 06002MT100 | Arandela 12x18x0.3                              | Washer 12x18x0.3                            | 1        |
| 6  | 06027MT100 | Eje selector completo                           | Shifting shaft set                          | 1        |
| 7  | 06031MT100 | Muelle eje selector                             | Spring, shifting shaft                      | 1        |
| 8  | 06006MT100 | Horquilla secundario Izquierda SL               | Fork, secondary left SL                     | 1        |
| 9  | 06007MT100 | Eje Horquillas                                  | Shaft, shift fork                           | 2        |
| 10 | 06003MT100 | Tope Recorrido Selector                         | Stop, shift shaft                           | 1        |
| 11 | 06008MT100 | Horquilla secundario derecha SR                 | Fork, secondary right SR                    | 1        |
| 12 | 52507      | Rodamiento Izquierdo Desmodrómico HK2512        | Bearing, left Shift drum HK2512             | 1        |
| 13 | 06039MT100 | Desmodrómico (Ligero)                           | Shift roller (Lightweight)                  | 1        |
| 14 | 52103      | Rodamiento Derecha Desmodromico Bolas 61705-SRS | Bearing, shift drum right - balls 61705-SRS | 1        |
| 15 | 06032MT100 | Conjunto estrella desmo                         | Gearshift set                               | 1        |
| 16 | 50903      | Tornillo DIN 6921 M6x16                         | Bolt, DIN 6921 M6x16                        | 1        |
| 17 | 60003      | Bola Fijador Marchas Kug 11,906                 | Ball, gear selector position Kug 11.906     | 1        |
| 18 | 06029MT100 | Muelle Fijador Marchas                          | Spring, gear selector tension               | 1        |
| 19 | 56106      | Arandela 14X18X1.5 Copper                       | Copper Washer, 14x18x1.5                    | 1        |
| 20 | 06018MT100 | Tapón allen aluminio                            | Cap, allen aluminium                        | 1        |
| 21 | 06017MT100 | Horquilla primario                              | Fork, primary                               | 1        |
| 22 | 70451      | Kit Reparación Palanca Selector                 | Repair kit, shift pedal tip                 | 1        |
| 23 | 06030MT100 | Muelle selector marchas                         | Spring tensioning, shifting plate           | 1        |



# 250/280/300 cc



## Despiece TRRS Raga Racing 2023 Electric Start

07 - CP - Cilindro y Pistón / Cylinder &amp; Piston (250 - 280 - 300cc) Listado de Piezas

| Nº  | Código     | Descripción                                          | Description                                | Cantidad |
|-----|------------|------------------------------------------------------|--------------------------------------------|----------|
| 1   | 70205      | Bujia NGK BPMR6A                                     | Spark plug NGK BPMR6A                      | 1        |
| 2   | 50911      | Tornillo DIN 6921 M6X25 Culata                       | Bolt, DIN 6921 M6x25 Cylinder head         | 6        |
| 3   | 56105      | Arandela Tornillo Culata 6x12x1.5 Copper             | Copper washer, cylinder head bolt 6x12x1.5 | 6        |
| 4   | 50912      | Tornillo Din 6921 M5X8 Sangrador Culata              | Bolt, DIN 6921 M5x8 Cylinder head bleeder  | 1        |
| 5   | 56103      | Arandela Tornillo Sangrador Culata Tubo 5x9x1 Copper | Copper washer, cylinder head bleeder 5x9x1 | 1        |
| 6   | 07001MT102 | Tapa culata con sensor temperatura (roja)            | Cylinder head top cap with T. Sensor (red) | 1        |
| 7   | 53012      | Tórica Culatín Vitón 20x2,5                          | O-ring, Viton 20x2.5                       | 1        |
| 8   | 53013      | Tórica Culata Interior Vitón 81,2x1,78               | O-ring, Viton 81,2x1.78                    | 1        |
| 9   | 53014      | Tórica Culata Exterior Vitón 101,6x1,78              | O-ring, Viton 101,6x1.78                   | 1        |
| 10  | 70460      | Juego Segmentos 250                                  | Piston ring set, 250                       | 1        |
| 11  | 70461      | Juego Segmentos 280                                  | Piston ring set, 280                       | 1        |
| 12  | 70462      | Juego Segmentos 300                                  | Piston ring set, 300                       | 1        |
| 13  | 55005      | Circlip Bulón                                        | Clip, piston pin                           | 2        |
| 14  | 70463      | Bulón Piston                                         | Piston pin                                 | 1        |
| 15  | 52508      | Cojinete de agujas superior biela                    | Top rod cage bearing                       | 1        |
| 16A | 70465      | Conjunto Pistón A (250)                              | Piston, size A complete (250)              | 1        |
| 16B | 70466      | Conjunto Pistón B (250)                              | Piston, size B complete (250)              | 1        |
| 16C | 70467      | Conjunto Pistón C (250)                              | Piston, size C complete (250)              | 1        |
| 17A | 70477      | Conjunto Pistón A (280)                              | Piston, size A complete (280)              | 1        |
| 17B | 70478      | Conjunto Pistón B (280)                              | Piston, size B complete (280)              | 1        |
| 17C | 70479      | Conjunto Pistón C (280)                              | Piston, size C complete (280)              | 1        |
| 18A | 70480      | Conjunto Pistón A (300)                              | Piston, size A complete (300)              | 1        |
| 18B | 70481      | Conjunto Pistón B (300)                              | Piston, size B complete (300)              | 1        |
| 18C | 70482      | Conjunto Pistón C (300)                              | Piston, size C complete (300)              | 1        |
| 19  | 50917      | Tornillo hexagonal con arandela M8x35                | Bolt hexagonal with wahser M8x35           | 4        |
| 20  | 07002MT100 | Junta Cilindro 0,5                                   | Cylinder base gasket 0.5                   | 1        |
| 20  | 07009MT100 | Junta Cilindro 0,3                                   | Cylinder base gasket 0.3                   | 1        |
| 21  | 07003MT100 | Culatín Interno (250)                                | Interior cylinder head (250)               | 1        |
| 22  | 07004MT100 | Culatín Interno (280)                                | Interior cylinder head (280)               | 1        |



## Despiece TRRS Raga Racing 2023 Electric Start

07 - CP - Cilindro y Pistón / Cylinder &amp; Piston (250 - 280 - 300cc) -Listado de Piezas

| Nº | Código            | Descripción                      | Description                               | Cantidad |
|----|-------------------|----------------------------------|-------------------------------------------|----------|
| 23 | <b>07005MT100</b> | Culatín Interno (300)            | <i>Interior cylinder head (300)</i>       | 1        |
| 24 | <b>07006MT100</b> | Conjunto Cilindro Y Pistón (250) | <i>Complete cylinder and piston (250)</i> | 1        |
| 25 | <b>07007MT100</b> | Conjunto Cilindro Y Pistón (280) | <i>Complete cylinder and piston (280)</i> | 1        |
| 26 | <b>07008MT100</b> | Conjunto Cilindro Y Pistón (300) | <i>Complete cylinder and piston (300)</i> | 1        |
| 27 | <b>02006MT100</b> | Casquillo Manguito Agua          | <i>Bushing, water rubber hose</i>         | 1        |
| 28 | <b>70254</b>      | Sensor temperatura               | <i>Water temperature sensor</i>           | 1        |
| 29 | <b>56102</b>      | Arandela cobre 8x12x1,5          | <i>Copper washer, 8x12x1.5</i>            | 1        |

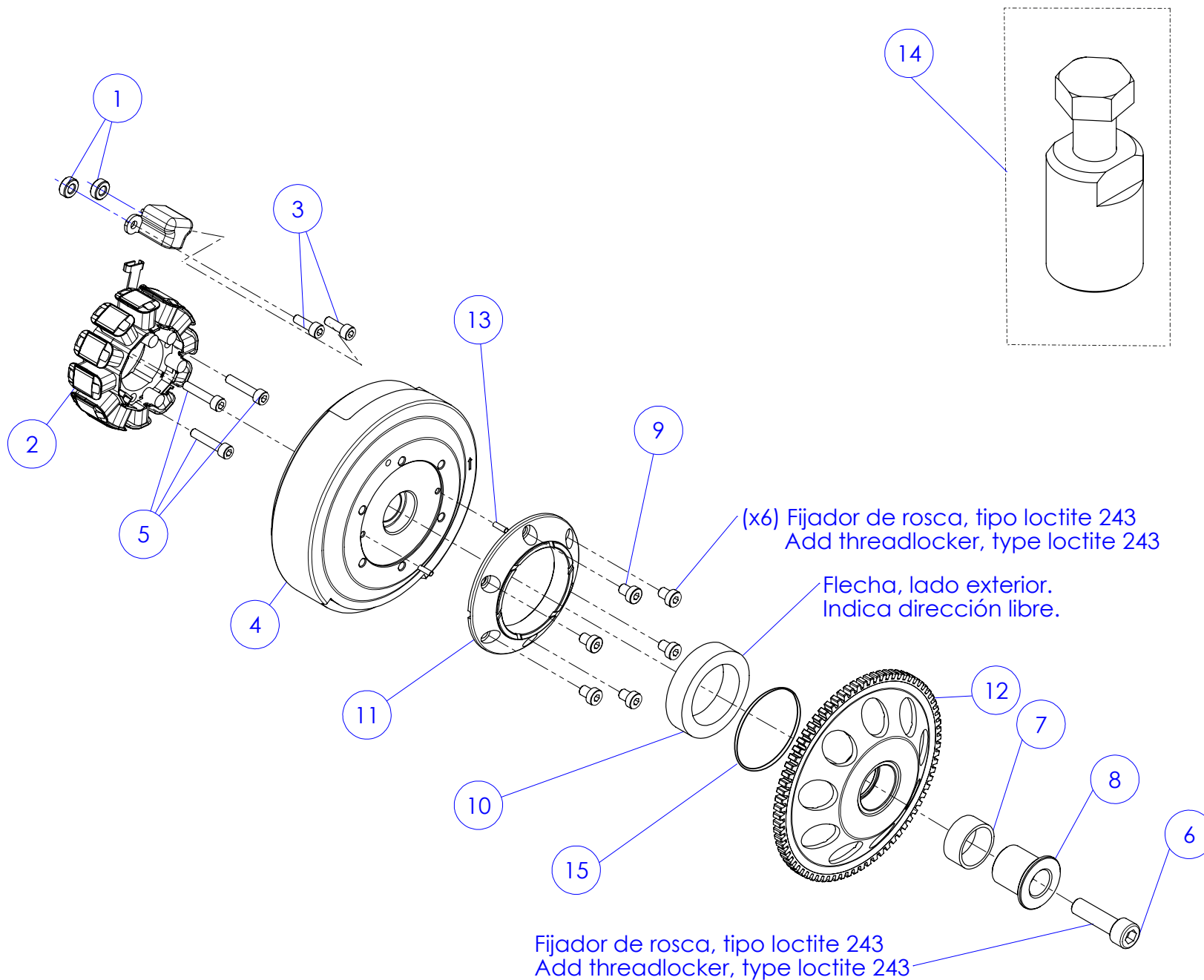


D

C

B

A





## Despiece TRRS Raga Racing 2023 Electric Start

08 - CE - Encendido / Ignition (250-280-300cc)

| Nº | Código            | Descripción                                    | Description                                      | Cantidad |
|----|-------------------|------------------------------------------------|--------------------------------------------------|----------|
| 1  | <b>10010MT100</b> | Casquillo distanciador pick-up                 | <i>Spacer bushing pick-up</i>                    | 2        |
| 2  | <b>70225</b>      | Estator + Pick-up                              | <i>Stator and pickup</i>                         | 1        |
| 3  | <b>50111</b>      | Tornillo allen M5x15                           | <i>Bolt, allen M5x15</i>                         | 2        |
| 4  | <b>70241</b>      | Volante magnetico arranque electrico           | <i>Flywheel ignition electric starter</i>        | 1        |
| 5  | <b>50121</b>      | Tornillo allen M5X25                           | <i>Bolt, allen M5x25</i>                         | 3        |
| 6  | <b>50125</b>      | Tornillo allen M10x35-1.25                     | <i>Screw allen M10x35-1.25</i>                   | 1        |
| 7  | <b>52516</b>      | Rodamiento agujas K25x29x13                    | <i>Needle bearing K25x29x13</i>                  | 1        |
| 8  | <b>08009MT100</b> | Eje rodamiento arranque electrico              | <i>Shaft bearing electric starter</i>            | 1        |
| 9  | <b>50A01</b>      | Tornillo M6x8 Allen cabeza baja                | <i>Bolt M6x8 Allen hexagon socket head cap</i>   | 6        |
| 10 | <b>52901</b>      | Rodamiento rueda libre                         | <i>Bearing free wheel</i>                        | 1        |
| 11 | <b>10014MT100</b> | Soporte rodamiento una direccion               | <i>One way bearing support</i>                   | 1        |
| 12 | <b>10006MT100</b> | Corona arranque electrico                      | <i>Hub electric starter</i>                      | 1        |
| 13 | <b>61001</b>      | Aguja Ø3X9.8                                   | <i>Needle, shift drum Ø3X9.8</i>                 | 2        |
| 14 | <b>08010MT100</b> | Extractor volante magnético M27                | <i>Removal tool M27, magneto flywheel</i>        | 1        |
| 15 | <b>52902</b>      | Muelle rodamiento rueda libre (solo recambios) | <i>Spring one way bearing (only spare parts)</i> | 1        |



5

4

3

2

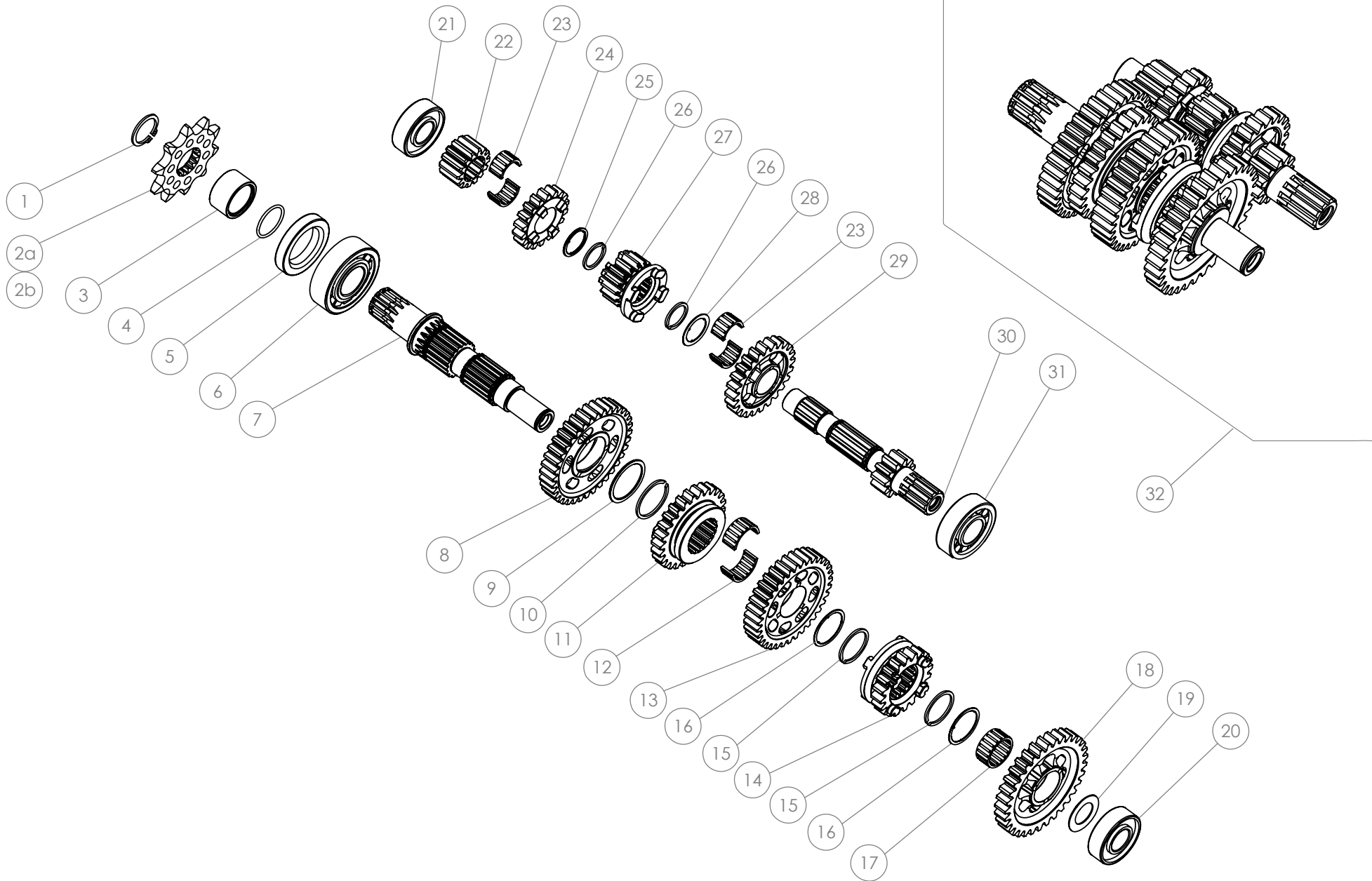
1

D

C

B

A



## Despiece TRRS Raga Racing 2023 Electric Start

09 - CM - Cambio / Gear Box

| Nº | Código     | Descripción                                    | Description                                    | Cantidad |
|----|------------|------------------------------------------------|------------------------------------------------|----------|
| 01 | 55012      | Circlip DIN-471 Ø19                            | Circlip DIN-471 Ø19                            | 1        |
| 2a | 09020MT100 | Piñon salida 10Z (250-280-300cc)               | Sprocket 10Z (250-280-300cc)                   | 1        |
| 2b | 09026MT100 | Piñon salida 11Z (solo recambios)              | Sprocket 11Z (only spare parts)                | 1        |
| 03 | 09021MT100 | Casquillo piñon salida                         | Bushing, sprocket                              | 1        |
| 04 | 53017      | Junta tórica Casquillo Piñon Salida 20X1,5     | O-ring, Bushing sprocket, 20X1,5               | 1        |
| 05 | 54010      | Retén Piñon Salida Doble Labio Ø26Ø40L7        | Double Lip Seal Ø26Ø40 L7                      | 1        |
| 06 | 52111      | Rodamiento de bolas 6204-C                     | Bearing 6204-C                                 | 1        |
| 07 | 09019MT100 | Eje Secundario                                 | Countershaft                                   | 1        |
| 08 | 09004MT100 | Piñón 2ª Secundario                            | Gear, 2nd, secondary                           | 1        |
| 09 | 09005MT100 | Arandela 30x25,1x1 Piñón 2ª Secundario         | Washer, 30x25,1x1 Secondary 2nd gear           | 1        |
| 10 | 55009      | Circlip SW 25x1.2                              | Circlip, SW 25x1.2                             | 1        |
| 11 | 09006MT100 | Piñón 4ª Secundario                            | Gear, 4th Secondary                            | 1        |
| 12 | 52509      | Rodamiento Agujas Partido K18x22x10D           | Needle bearing, two-piece K18x22x10D           | 1        |
| 13 | 09008MT100 | Piñón 3ª Secundario                            | Gear, 3rd Secondary                            | 1        |
| 14 | 09009MT100 | Piñón 5ª Secundario                            | Gear, 5th Secondary                            | 1        |
| 15 | 55007      | Circlip SW 22x1.2                              | Circlip, SW 22x1.2                             | 2        |
| 16 | 09007MT100 | Arandela 26x22x0,5 Piñón 3ª Secundario Dentada | Toothed washer, 26x22x0,5, 3rd gear, Secondary | 2        |
| 17 | 52510      | Rodamiento Agujas K18x22x10                    | Needle bearing, K18x22x10                      | 1        |
| 18 | 09010MT100 | Piñón 1ª Secundario                            | Gear, 1st Secondary                            | 1        |
| 19 | 09024MT100 | Arandela 15,1x25,5x0,8                         | Washer 15,1x25,5x0,8                           | 1        |
| 20 | 52017      | Rodamiento eje secundario derecho (15x35x11)   | Bearing right secondary shaft (15x35x11)       | 1        |
| 21 | 52201      | Rodamiento Primario Izquierdo 7202-B-Tvp       | Bearing, Primary left 7202-B-TVP               | 1        |
| 22 | 09012MT100 | Piñón 2ª Primario                              | Gear, 2nd Primary                              | 1        |
| 23 | 52511      | Rodamiento Agujas Partido K14x18x10D           | Needle bearing, two-piece K14x18x10D           | 2        |
| 24 | 09013MT100 | Piñón 4ª Primario                              | Gear, 4th Primary                              | 1        |
| 25 | 09014MT100 | Arandela 20x16,65x1 Primario Dentada           | Toothed washer, 20x16,65x1 Primary             | 1        |
| 26 | 55008      | SW 16 Circlip 16X1.2                           | Circlip, SW 16 - 16x1.2                        | 2        |
| 27 | 09015MT100 | Piñón 3ª Primario                              | Gear, 3rd Primary                              | 1        |
| 28 | 09016MT100 | Arandela 22,5X16,65X0,5 Dentada                | Toothed washer, 22.5x16.65x0.5                 | 1        |



## Despiece TRRS Raga Racing 2023 Electric Start

09 - CM - Cambio / Gear Box

| Nº | Código            | Descripción                              | Description                                | Cantidad |
|----|-------------------|------------------------------------------|--------------------------------------------|----------|
| 29 | <b>09017MT100</b> | Piñón 5ª Primario                        | <i>Gear, 5th Primary</i>                   | 1        |
| 30 | <b>09018MT100</b> | Eje Primario                             | <i>Primary shaft</i>                       | 1        |
| 31 | <b>52301</b>      | Rodamiento Primario Derecho Nj203-E-Tvp2 | <i>Bearing, Primary right NJ203-E-TVP2</i> | 1        |
| 32 | <b>09025MT100</b> | Conjunto Piñones y Ejes Cambio           | <i>Kit, Gears and Shafts (Gearbox)</i>     | 1        |

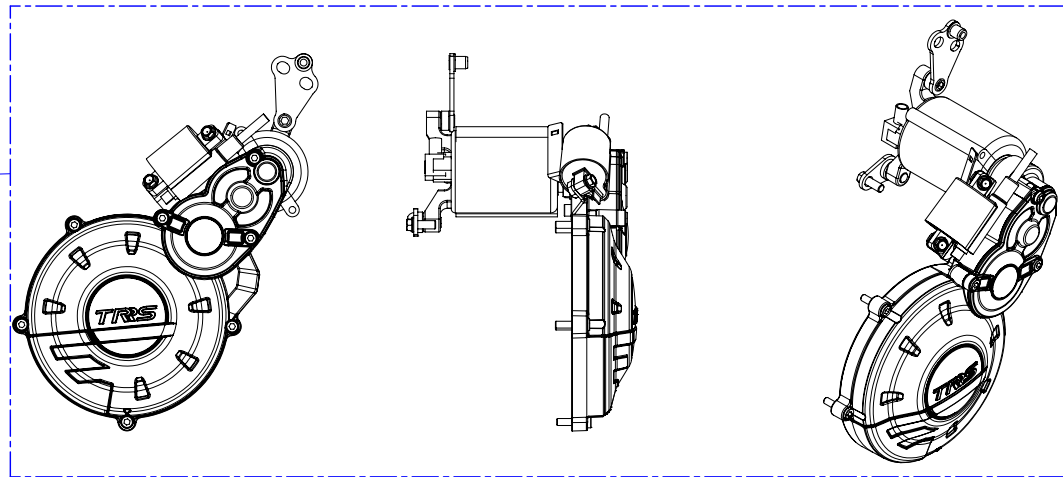


D

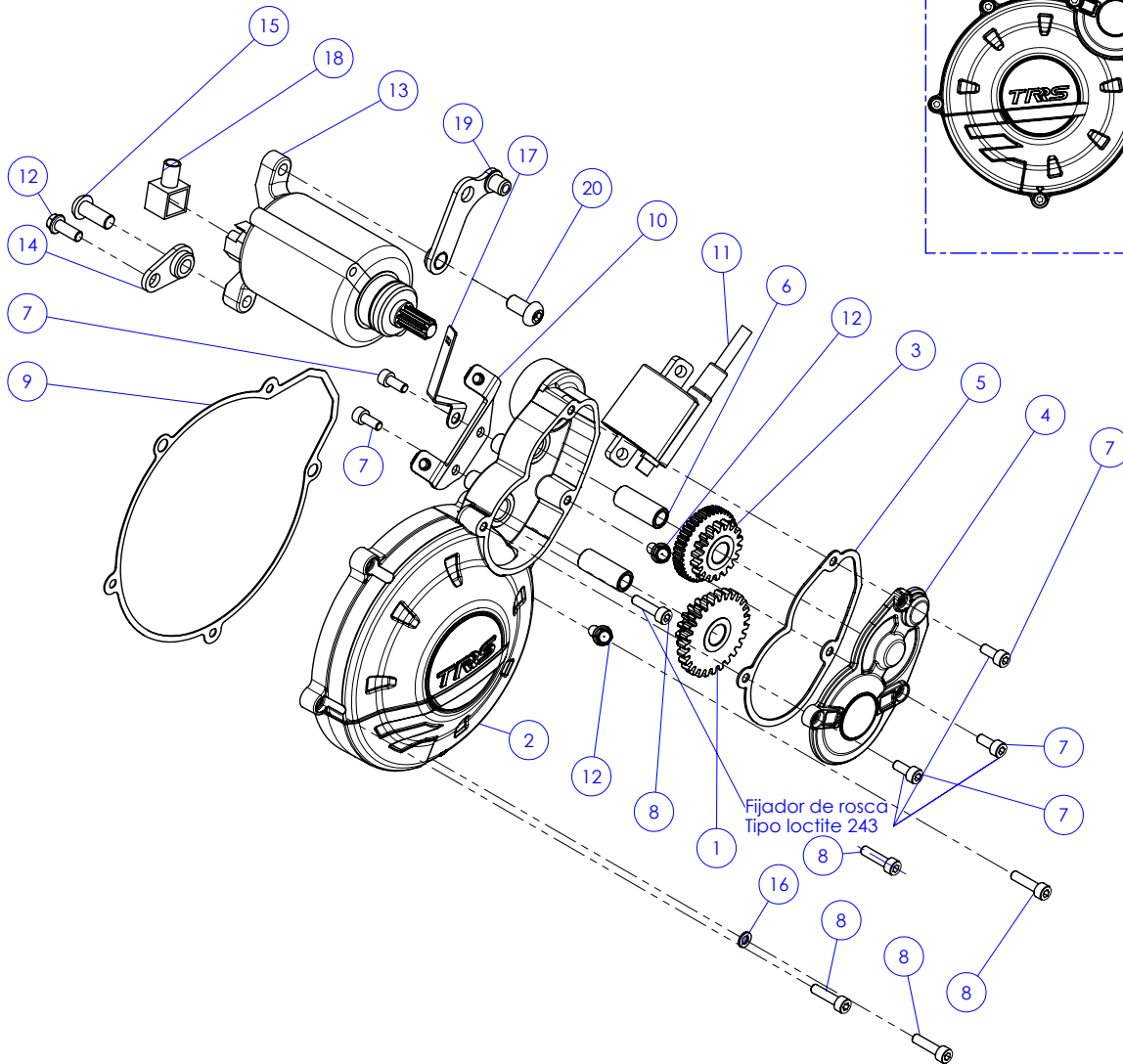
C

B

A



21



## Despiece TRRS Raga Racing 2023 Electric Start

10 - AE - Arranque Eléctrico / Electric Start (250-280-300cc)

| Nº | Código     | Descripción                                   | Description                               | Cantidad |
|----|------------|-----------------------------------------------|-------------------------------------------|----------|
| 1  | 10005MT100 | Piñones arranque electrico secundario         | Second gear set electric starter          | 1        |
| 2  | 10001MT100 | Tapa arranque eléctrico                       | Cover electric starter                    | 1        |
| 3  | 10004MT100 | Piñones arranque electrico primario           | First gear set electric starter           | 1        |
| 4  | 10002MT100 | Tapa registro arranque electrico              | Gear cover electric starter               | 1        |
| 5  | 10007MT100 | Junta tapa registro                           | Gasket gear cover electric starter        | 1        |
| 6  | 10008MT100 | Eje engranaje                                 | Shaft gear                                | 2        |
| 7  | 50124      | Tornillo allen M5x12                          | Screw allen M5x12                         | 5        |
| 8  | 50112      | Tornillo allen M5x20                          | Bolt allen M5x20                          | 5        |
| 9  | 08003MT100 | Junta tapa encendido                          | Gasket, Ignition cover                    | 1        |
| 10 | 10009MT100 | Soporte bobina arranque electrico             | Support ignition coil electric starter    | 1        |
| 11 | 70203      | Bobina                                        | Ignition coil                             | 1        |
| 12 | 50903      | Tornillo hexagonal con valona M6x16           | Bolt hexagonal with washer M6x16          | 3        |
| 13 | 70257      | Motor arranque electrico 12V                  | Starter motor 12V                         | 1        |
| 14 | 10011MT100 | Soporte inferior motor de arranque            | Lower bracket starter engine              | 1        |
| 15 | 50201      | Tornillo allen alomado M8x20                  | Bolt allen M8x20                          | 1        |
| 16 | 56103      | Arandela Cooper Tapa Bomba 5x9x1              | Copper washer, water-pump cover 5x9x1     | 1        |
| 17 | 01040TR100 | Soporte conector encendido arranque electrico | Ignition connector support electric start | 1        |
| 18 | 70252      | Capuchon cable bateria                        | Battery wire protector                    | 1        |
| 19 | 10015MT100 | Tirante motor de arranque                     | Bracket starter motor                     | 1        |
| 20 | 50216      | Tornillo allen alomado M8x16                  | Bolt allen M8x16                          | 1        |
| 21 | 10000MT103 | Conjunto arranque eléctrico II                | Electric starter set II                   | 1        |

