

Manual de Despiece

Exclusivo Competición

Parts Book

Exclusive Competition

TRRS RAGA RACING 


ELECTRIC START

250-280-300

2024



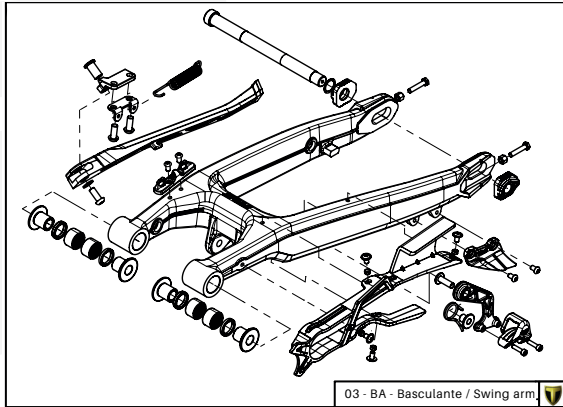
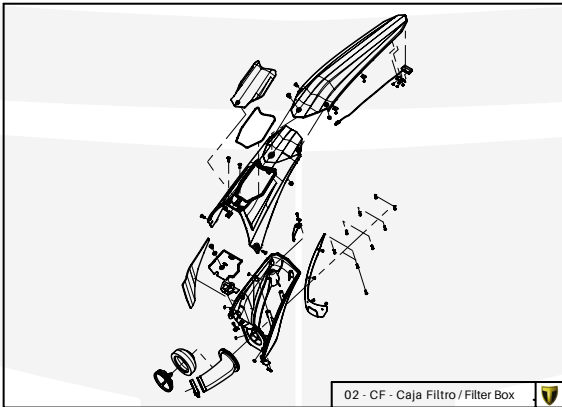
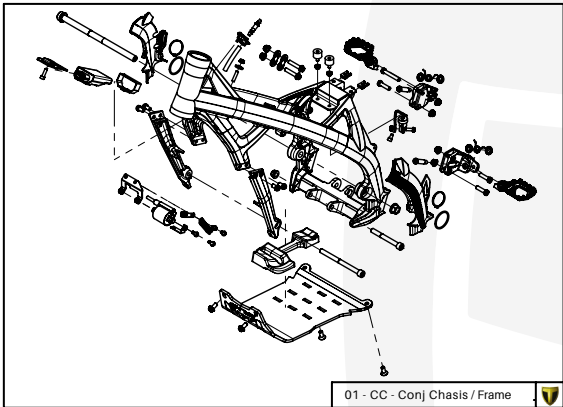
Imagen: Moto exclusivamente para competición y circuito cerrado.
Picture: Motorcycle only for competition and closed circuit.



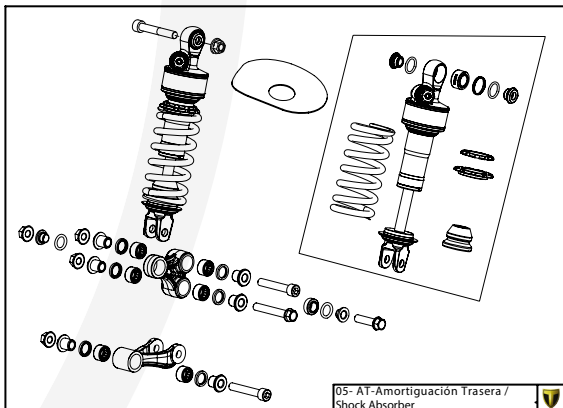
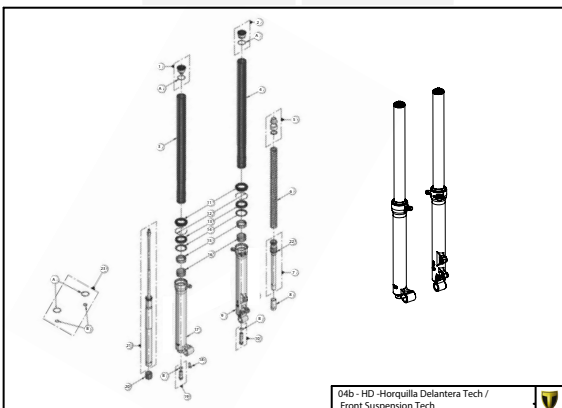
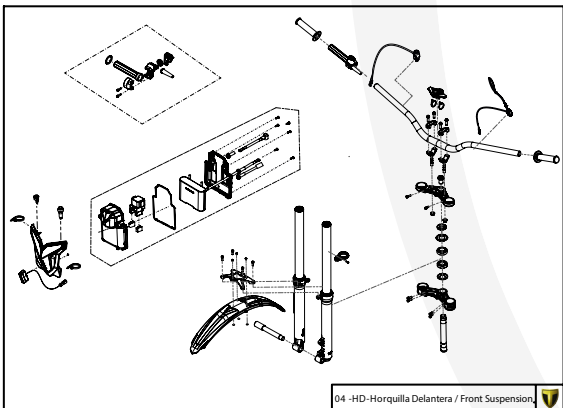
TRRS[®]
MOTORCYCLES

Despiece TRRS ONE RR 2024

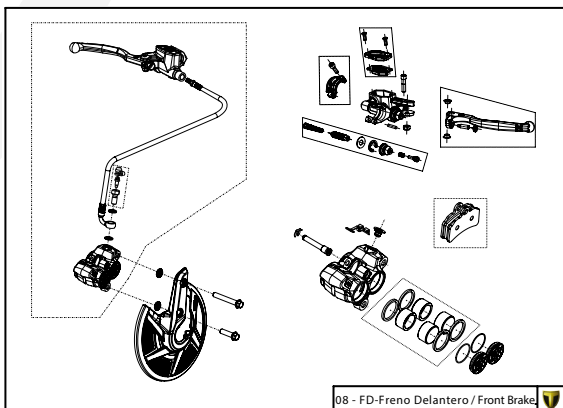
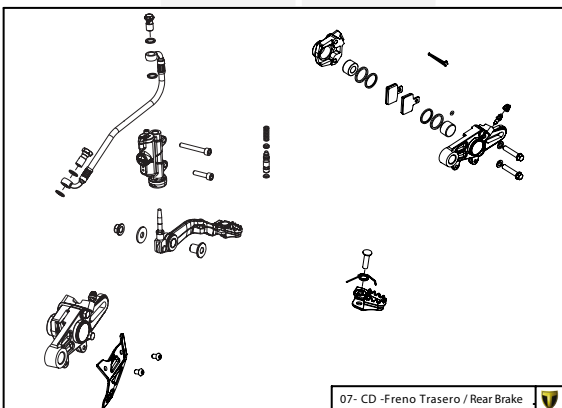
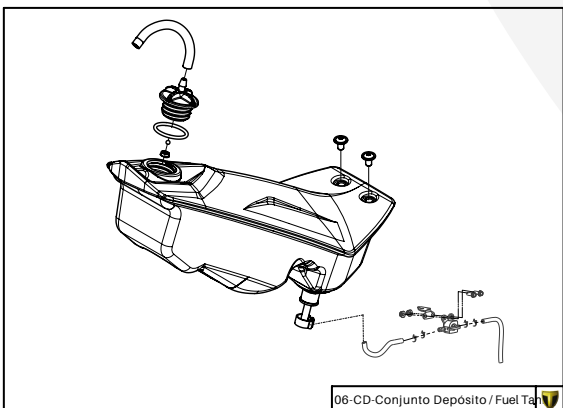
D



C



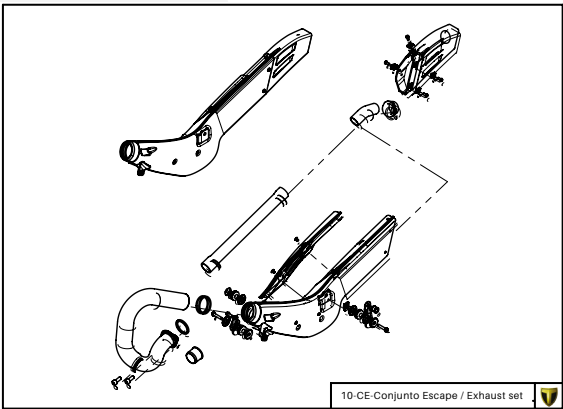
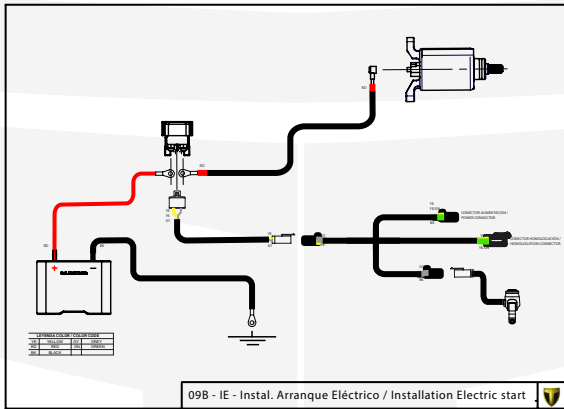
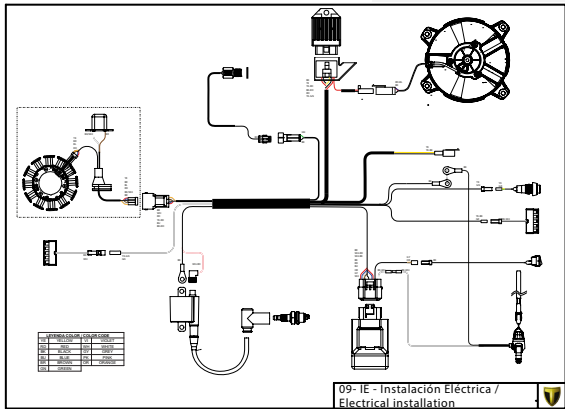
B



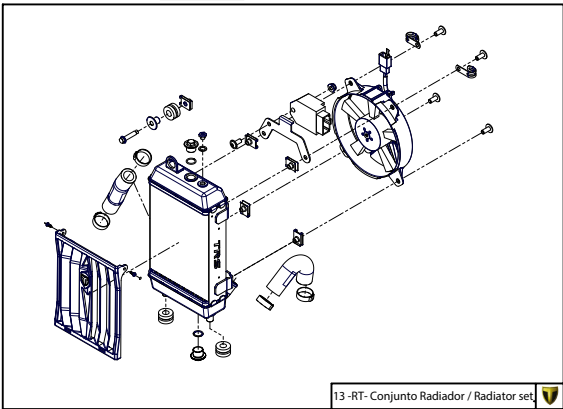
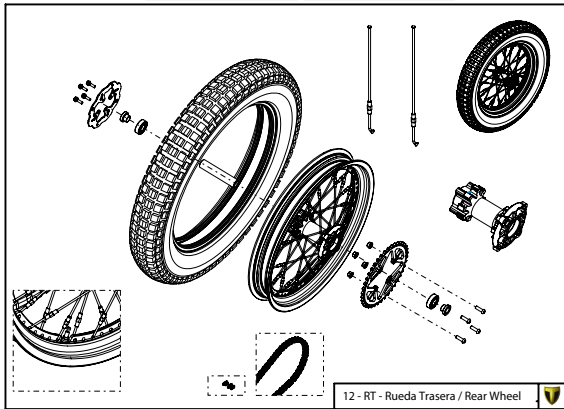
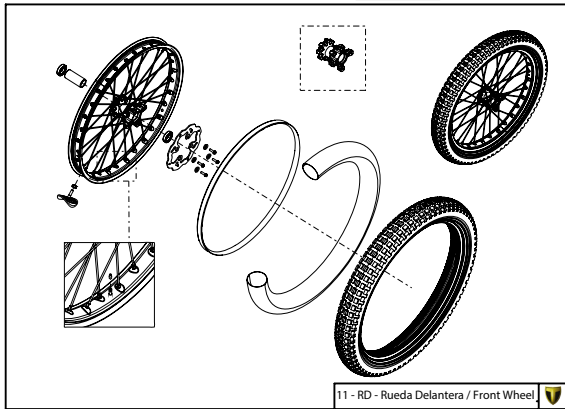
A

Despiece TRRS ONE RR 2024

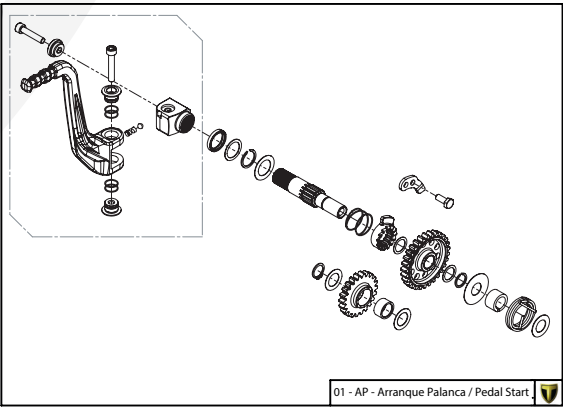
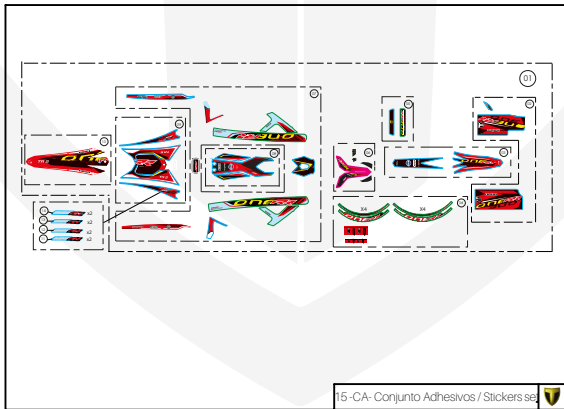
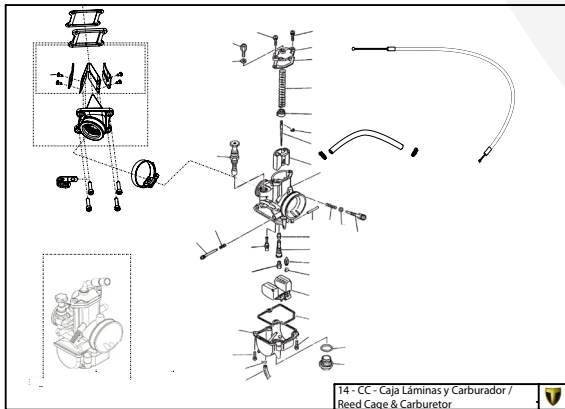
D



C



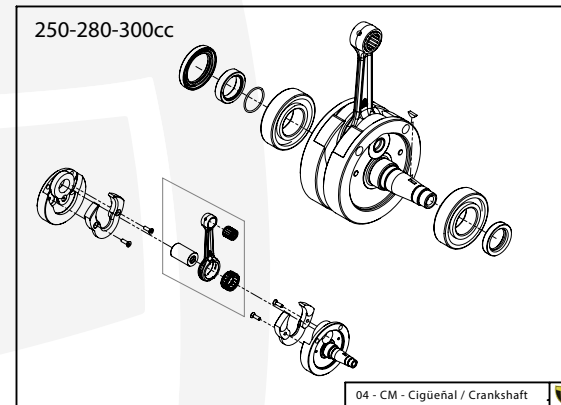
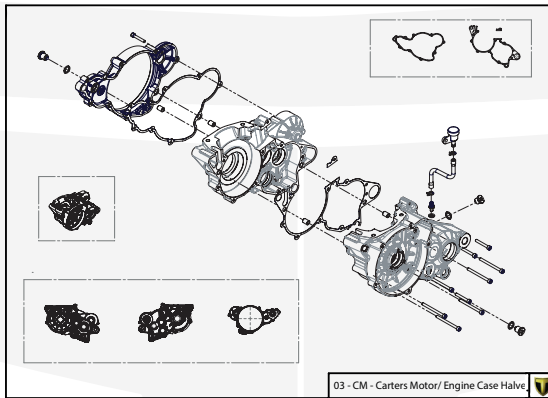
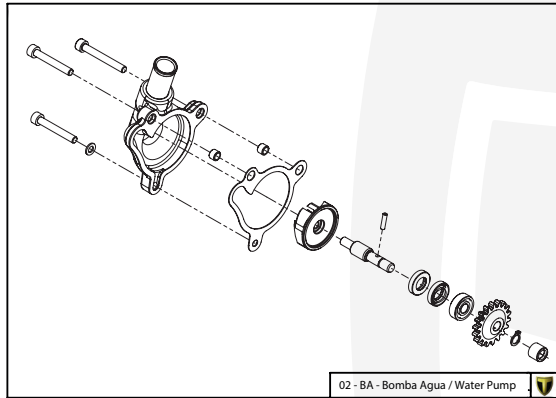
B



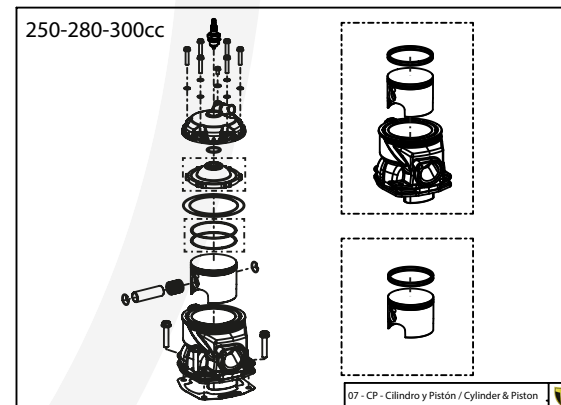
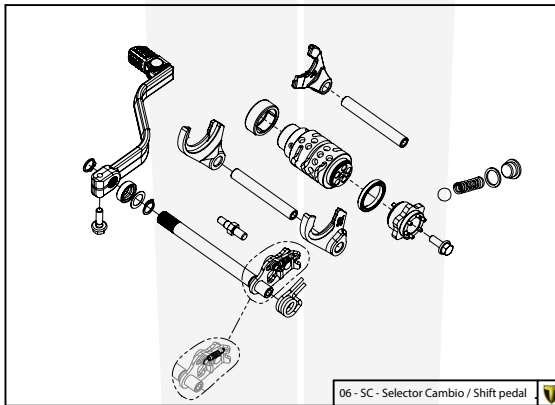
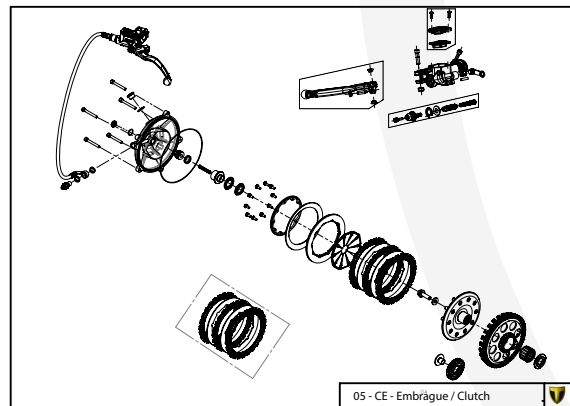
A

Despiece TRRS ONE RR 2024

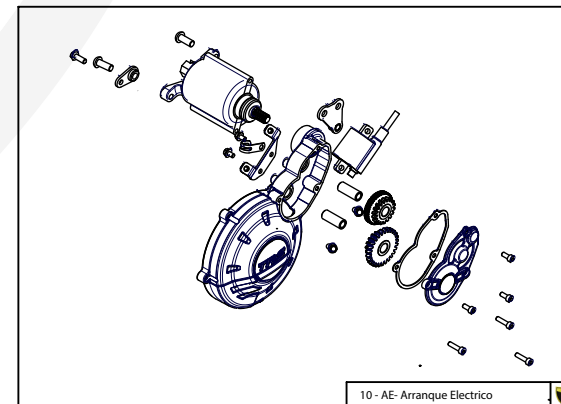
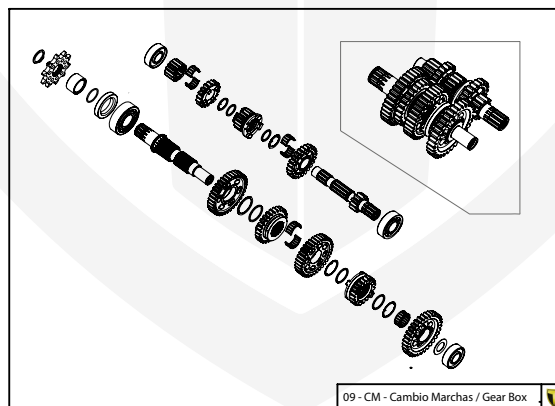
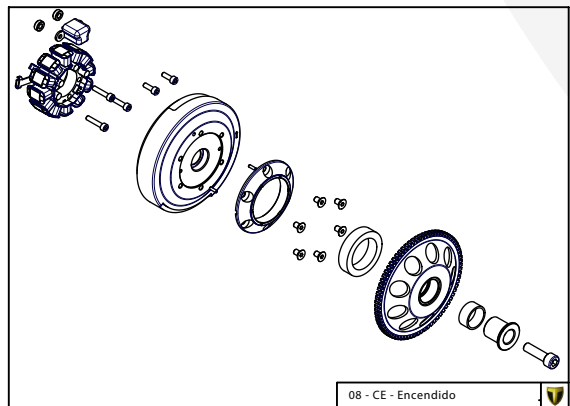
D



C



B



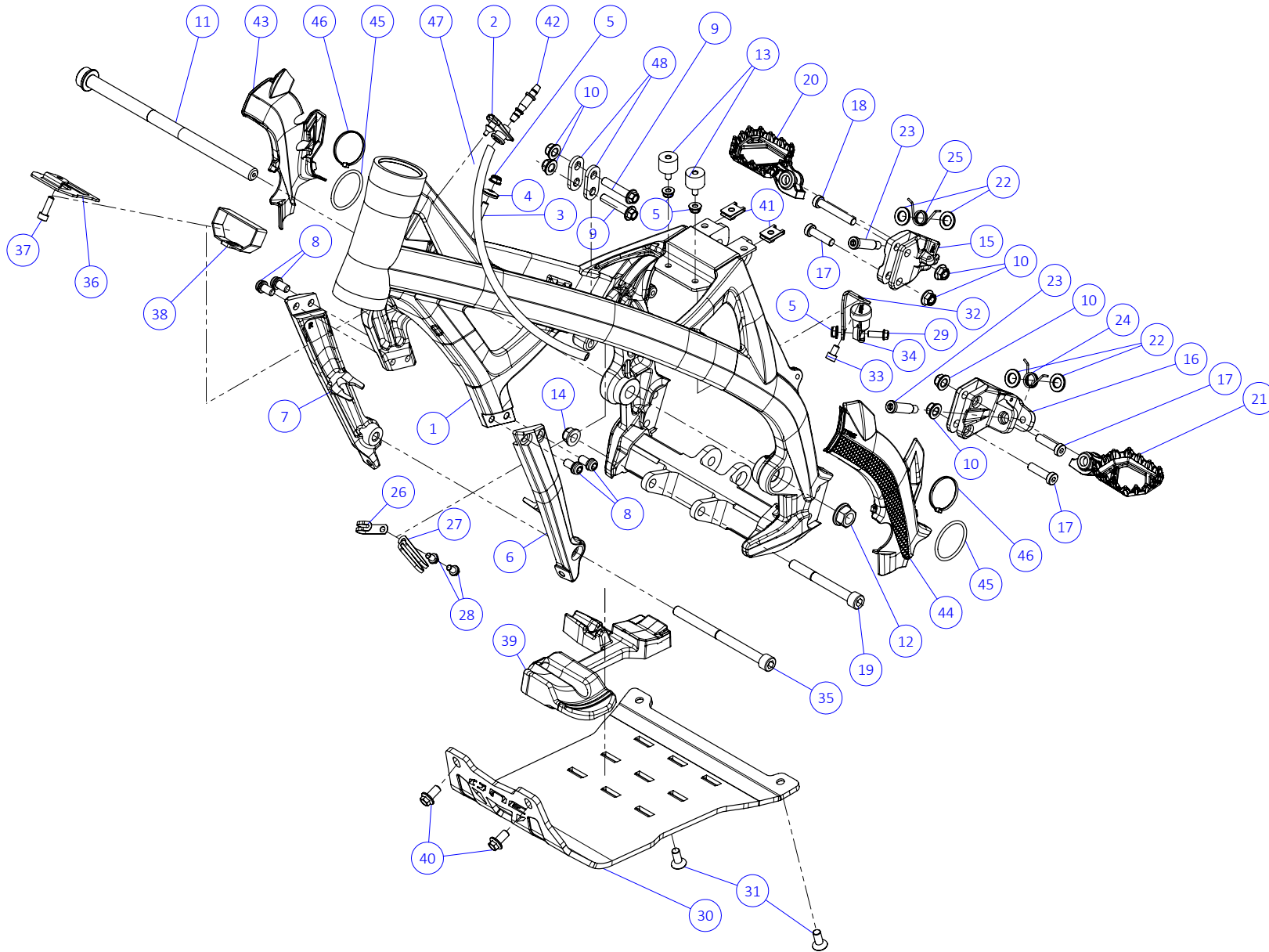
A

D

C

B

A



Despiece TRRS ONE RR 2024

01 - CH - Conjunto Chasis / Frame Set

| Nº | Código | Descripción | Description | Cantidad |
|----|--------------|--|---|----------|
| 1 | 01001TR101 | Chasis (Blanco) | Frame (White) | 1 |
| 2 | 01002TR100 | Pasamuro Tubo Desvaporizador | Vent hose connection plate | 1 |
| 3 | 01003TR100 | Esparrago Roscado M6 Depósito Gasolina | Fuel tank mounting stud, M6 | 1 |
| 4 | 56901 | Arandela Metal - Goma Depósito Gasolina | Washer, rubber-metal, fuel tank | 1 |
| 5 | 51501 | Tuerca autoblocante M6 | Locknut M6 | 4 |
| 6 | 01005TR105 | Brazo izquierdo chasis (Pintado rojo) | Front left subframe (Red painted) | 1 |
| 7 | 01004TR105 | Brazo derecho chasis (Pintado rojo) | Front right subframe (Red painted) | 1 |
| 8 | 50801 | Tornillo allen M8x14mm | Allen, 8x14mm | 4 |
| 9 | 50901 | Tornillo hexagonal con arandela M8x40 | Bolt M8x40 | 2 |
| 10 | 51502 | Tuerca autoblocante M8 | Nut. locking type, M8 engine | 6 |
| 11 | 01012TR100 | Eje Basculante | Swing arm axle | 1 |
| 12 | 01007TR100 | Tuerca eje basculante | Nut, swing-arm shaft | 1 |
| 13 | 63001 | Silentblock M6 20x15 | Silentblock M6 20x15 | 2 |
| 14 | 51503 | Tuerca autoblocante M10x1.25 | Locknut, M10x1.25 | 1 |
| 15 | 01010TR131 | Soporte estribera derecha (Mecanizada/Pintado negro) | Support footrest right (Cnc/Black painted) | 1 |
| 16 | 01011TR131 | Soporte estribera izquierda (Mecanizada/Pintado negro) | Support footrest left (Cnc/Black painted) | 1 |
| 17 | 50808 | Tornillo M8x30 allen | Bolt M8x30 allen | 3 |
| 18 | 50809 | Tornillo M8x50 allen | Bolt M8x50 allen | 1 |
| 19 | 50105 | Tornillo DIN 912 M10x90x1,25 - Inferior Motor | Bolt, DIN 912 M10x90x1.25 - engine lower | 1 |
| 20 | 01029TR100 | Estribera microfusión derecha | Microfusion footrest right side | 1 |
| 21 | 01028TR100 | Estribera microfusión izquierda | Microfusion footrest left side | 1 |
| 22 | 01034TR100 | Arandela estribo Ø10 | Washer Ø10 footrest | 4 |
| 23 | 01035TR100 | Tornillo estribera | Bolt footrest | 2 |
| 24 | 01037TR100-1 | Muelle estribera izquierda (pasador de Ø10) | Spring footpeg left (pin Ø10) | 1 |
| 25 | 01036TR100-1 | Muelle estribera derecha (pasador de Ø10) | Spring footpeg right (pin Ø10) | 1 |
| 26 | 58001 | Abrazadera para Cableado 60mm | Clamp for cables, 60mm | 1 |
| 27 | 58002 | Abrazadera para Cableado 100mm | Clamp for cables, 100mm | 1 |
| 28 | 50902 | Tornillo DIN 6921 M6x10 Soporte Bobina Chasis | Bolt, DIN 6921 M6x10, ignition coil mounting plate to chassis | 2 |



Despiece TRRS ONE RR 2024

01 - CH - Conjunto Chasis / Frame Set

| Nº | Código | Descripción | Description | Cantidad |
|----|------------|--|--|----------|
| 29 | 50903 | Tornillo hexagonal con valona M6x16 | Bolt hexagonal with washer M6x16 | 1 |
| 30 | 01038TR100 | Protector carter estriado ONE II | Skid plate ONE II | 1 |
| 31 | 50307 | Tornillo avellanado M8x20 | Screw countersunk head, M8x20 | 2 |
| 32 | 01013TR101 | Soporte deposito freno trasero | Support, rear brake fluid reservoir | 1 |
| 33 | 50101 | Tornillo DIN 912 M6x10 - Soporte Depósito Aceite Freno | Bolt, DIN 912 M6x10 - Support, brake fluid reservoir | 1 |
| 34 | 01018TR100 | Depósito desvaporizador | Reservoir, ventilator | 1 |
| 35 | 50102 | Tornillo allen M10x130 | Bolt allen, M10x130 | 1 |
| 36 | 01014TR100 | Soporte CDI | CDI support | 1 |
| 37 | 50104 | Tornillo DIN 912 M6x20 - Soporte Chapa CDI | Bolt, DIN 912 M6x20 - CDI mounting plate | 1 |
| 38 | 58012 | Velcro CDI | CDI hook and loop fastening strap | 1 |
| 39 | 01039TR100 | Goma protector cárter TRRS | Crankcase rubber protection TRRS | 1 |
| 40 | 50904 | Tornillo M8x16 (10.9) | Bolt, M8x16 (10.9) | 2 |
| 41 | 51301 | Tuerca rápida universal M6 | Speed-nut, universal M6 | 2 |
| 42 | 01023TR100 | Tubo desvaporizador pasamuro | Plug fuel tube pipe fuel vent | 1 |
| 43 | 01026TR100 | Protector chasis lateral derecho | Frame protection right side | 1 |
| 44 | 01027TR100 | Protector chasis lateral izquierdo | Frame protection left side | 1 |
| 45 | 53024 | Torica 40x3 (negro) | O-ring 40x3 (black) | 2 |
| 46 | 58006 | Brida Plástico 3,6x200 | Cable tie 3,6x200 | 2 |
| 47 | 62103 | Tubo goma desvaporizador pasamuros chasis | Rubber hose, frame fuel vent | 1 |
| 48 | 01006TR100 | Tirante motor | Engine support | 2 |

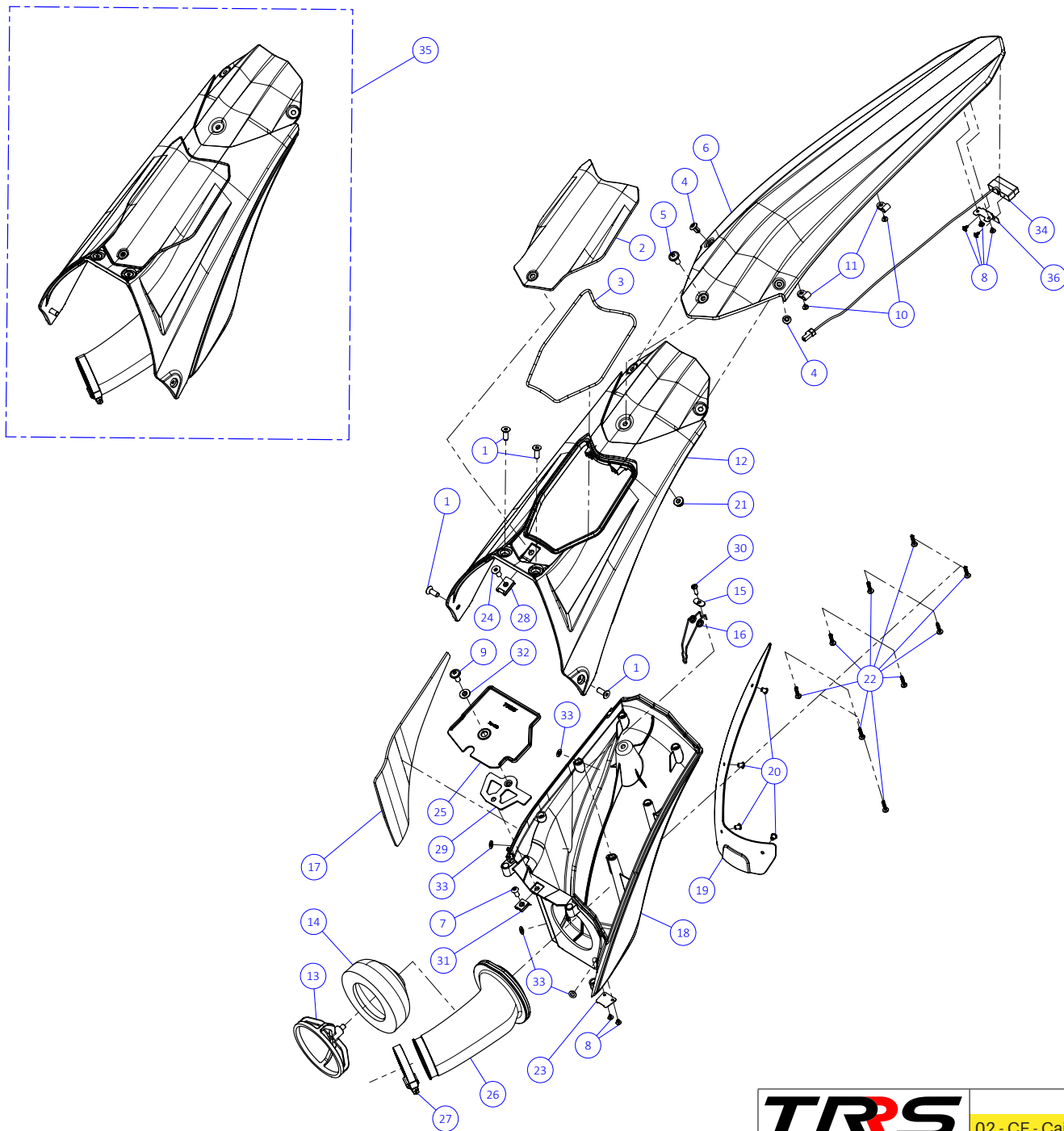


D

C

B

A



Despiece TRRS ONE RR 2024

02 - CF - Caja Filtro / Filter Box

| Nº | Código | Descripción | Description | Cantidad |
|----|------------|---|--|----------|
| 1 | 50306 | Tornillo avellanado M6x16 | Bolt countersunk M6x16 | 4 |
| 2 | 02001TR101 | Tapa caja filtro (Blanca) | Cover filter box (White) | 1 |
| 3 | 02002TR100 | Junta tapa filtro aire | Seal air filter cover | 1 |
| 4 | 65001 | Remache plástico 6x12 | Plastic rivot 6x12 | 2 |
| 5 | 50202 | Tornillo DIN 7380-fl M6x16 - Guardabarros trasero | Bolt, DIN 7380-fl M6x16 - Rear mudguard (fender) | 1 |
| 6 | 02003TR100 | Guardabarros trasero | Rear mudguard (fender) | 1 |
| 7 | 50210 | Tornillo alomado allen M5x12 | Bolt allen M5x12 | 1 |
| 8 | 50601 | Tornillo rosca chapa DIN 7981 2,9x6,5 | Screw, DIN 7981 2.9x6,5 | 6 |
| 9 | 50209 | Tornillo allen con valona M6x14 | Screw allen with washer M6x14 | 1 |
| 10 | 50703 | Tornillo DIN-968 ST2,9x6,5 | Screw DIN-968 ST2,9x6,5 | 2 |
| 11 | 58004 | Grapa plástico 4.8mm | Plastic clamp 4.8mm | 2 |
| 12 | 02024TR100 | Caja filtro aire superior | Air filter box, upper part | 1 |
| 13 | 02006TR100 | Jaula filtro aire | Cage aire filter | 1 |
| 14 | 02007TR100 | Espuma filtro aire con goma | Air filter element with groomet | 1 |
| 15 | 02008TR100 | Fijacion muelle filtro | Fixing filter spring | 1 |
| 16 | 02009TR100 | Muelle fijación espuma filtro | Spring, air filter retention | 1 |
| 17 | 02011TR100 | Protector anticalórico - Caja filtro | Heat shield - air filter box | 1 |
| 18 | 02025TR100 | Caja filtro aire inferior negra | Air filter box bottom part black | 1 |
| 19 | 02018TR100 | Protector caja filtro | Protector, air filter box | 1 |
| 20 | 65004 | Remache negro 4,8x12mm | Black Rivet, 4.8x12mm | 4 |
| 21 | 51501 | Tuerca autoblocante M6 | Locknut M6 | 1 |
| 22 | 50603 | Tornillo rosca 3,9x19 | Screw 3.9x19 | 9 |
| 23 | 02014TR100 | Lámina desagüe - Caja filtro | Drain flap, air filter box | 1 |
| 24 | 50302 | Tornillo avellanado M6x14 | Bolt countersunk M6x14 | 1 |
| 25 | 02026TR100 | Deflector caja filtro aire | Air box baffle | 1 |
| 26 | 02017TR100 | Tobera - Caja filtro | Intake hose, air filter box | 1 |
| 27 | 58003 | Abrazadera - Norma 40-60 | Clamp - Norma 40-60 | 1 |
| 28 | 51301 | Tuerca rápida universal M6 | Universal speed nut M6 | 1 |
| 29 | 02027TR100 | Soporte deflector caja filtro aire | Air box baffle plate | 2 |

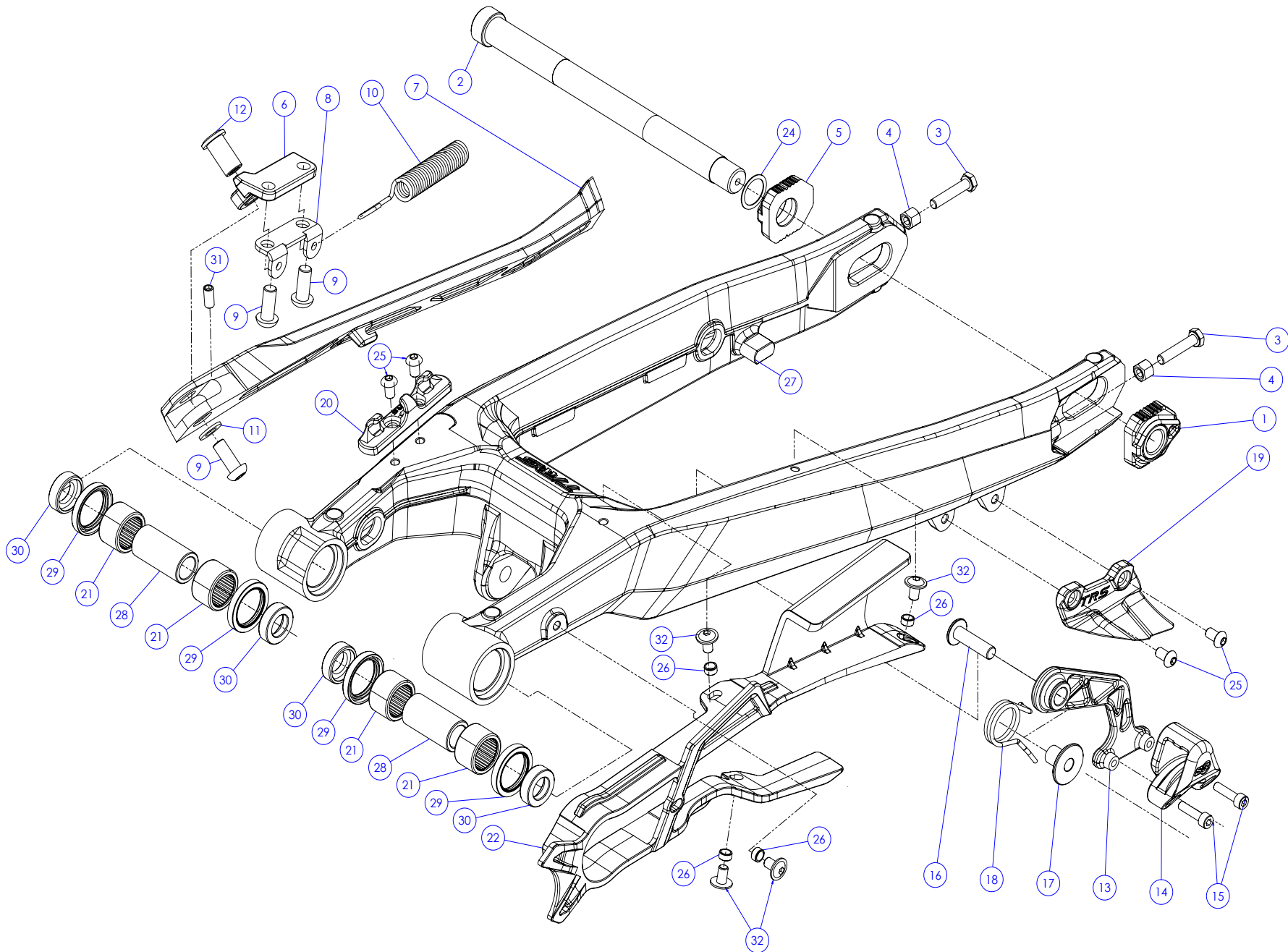


Despiece TRRS ONE RR 2024

02 - CF - Caja Filtro / Filter Box

| Nº | Código | Descripción | Description | Cantidad |
|----|-------------------|---|--|----------|
| 30 | 50607 | Tornillo rosca chapa DIN 7981 4,2x13 | <i>Screw, course thread DIN 7981 4,2x13</i> | 1 |
| 31 | 51302 | Tuerca rápida universal M5 | <i>Speed nut, universal M5</i> | 1 |
| 32 | 02031TR100 | Casquillo deflector caja filtro | <i>Bushing air box baffle</i> | 1 |
| 33 | 56301 | Arandela Ø5 | <i>Washer Ø5</i> | 4 |
| 34 | 70202 | Led Trasero - (véase (03) en la lámina 09-IE-Instalación Eléctrica) | <i>LED light TRS - see number 3, drawing 09 - Electrical</i> | 1 |
| 35 | 02000TR101 | Conjunto caja filtro aire (Tapa filtro blanca) | <i>Air filter box kit (cover filter withe)</i> | 1 |
| 36 | 02004TR100 | Soporte led trasero | <i>Support rear led</i> | 1 |





Despiece TRRS ONE RR 2024

03 - BA - Basculante / Swing Arm

| Nº | Código | Descripción | Description | Cantidad |
|----|------------|--|-------------------------------------|----------|
| 1 | 03010TR100 | Tensor eje rueda trasera roscado | Tensioner threaded, rear wheel axle | 1 |
| 2 | 03008TR100 | Eje rueda trasera | Axle, rear wheel | 1 |
| 3 | 50501 | Tornillo DIN 933 M6 - Tensor Eje Rueda | BOLT DIN 933 M6X30 10.9 | 2 |
| 4 | 51103 | Tuerca DIN 6330 M6 - Tensor Eje Rueda | HEX NUT DIN 6330 M6 10.9 | 2 |
| 5 | 03009TR100 | Tensor eje rueda | Tensioner, rear axle side | 1 |
| 6 | 03003TR100 | Soporte caballete | Side-stand support | 1 |
| 7 | 03006TR101 | Caballete II | Side stand II | 1 |
| 8 | 03005TR100 | Soporte muelle caballete | Side stand spring support | 1 |
| 9 | 50201 | Tornillo allen alomado M8x20 | Bolt allen M8x20 | 3 |
| 10 | 03007TR100 | Muelle caballete | Spring, side-stand | 1 |
| 11 | 56303 | Arandela M8 - Pasador Estribo | Washer, M8 | 1 |
| 12 | 03004TR100 | Bulon caballete | Pin side stand | 1 |
| 13 | 03020TR100 | Palanca remachada tensor cadena | Chain tensioner riveted | 1 |
| 14 | 70102 | Goma Tensor | Rubber block, chain tensioner | 1 |
| 15 | 50112 | Tornillo allen M5x20 | Bolt, allen M5x20 | 2 |
| 16 | 50217 | Tornillo allen con valona M8x30 | Screw allen with washer M8x30 | 1 |
| 17 | 03029TR100 | Casquillo tensor cadena II | Chain tensioner bushing II | 1 |
| 18 | 03030TR100 | Muelle tensor cadena II | Chain tension spring II | 1 |
| 19 | 03011TR101 | Protector corona | Sprocket protector | 1 |
| 20 | 03017TR100 | Guía latiguillo freno trasero | Guide, brake hose | 1 |
| 21 | 52501 | Rodamiento basculante 20x16 | Bearing, swing-arm 20x16 | 4 |
| 22 | 03015TR100 | Guía Cadena | Chain guide | 1 |
| 23 | 50203 | Tornillo allen con arandela M6x10 | Bolt allen with washer M6x10 | 4 |
| 24 | 03016TR100 | Arandela Eje Rueda Trasera 22x17x0,5 | Washer, 22x17x0,5 | 1 |
| 25 | 50204 | Tornillo allen cabeza redonda M6x10 | Bolt, allen round head M6x10 | 4 |
| 26 | 57007 | Casquillo Ø6x8x4 | Bushing Ø6x8x4 | 4 |
| 27 | 03028TR103 | Basculante II (Rojo) | Swing arm II (red painted) | 1 |
| 28 | 03025TR100 | Bulon basculante | Swing arm pin | 2 |
| 29 | 54012 | Reten basculante 24x32x5 KC | Seal swing arm 24x32x5 KC | 4 |
| 30 | 03027TR100 | Casquillo reten basculante | Bushing seal swing arm | 4 |



Despiece TRRS ONE RR 2024

| Nº | Código | Descripción | Description | Cantidad |
|----|--------|-----------------------------------|------------------------------|----------|
| 31 | 50C01 | Espárrago punta cónica M6x8 | Stud M6x8 | 1 |
| 32 | 50203 | Tornillo allen con arandela M6x10 | Bolt allen with washer M6x10 | 4 |

D

C

B

A

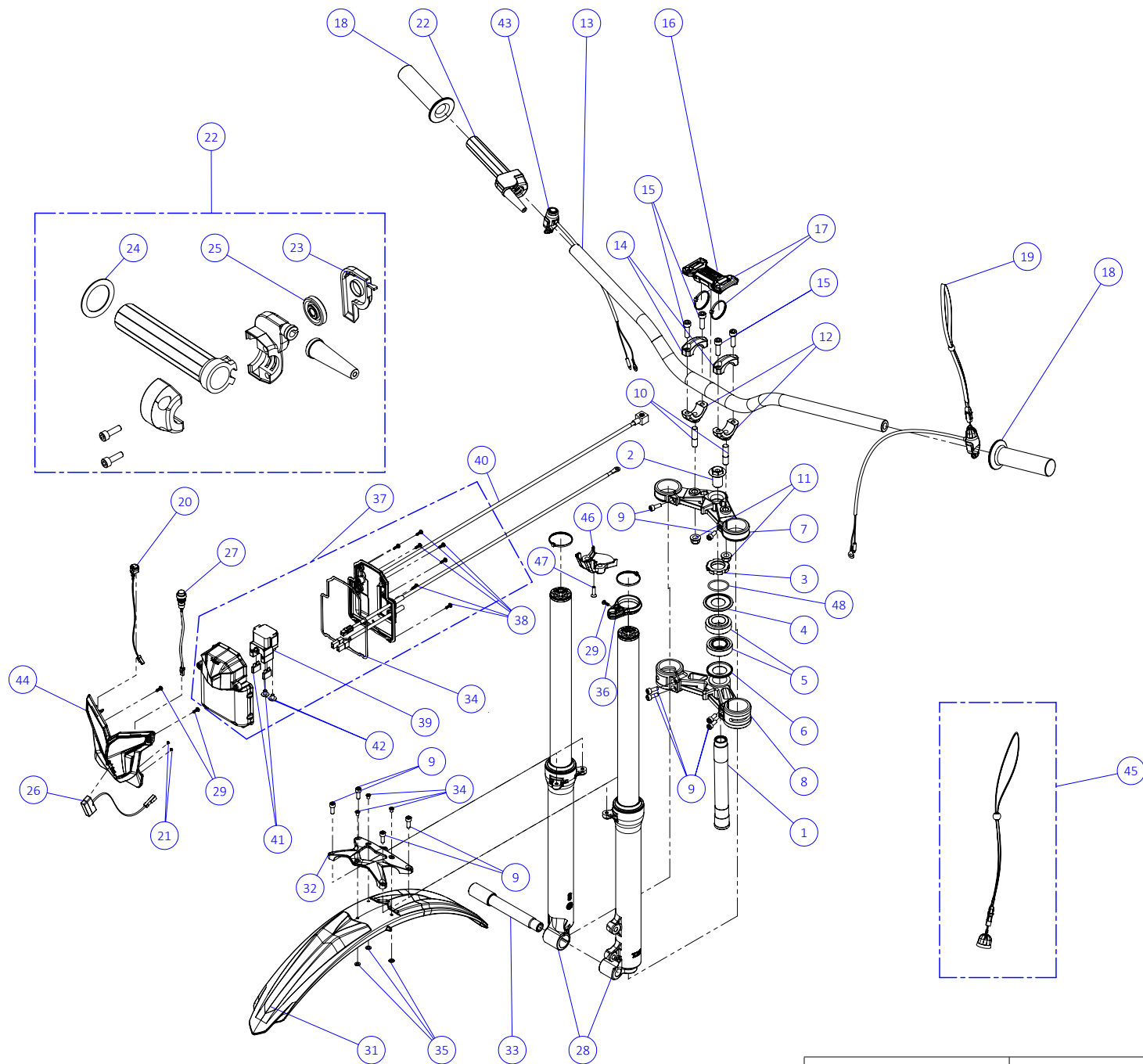


D

C

B

A



Despiece TRRS ONE RR 2024

04 - HD - Horquilla Delantera / Front Suspension

| Nº | Código | Descripción | Description | Cantidad |
|----|------------|---|---|----------|
| 1 | 04016TR100 | Eje pipa dirección | Steering stem (shaft) | 1 |
| 2 | 04010TR100 | Tornillo Eje Pipa Dirección | Bolt, steering stem (shaft) | 1 |
| 3 | 04036TR100 | Tuerca Pipa Dirección II | Nut, steering stem (shaft) II | 1 |
| 4 | 04013TR100 | Guardapolvos superior direccion | Dust cover, upper steering | 1 |
| 5 | 52401 | Rodamiento 25-47-15 | Bearing, 25-47-15 | 2 |
| 6 | 04014TR100 | Guardapolvos Inferior | Dust cover, lower | 1 |
| 7 | 04017TR102 | Pletina superior suspensión mecanizada anodizada negra brillante | Top triple clamp CNC black anodized shiny | 1 |
| 8 | 04018TR102 | Pletina inferior suspensión mecanizada anodizada negra brillante | Bottom triple clamp CNC black anodized shiny | 1 |
| 9 | 50805 | Tornillo DIN 912 M6x16 | Bolt, DIN 912 M6x16 | 11 |
| 10 | 04009TR100 | Eje Brida Manillar | Shaft, handlebar clamp | 2 |
| 11 | 51503 | Tuerca autoblocante M10x1.25 | Locknut, M10x1.25 | 2 |
| 12 | 04008TR101 | Brida inferior manillar (Anodizado negro) | Lower handlebar clamp (Black anodized) | 2 |
| 13 | 70135 | Manillar ONE RR | Handlebar ONE RR | 1 |
| 14 | 04007TR101 | Brida superior manillar (Anodizado negro) | Upper handlebar clamp (Black anodized) | 2 |
| 15 | 50806 | Tornillo allen M8x25 (10.9) | Bolt allen, M8x25 (10.9) | 4 |
| 16 | 04035TR100 | Protector manillar TRRS | Handlebar protector TRRS | 1 |
| 17 | 58006 | Brida Plástico 3,6x200 | Cable tie 3,6x200 | 2 |
| 18 | 70126 | Puño HEBO | Hand grip, HEBO | 2 |
| 19 | 70229 | Botón paro racing, Hombre al agua (NO)-(véase en lámina 09 / Chasis) | Kill button engine with magnetic lanyard (NO) (see sheet 04 / Frame) | 1 |
| 20 | 70208 | Interruptor Curva CDI - (véase (09) en la lámina 09-IE-Instalación Eléctrica) | Switch, CDI ignition curve - (see item 09 in drawing 09-IE electrical system) | 1 |
| 21 | 50604 | Tornillo Rosca Chapa DIN 7981 2x4 | Screw, course thread DIN 7981 2x4 | 2 |
| 22 | 70105 | Mando Gas | Throttle control | 1 |
| 23 | 70106 | Tapa Mando Gas | Cap, throttle cable wheel | 1 |
| 24 | 70108 | Arandela Mando Gas | Washer, throttle grip | 1 |
| 25 | 70107 | Rodillo Mando Gas | Cable wheel, throttle | 1 |
| 26 | 70209 | Led Delantero - (véase (10) en la lámina 09-IE-Instalación Eléctrica) | LED lights, TRS - (see item 10 in drawing 09-IE electrical system) | 1 |
| 27 | 70210 | Pulsador Led - (véase (11) en la lámina 09-IE-Instalación Eléctrica) | Switch, led lamps(see sheet 04 / Frame) | 1 |
| 28 | 04019TR100 | Conjunto Horquilla Delantera | Front suspension, complete | 1 |



Despiece TRRS ONE RR 2024

04 - HD - Horquilla Delantera / Front Suspension

| Nº | Código | Descripción | Description | Cantidad |
|----|------------|---|--|----------|
| 29 | 50608 | Tornillo rosca chapa 3,9x13 | Screw, selftapping 3.9x13 | 3 |
| 30 | 58006 | Brida Plástico 3,6x200 | Cable tie 3,6x200 | 2 |
| 31 | 04005TR100 | Guardabarros delantero | Front mudguard | 1 |
| 32 | 04004TR101 | Soporte guardabarros delantero anodizado negro | Front mudguard holder black anodized | 1 |
| 33 | 04003TR100 | Eje rueda delantera | Axle, front wheel | 1 |
| 34 | 65004 | Remache negro 4,8x12mm | Black Rivet, 4.8x12mm | 3 |
| 35 | 56301 | Arandela Ø5 | Washer Ø5 | 3 |
| 36 | 04002TR100 | Brida guía latiguillo freno delantero | Guide front brake hose | 1 |
| 37 | 04028TR100 | Conjunto bateria arranque eléctrico | Battery electric start set | 1 |
| 38 | 50608 | Tornillo rosca chapa 3,9x13 | Screw, selftapping 3.9x13 | 7 |
| 39 | 70245 | Relé arranque 12V | Starter relay 12V | 1 |
| 40 | 09010TR100 | Cable positivo relé/motor arranque trial | Starter relay/starter motor cable trial | 1 |
| 41 | 70246 | Fusible 30A | Fuse 30A | 2 |
| 42 | 50215 | Tornillo allen cabeza redonda M6x8 | Bolt, allen round head M6x8 | 2 |
| 43 | 09007TR100 | Pulsador de arranque con instalacion | Starter button with hardness | 1 |
| 44 | 04023TR101 | Careta luz arranque eléctrico roja | Head light mask electric start red | 1 |
| 45 | 70249 | Iman con correa para el hombre al agua (solo recambios) | Magnetic Lanyard for kill buton (only spare parts) | 1 |
| 46 | 04033TR100 | Guia cables bateria arranque eléctrico | Guide wiring battery electric start | 1 |
| 47 | 50310 | Tornillo M5x20 avellanado | Bolt M5x20 countersunk | 1 |
| 48 | 53016 | Torica 25x1,5 | O-ring 25x1,5 | 1 |

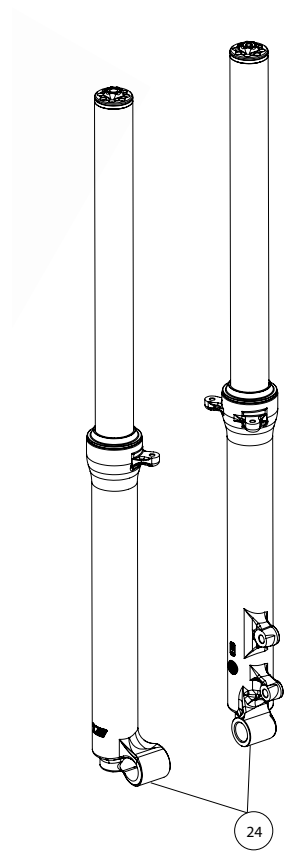
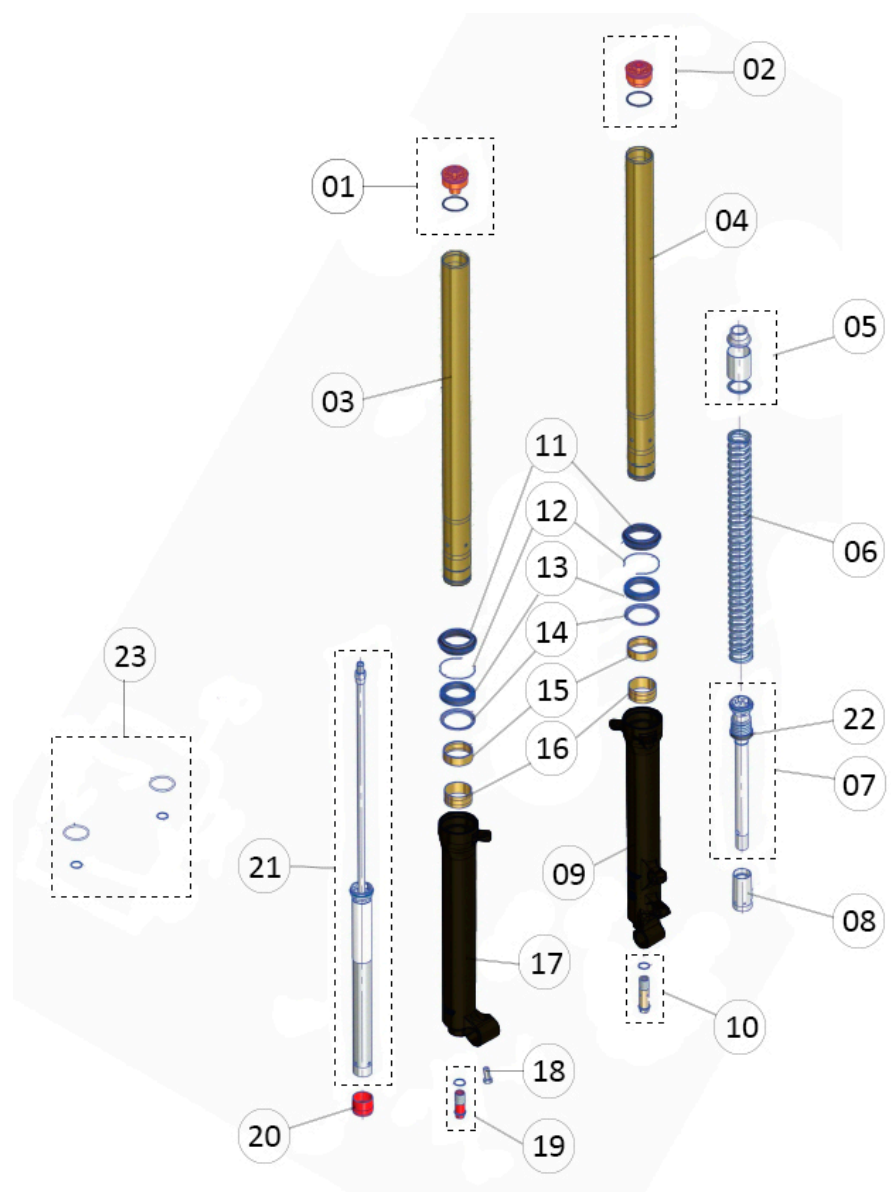


D

C

B

A



Despiece TRRS ONE RR 2024

04b - HD - Horquilla Delantera Tech / Front Suspension Tech

| Nº | Código | Descripción | Description | Cantidad |
|----|------------|---|-----------------------------------|----------|
| 1 | 71001 | Cjto. tapon regulacion extension | Screw cap rebound set | 1 |
| 2 | 71002 | Cjto. tapon regulacion precarga muelle | Screw cap preload spring set | 1 |
| 3 | 71024 | Barra Suspension Derecha-Group Stanchion Tube Replay Right | Stanchion Tube, Right side | 1 |
| 4 | 71025 | Barra Suspension Izquierda-Group Stanchion Tube Replay Left | Stanchion Tube, Left side | 1 |
| 5 | 71005 | Cto. Distanciadores Muelle-Group Spacers Spring | Group, Spring spacers | 1 |
| 6 | 71026 | Muelle Horquilla-Fork Spring (Progr. 3) | Fork Spring | 1 |
| 7 | 71007 | Cto.Mecanico Bombeo-Group Mechanical Pumping | Group, dampening cartridge | 1 |
| 8 | 71008 | Cono Limitador Izquierdo-Cone Limit Left | Alignment cone, Left | 1 |
| 9 | 71027 | Botella Suspension Izquierda-Left Leg | Lower Leg, left | 1 |
| 10 | 71010 | Cto.Tornillo Regulacion-Needle Regulation Group | Needle and Regulation Group | 1 |
| 11 | 71011 | Guardapolvo horquilla | Dust seal | 1 |
| 12 | 71012 | Circlip Tope Reten-Ring Stopper Oil Seal | Oil Seal retention clip | 2 |
| 13 | 71013 | Reten Horquilla-Oil Seal | Oil Seal | 2 |
| 14 | 71014 | Anillo Tope Glacier-Ring Stop Bushing Oil Seal | Bushing stop ring | 2 |
| 15 | 71015 | Glacier Barra Horquilla-Bush Du Ø39XØ43X15 | Bushing Du Ø39XØ43X15 | 2 |
| 16 | 71016 | Glacier Botella Horquilla-Bush Du Ø38XØ40X20 | Bushing Du Ø38XØ40X20 | 2 |
| 17 | 71028 | Botella Suspension Derecha-Right Leg (negro) | Lower leg, Right (black) | 1 |
| 18 | 71018 | Tornillo Allen-Screw Tceib M8X18 Din 7984 | Bolt, Allen M8X18 Din 7984 | 1 |
| 19 | 71019 | Cto. Tornillo Regulacion- Group Lock Screw Hydraulic Pump | Group, Hydraulic dampener end cap | 1 |
| 20 | 71020 | Cono Limitador Derecho-Cone Limit Right | Alignment cone, | 1 |
| 21 | 71029 | Cartucho Hidraulico-Group Cartridge | Group, Cartridge | 1 |
| 22 | 71022 | Anillo Tope Muelle-Support Ring For Spring Limit | Guide Ring, Limit spring | 1 |
| 23 | 71023 | Kit Toricas-Group Rings Seal | O-ring kit | 1 |
| 24 | 04019TR100 | Conjunto horquilla delantera | Front suspension, complete | 1 |

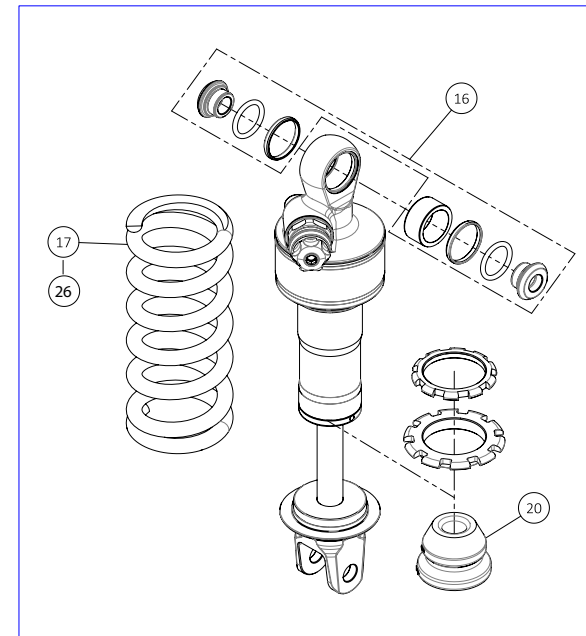
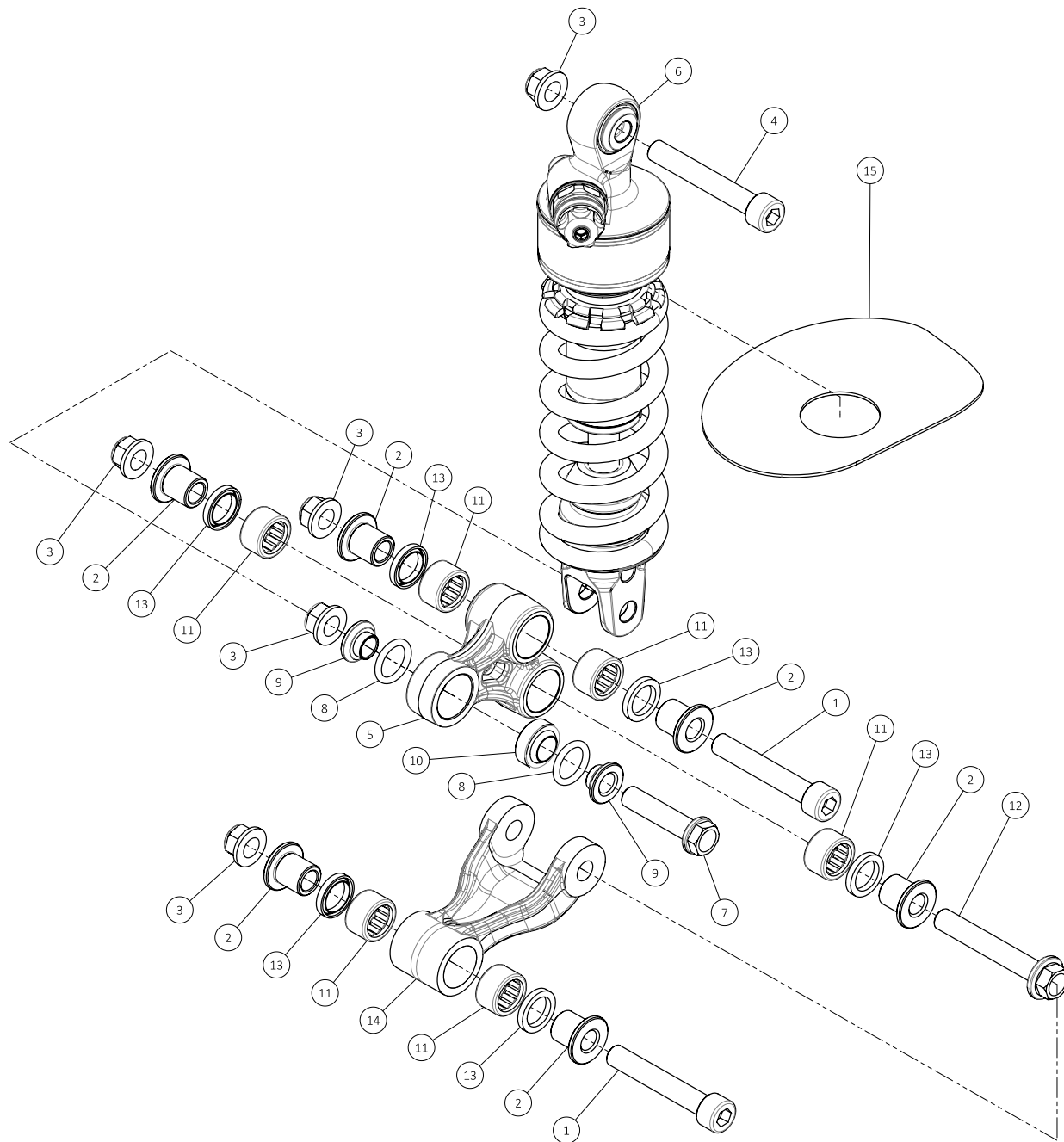


D

C

B

A



Despiece TRRS ONE RR 2024

05 - AT - Amortiguación Trasera / Shock absorber

| Nº | Código | Descripción | Description | Cantidad |
|----|------------|--|---|----------|
| 1 | 50108 | Tornillo M10x60 - 1,25 (10.9) | Bolt, M10x60 - 1.25 (10.9) | 2 |
| 2 | 05002TR100 | Casquillo trapecio | Bushing, linkage | 6 |
| 3 | 51503 | Tuerca autoblocante M10x1.25 | Nut, self locking M10x1.25 | 5 |
| 4 | 50109 | Tornillo M10x65x1,25 (10.9) | Bolt M10x65x1,25 (10.9) | 1 |
| 5 | 05003TR100 | Trapecio | Rocker link | 1 |
| 6 | 05007TR100 | Amortiguador Reiger 2 vias | Shock absorber Reiger 2 way | 1 |
| 7 | 50905 | Tornillo DIN 6921 M10x43 - 1,25 | Bolt, DIN 6921 M10x43 - 1.25 | 1 |
| 8 | 53002 | Tórica Trapecio - Amortiguador | O-ring, linkage - Shock absorber | 2 |
| 9 | 70501 | Casquillo Distanciador Trapecio - Amortiguador | Spacer bushing, linkage - Shock absorber | 2 |
| 10 | 66001 | Rótula Trapecio 12x22x12 | Heim joint (rotary ball) 12x22x12 lower - shock absorber | 1 |
| 11 | 52502 | Rodamiento agujas HN 1512 BGR | Needle bearing, HN1512 BGR | 6 |
| 12 | 50906 | Tornillo DIN 6921 M10x65 - 1.25 | Bolt, DIN 6921 M10x65 - 1.25 | 1 |
| 13 | 54002 | Retén 15x21x3 | Seal, 15x21x3 | 6 |
| 14 | 05004TR101 | Bieleta reforzada | Connecting link reinforced | 1 |
| 15 | 05005TR100 | Goma Amortiguador - Caja Filtro | Rubber shock absorber sealing flap - air filter box | 1 |
| 16 | 70514 | Kit Rótula 10x25, Tóricas y Distanciadores | Heim Joint 10x25 (rotary ball), O-ring and Spacers Kit | 1 |
| 17 | 70511 | Muelle Amortiguador Reiger (1&2vias) 70 Kg (sólo recambios) | Spring, shock absorber (1&2ways) 70 Kg (only spare parts) | 1 |
| 18 | 70512 | Muelle Amortiguador Reiger (1&2vias) 67.5 Kg (estándar) | Spring, shock absorber (1&2ways) 67.5 Kg (standard) | 1 |
| 19 | 70513 | Muelle Amortiguador Reiger (1&2vias) 72,5 Kg (sólo recambios) | Spring, shock absorber (1&2ways) 72.5 Kg (only spare parts) | 1 |
| 20 | 70515 | Tope Silentblock - Amortiguador Reiger | Bump-stop, Reiger shock absorber | 1 |
| 21 | 70518 | Muelle Reiger (1 & 2 vias) 80 N/mm (Solo recambios) | Reiger Spring, shock absorber 80 N/mm (1 & 2 ways)(only spare parts) | 1 |
| 22 | 70528 | Muelle amortiguador Reiger (1&2vias) 60N/mm (< 50Kg) (sólo recambios) | Spring shock absorber (1&2ways) 60N/mm (< 50Kg) (only spareparts) | 1 |
| 23 | 70529 | Muelle amortiguador Reiger (1&2vias) 62.5N/mm (50-60Kg) (sólo recambios) | Spring shock absorber (1&2ways) 62.5N/mm (50-60Kg) (only spare-parts) | 1 |
| 24 | 70530 | Muelle amortiguador Reiger (1&2vias) 65N/mm (60-65Kg) (sólo recambios) | Spring shock absorber (1&2ways) 65N/mm (60-65Kg) (only spare-parts) | 1 |
| 25 | 70531 | Muelle amortiguador Reiger (1&2vias) 75N/mm (85-95Kg) (sólo recambios) | Spring shock absorber (1&2ways) 75N/mm (85-95Kg) (only spare-parts) | 1 |
| 26 | 70532 | Muelle amortiguador Reiger (1&2vias) 85N/mm (>100Kg) (sólo recambios) | Spring shock absorber (1&2ways) 85N/mm (>100Kg) (only spare-parts) | 1 |

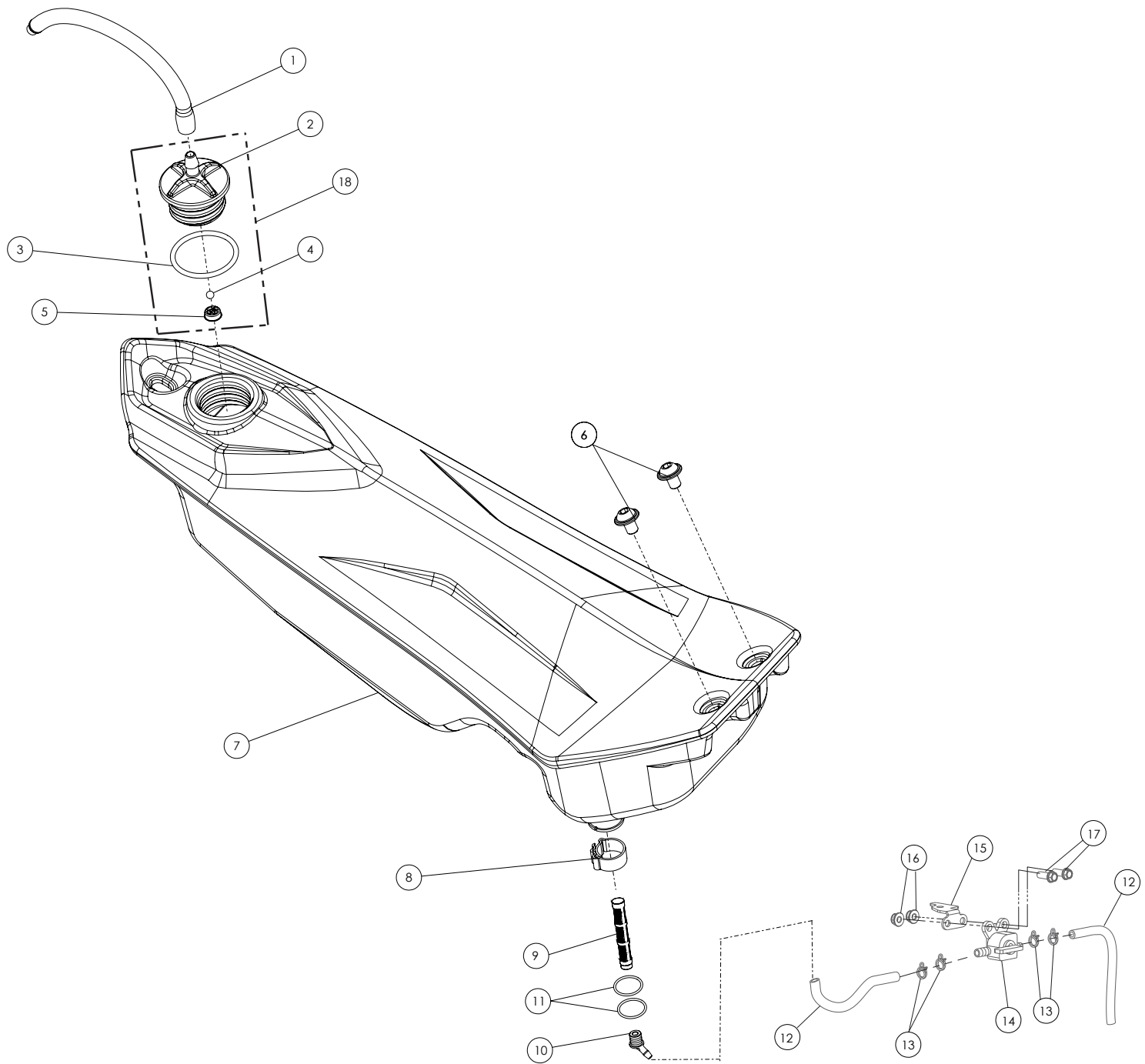


D

C

B

A



Despiece TRRS ONE RR 2024

06 - CD - Conjunto Depósito / Fuel Tank

| Nº | Código | Descripción | Description | Cantidad |
|----|------------|---|-----------------------------------|----------|
| 1 | 62001 | Tubo Desvaporizador Tapón Gasolina | Fuel cap vent hose | 1 |
| 2 | 06001TR100 | Tapón Depósito | Fuel cap | 1 |
| 3 | 53001 | Tórica Tapón Depósito 29.82x2.62 | O-ring, fuel cap 29.82x2.62 | 1 |
| 4 | 60001 | Bola Válvula Tapón | Check-ball, cap vent | 1 |
| 5 | 06002TR100 | Cierre Válvula Tapón Depósito | Cap, check-ball fuel tank valve | 1 |
| 6 | 50203 | Tornillo DIN 7380-FL M6x10 - Depósito | Bolt, DIN 7380-FL Fuel tank M6x10 | 2 |
| 7 | 06003TR101 | Depósito Gasolina | Fuel tank | 1 |
| 8 | 58007 | Abrazadera Cobra 17 | Clamp, Cobra 17 | 1 |
| 9 | 70128 | Filtro gasolina roscado | Fuel filter threaded | 1 |
| 10 | 06004TR100 | Salida deposito gasolina | Output fuel tank | 1 |
| 11 | 53026 | Torica 9,5x2 | O-ring 9,5x2 | 2 |
| 12 | 62102 | Tubo goma grifo gasolina | Fuel tap hose | 2 |
| 13 | 58021 | Abrazadera alambre | Wire clamp | 4 |
| 14 | 70127 | Grifo gasolina en linea (leva metalica) | In line fueltap (metal lever) | 1 |
| 15 | 17016TR100 | Soporte grifo gasolina | Fuel tap support | 1 |
| 16 | 51501 | Tuerca Autoblocante M6 | Locknut M6 | 2 |
| 17 | 50903 | Tornillo DIN 691 M6x16 | Bolt, DIN 6921 M6x16 | 2 |
| 18 | 06005TR100 | Tapon deposito gasolina completo | Fuel tank cap set | 1 |

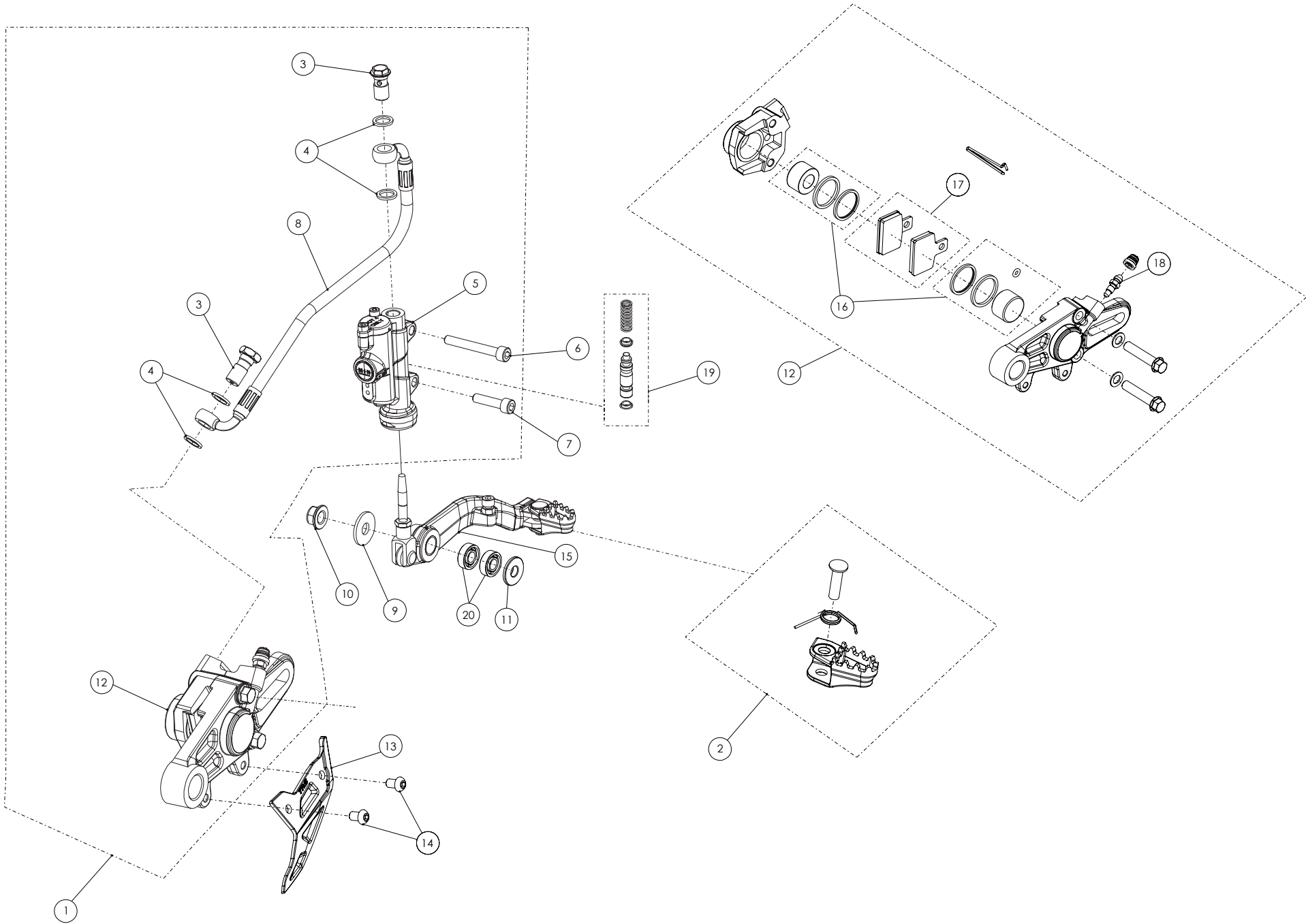


D

C

B

A



Despiece TRRS ONE RR 2024

07 - FT - Freno Trasero / Rear Brake

| Nº | Código | Descripción | Description | Cantidad |
|----|-------------------|--|---|----------|
| 1 | 70320 | Conjunto freno trasero | <i>Kit, rear brake</i> | 1 |
| 2 | 70312 | Kit reparación palanca freno | <i>Brake lever repair kit</i> | 1 |
| 3 | 70304 | Racord | <i>Banjo bolt</i> | 2 |
| 4 | 56101 | Arandela Al. 10x14x1,5 | <i>Washer, Al. 10x14x1.5</i> | 4 |
| 5 | 70318 | Bomba Freno Trasero | <i>Pump, rear brake</i> | 1 |
| 6 | 50103 | Tornillo DIN 912 M6x45 - Bomba Freno - Escape | <i>Bolt, DIN 912 M6x45 - Brake pump - exhaust</i> | 1 |
| 7 | 50110 | Tornillo DIN 912 M6x25 - Bomba Freno Inferior | <i>Bolt, DIN 912 M6x25 - Brake pump - lower</i> | 1 |
| 8 | 70306 | Latiguillo Freno Trasero | <i>Hose, rear brake</i> | 1 |
| 9 | 56303 | Arandela M8 | <i>Washer M8</i> | 1 |
| 10 | 51502 | Tuerca Autoblocante M8 - Pedal Freno | <i>Nut, self locking M8 - Brake pedal</i> | 1 |
| 11 | 07014TR100 | Casquillo palanca freno II | <i>Bushing brake pedal II</i> | 1 |
| 12 | 70307 | Conjunto Pinza Freno Trasero | <i>Rear brake caliper, complete</i> | 1 |
| 13 | 07002TR101 | Protector disco trasero | <i>Disc protector, rear</i> | 1 |
| 14 | 50204 | Tornillo DIN 7380 M6X10 - Protector Disco Trasero | <i>Bolt, DIN 7380 M6x10 - Rear disc protector</i> | 2 |
| 15 | 07015TR100 | Conjunto palanca freno II | <i>Brake pedal II, complete</i> | 1 |
| 16 | 70309 | Kit Reparación Pinza Trasera | <i>Repair kit, rear caliper</i> | 1 |
| 17 | 70310 | Juego Pastillas Freno Trasero | <i>Brake pad set, rear</i> | 1 |
| 18 | 70374 | Sangrador freno trasero | <i>Bleeder screw rear brake</i> | 1 |
| 19 | 70321 | Kit rep. pistón bomba freno trasero (bomba deposito integrado) | <i>Repair kit, rear brake pump (master cylinder /integrated tank)</i> | 1 |
| 20 | 52112 | Rodamiento palanca freno trasero | <i>Foot brake lever bearing</i> | 2 |

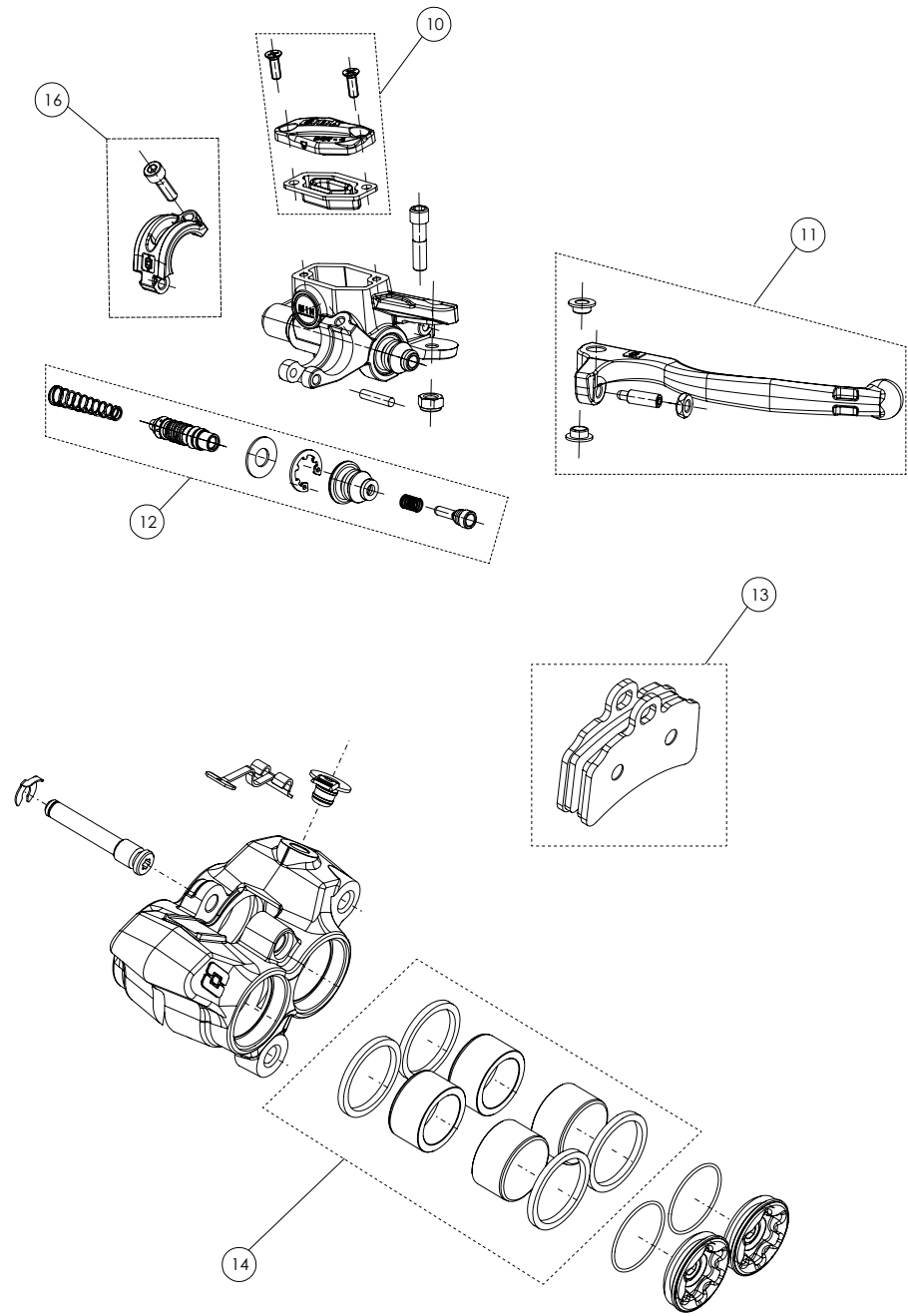
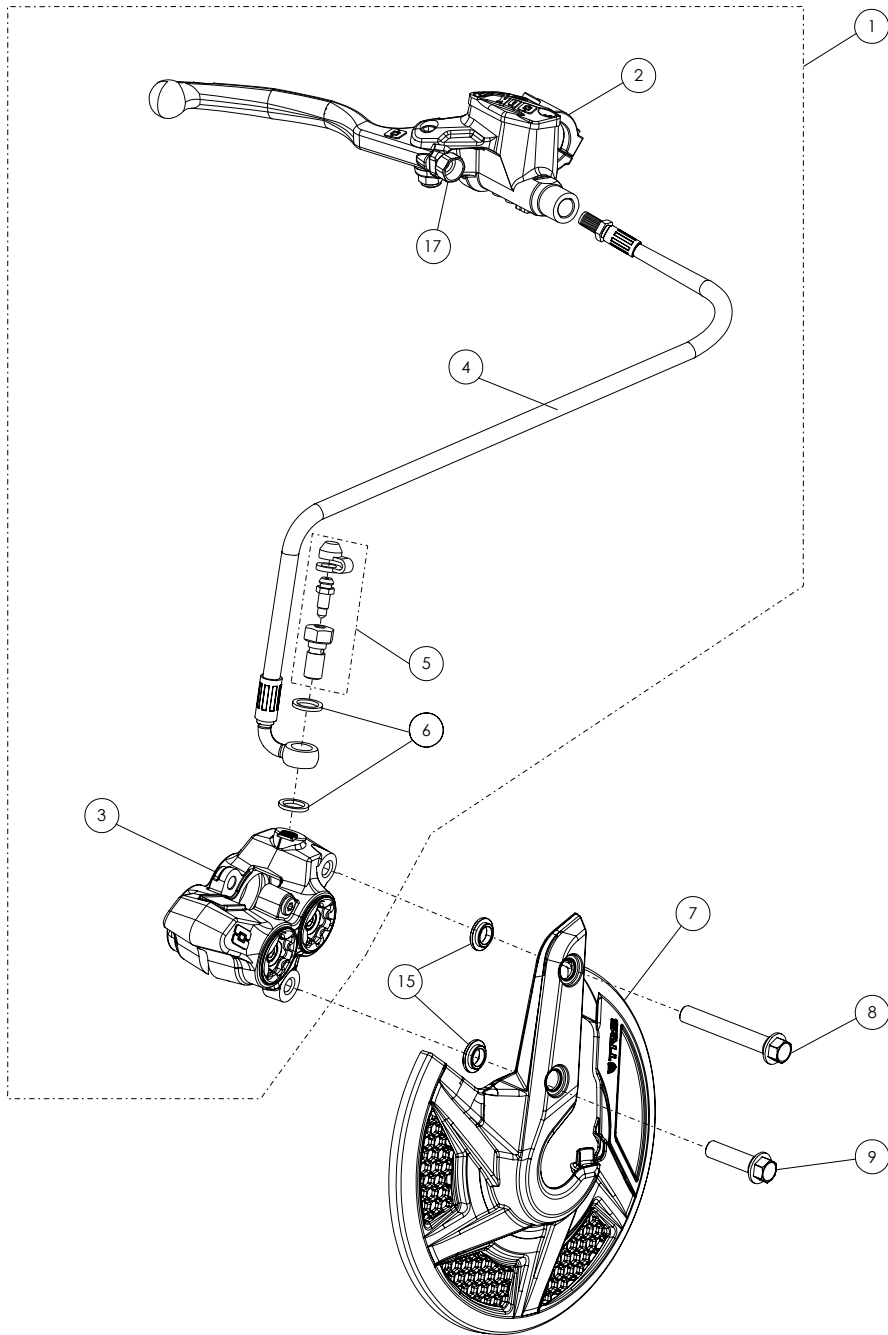


D

C

B

A



Despiece TRRS ONE RR 2024

08 - FD - Freno Delantero / Front Brake

| Nº | Código | Descripción | Description | Cantidad |
|----|-------------------|--|---|----------|
| 1 | 70382 | Conjunto Freno Delantero Racing | <i>Complete front brake assembly Racing</i> | 1 |
| 2 | 70383 | Bomba Freno Delantero Racing | <i>Pump Racing, front brake (master cylinder)</i> | 1 |
| 3 | 70384 | Pinza Freno Delantero Racing | <i>Caliper Racing, front brake</i> | 1 |
| 4 | 70353 | Latiguillo Freno Delantero | <i>Hose, front brake</i> | 1 |
| 5 | 70388 | Racor pinza freno delantero + sangrador II | <i>Banjo bolt + bleeder II</i> | 1 |
| 6 | 56101 | Arandela CU 10x14x1,5 | <i>Washer, CU 10x14x1.5</i> | 2 |
| 7 | 08001TR102 | Protector disco delantero rejado | <i>Front brake disc grided cover</i> | 1 |
| 8 | 50901 | Tornillo DIN 6921 M8x40 - Pinza Freno | <i>Bolt, DIN 6921 M8x40 - Brake caliper</i> | 1 |
| 9 | 50907 | Tornillo DIN 6921 M8x30 - Pinza Freno | <i>Bolt, DIN 6921 M8x30 - Brake caliper</i> | 1 |
| 10 | 70369 | Kit Tapa Bomba | <i>Kit, brake pump cap</i> | 1 |
| 11 | 70356 | Maneta Freno Racing | <i>Racing Brake handle (lever)</i> | 1 |
| 12 | 70376 | Kit Reparación Bomba | <i>Kit, pump internal repair</i> | 1 |
| 13 | 70385 | Juego Pastillas Freno Delantero Racing | <i>Brake pad set Racing, front</i> | 1 |
| 14 | 70380 | Kit Reparación Pinza Freno Racing | <i>Kit, rear caliper repair Racing</i> | 1 |
| 15 | 08002TR100 | Casquillo Protector Disco Delantero | <i>Bushing, front disc protector</i> | 2 |
| 16 | 70918 | Brida bomba anodizado rojo | <i>Clamp, master cylinder red anodized</i> | 1 |
| 17 | 70389 | Tuerca sensor freno delantero RR y GOLD | <i>Nut front brake lamp switch RR & GOLD</i> | 1 |

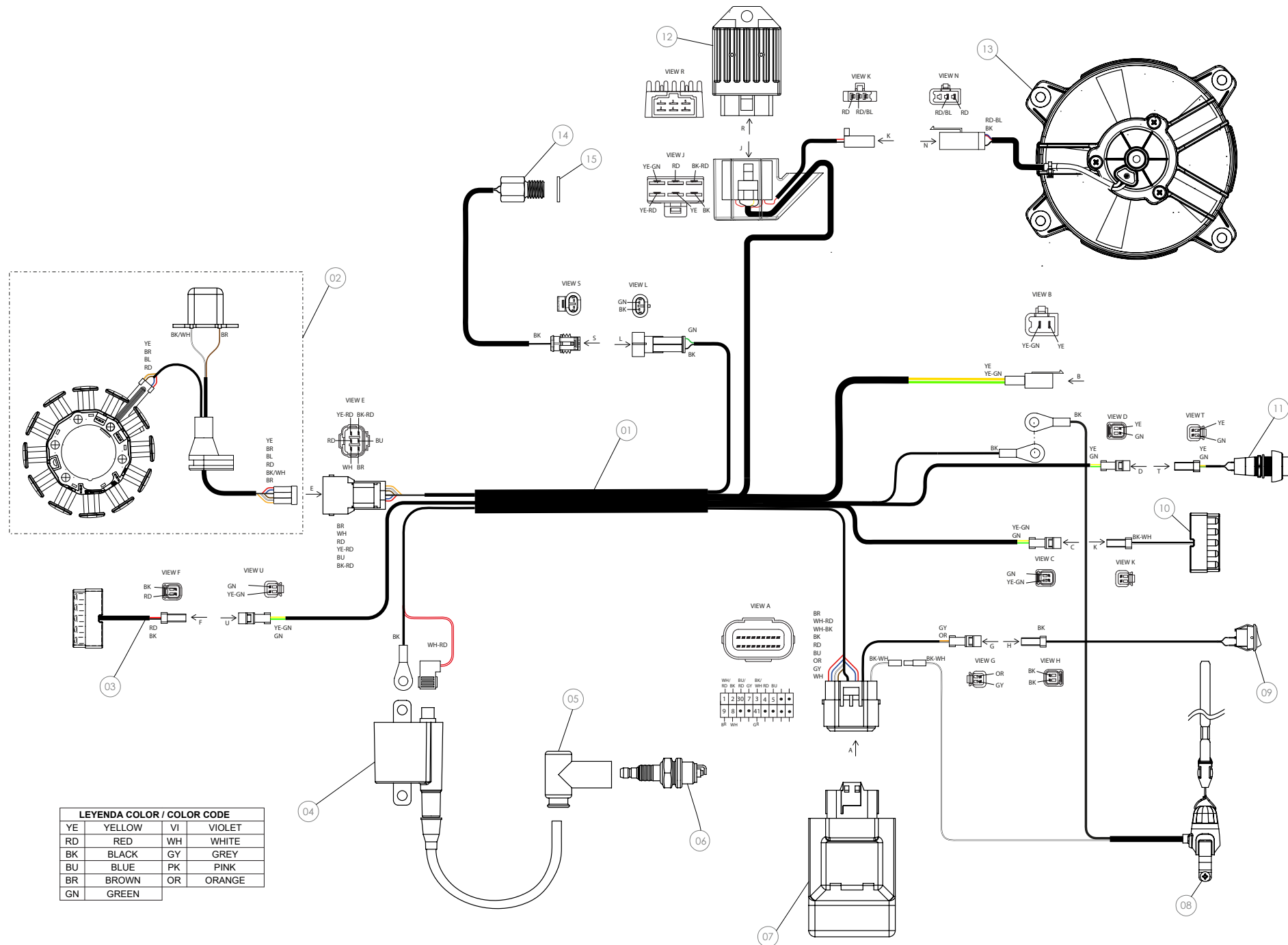


D

C

B

A



| LEYENDA COLOR / COLOR CODE | | | |
|----------------------------|--------|----|--------|
| YE | YELLOW | VI | VIOLET |
| RD | RED | WH | WHITE |
| BK | BLACK | GY | GREY |
| BU | BLUE | PK | PINK |
| BR | BROWN | OR | ORANGE |
| GN | GREEN | | |



09 - IE - Instalación Eléctrica / Electrical installation
 TRRS Motorcycles



Despiece TRRS ONE RR 2024

09 - IE - Instalación Eléctrica / Electrical installation

| Nº | Código | Descripción | Description | Cantidad |
|----|-------------------|---|--|----------|
| 1 | 09012TR100 | Instalacion electrica principal T/Sensor | Main wiring harness T/Sensor | 1 |
| 2 | 70225 | Stator + Pick up - (véase en lámina 08 /Motor-Encendido) | Stator and pickup (see sheet 08 /Engine-Ignition) | 1 |
| 3 | 70202 | Led trasero - (véase en lámina 02 / Caja Filtro) | Rear LED lamp (see sheet 02/ Filter Box) | 1 |
| 4 | 70203 | Bobina de alta - (véase en lámina 08 /Motor-Encendido) | Ignition coil (see sheet 08 /Engine-Ignition) | 1 |
| 5 | 70260 | Pipa bujia corta | Short spark plug cap | 1 |
| 6 | 70205 | Bujía NGK BPMR6A | Spark plug NGK BPMR6A | 1 |
| 7 | 70253 | Caja CDI T/Sensor - (véase en lámina 01 / Chasis) | CDI box (see sheet 01/ Frame) | 1 |
| 8 | 70229 | Botón paro racing, Hombre al agua - (véase en lámina 04 / Horquilla Delantera) | Kill button engine with magnetic lanyard (see sheet 04 / Front Suspension) | 1 |
| 9 | 70208 | Interruptor curva CDI - (véase en lámina 04 / Horquilla Delantera) | Igniton map switch (see sheet 04 / Front Suspension) | 1 |
| 10 | 70209 | Led delantero - (véase en lámina 04 / Horquilla Delantera) | Front led lamp (see sheet 04 / Front suspension) | 1 |
| 11 | 70210 | Pulsador led - (véase en lámina 04 / Horquilla Delantera) | Switch, led lamps (see sheet 04 / Front Suspension) | 1 |
| 12 | 70239 | Regulador ventilador (véase en lámina 13 / Conjunto radiador) | Regulator fan (see sheet 13 / Radiator) | 1 |
| 13 | 70234 | Ventilador - (véase en lámina 13 / Conjunto radiador) | Fan (see sheet 13 / Radiator) | 1 |
| 14 | 70254 | Sensor temperatura - (véase en lámina 07 / Motor - Cilindro y Pistón 250/280/300cc) | Water temperature sensor (see sheet 07 / Engine-Cylinder and piston 250/280/300cc) | 1 |
| 15 | 56102 | Arandela cobre 8x12x1,5 | Copper washer, 8x12x1.5 | 1 |

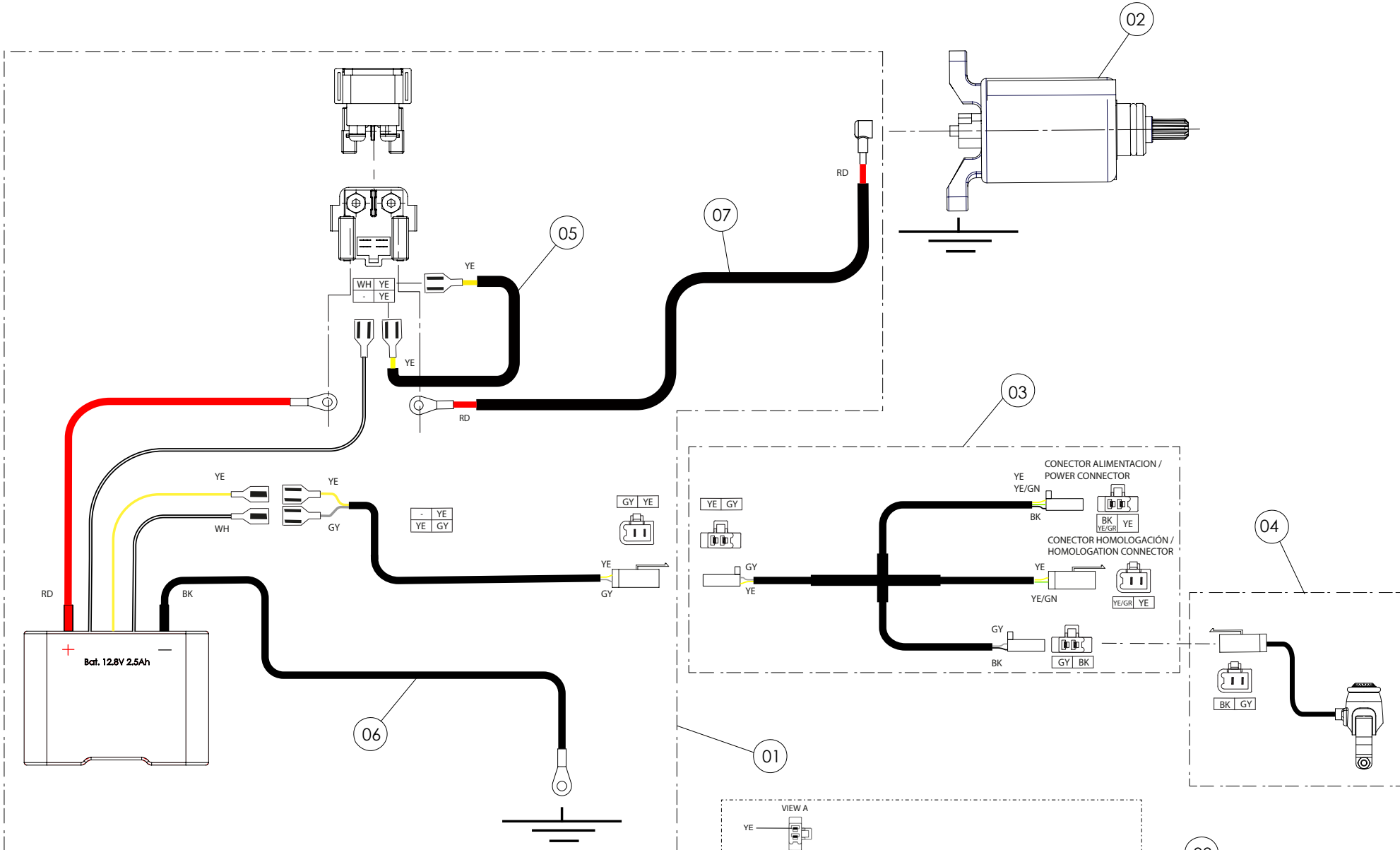


D

C

B

A



LEYENDA COLOR / COLOR CODE

| | | | |
|----|--------|----|-------|
| YE | YELLOW | GY | GREY |
| RD | RED | GN | GREEN |
| BK | BLACK | | |



09b-IE-Instalación Eléctrica Arranque/ Electric Start Instalación
 TRRS Motorcycles



Despiece TRRS ONE RR 2024

09b - IE - Instalación Eléctrica Arranque / Electric Start Instal.

| Nº | Código | Descripción | Description | Cantidad |
|----|------------|---|---|----------|
| 1 | 04028TR100 | Conjunto batería arranque electrico | Battery electric start set | 1 |
| 2 | 70257 | Motor arranque electrico 12V | Starter motor 12V | 1 |
| 3 | 09009TR100 | Ramal instalacion arranque electrico | Branch wiring harness electric starter | 1 |
| 4 | 09007TR100 | Pulsador de arranque con instalacion | Starter button with hardness | 1 |
| 5 | 09011TR100 | Puente rele arranque | Starter relay conexión | 1 |
| 6 | 09014TR100 | Cable negativo batería arranque electrico | Ground cable battery electric start | 1 |
| 7 | 09010TR100 | Cable positivo rele/motor arranque trial | Starter relay/starter motor cable trial | 1 |
| 8 | 09016TR100 | Cable cargador batería arranque electrico | Adapter charger battery electric start | 1 |

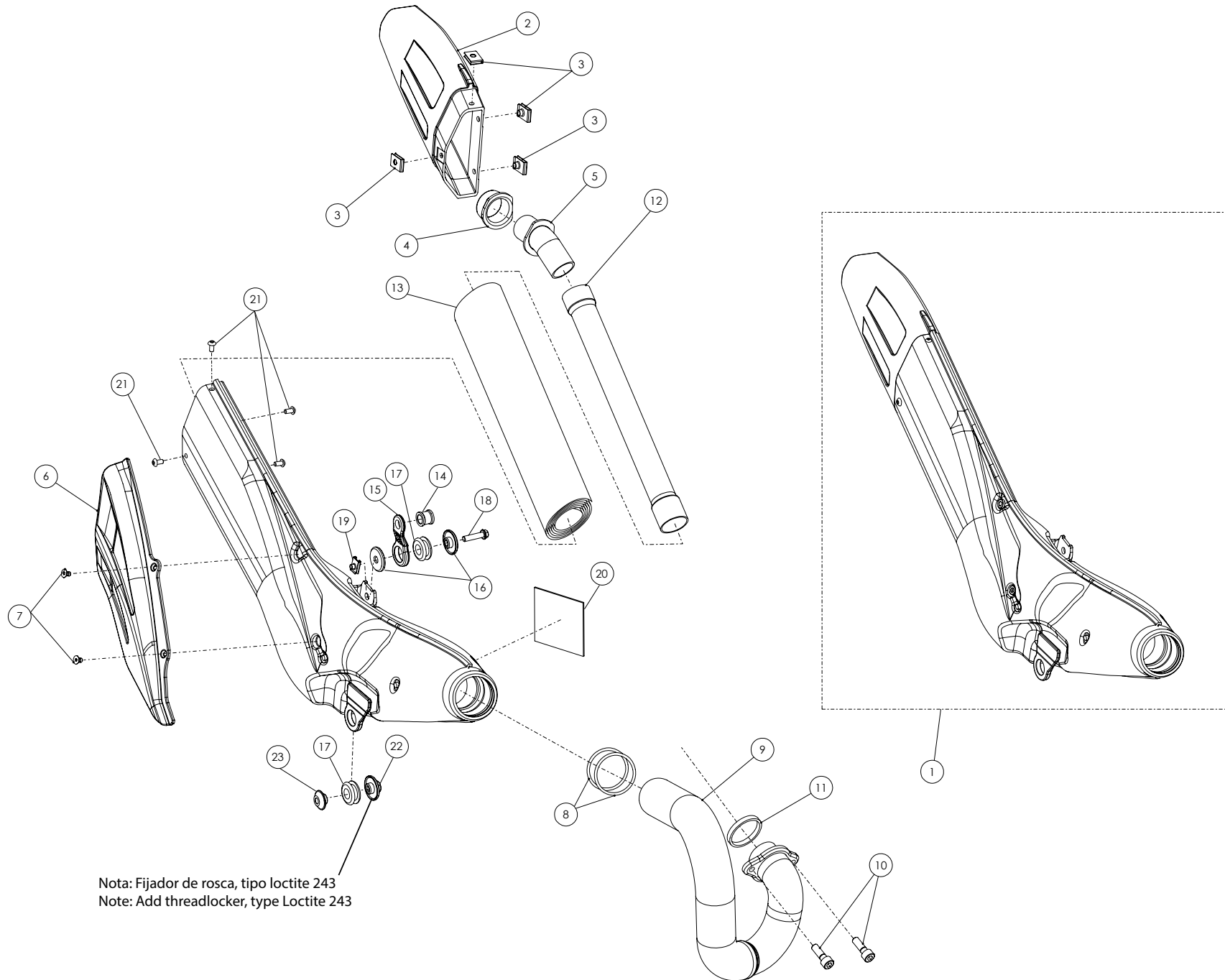


D

C

B

A



Nota: Fijador de rosca, tipo loctite 243
 Note: Add threadlocker, type Loctite 243



Despiece TRRS ONE RR 2024

.10 - CE - Conjunto Escape / Exhaust set

| Nº | Código | Descripción | Description | Cantidad |
|----|------------|---|---|----------|
| 1 | 10025TR100 | Conjunto escape arranque electrico | Exhaust set electric starter | 1 |
| 2 | 10002TR100 | Salida escape | End-cap, exhaust | 1 |
| 3 | 51302 | Tuerca Rápida Universal M5 | Speed nut, universal M5 | 4 |
| 4 | 10003TR100 | Goma Cierre Silencioso | Rubber grommet, silencer end-cap | 1 |
| 5 | 70601 | Tubo Salida Silencioso | Silencer exit tube | 1 |
| 6 | 10004TR100 | Protector escape | Protector exhaust | 1 |
| 7 | 50303 | Tornillo DIN 7991 M5x8 - Protector Escape | Bolt, DIN 7991 M5x8 - Exhaust protector | 2 |
| 8 | 53004 | Tórica 44x3 | O-ring, 44x3 | 2 |
| 9 | 10029TR100 | Curva escape titanio Ø45 | Exhaust pipe, titanium Ø45 | 1 |
| 10 | 50807 | Tornillo DIN 912 M8x20 | Bolt, DIN 912 M8x20 | 2 |
| 11 | 10006TR100 | Junta Metálica Curva Escape | Metal gasket, exhaust pipe | 1 |
| 12 | 70602 | Tubo Interno Silencioso | Silencer internal tube | 1 |
| 13 | 70603 | Fibra Silencioso | Silencer fiber packing | 1 |
| 14 | 10007TR100 | Casquillo Soporte Escape Superior | Bushing, exhaust support, upper | 1 |
| 15 | 10016TR100 | Soporte superior escape | Upper exhaust support | 1 |
| 16 | 10022TR100 | Casquillo soporte escape | Buhsing exhaust support | 2 |
| 17 | 10019TR100 | Goma soporte | Damper rubber | 2 |
| 18 | 50914 | Tornillo hexagonal con valona M6x30 | Bolt hexagonal flange M6x30 | 1 |
| 19 | 51301 | Tuerca Rápida Universal M6 | Speed-nut, Universal M6 | 1 |
| 20 | 10026TR100 | Protector anticalórico escape | Exhaust heat shield protector | 1 |
| 21 | 50210 | Tornillo alomado allen M5x12 | Bolt allen M5x12 | 4 |
| 22 | 10020TR100 | Tuerca soporte inferior escape | Nut lower exhaust support | 1 |
| 23 | 10021TR100 | Casquillo soporte inferior escape | Bushing lower exhasut support | 1 |

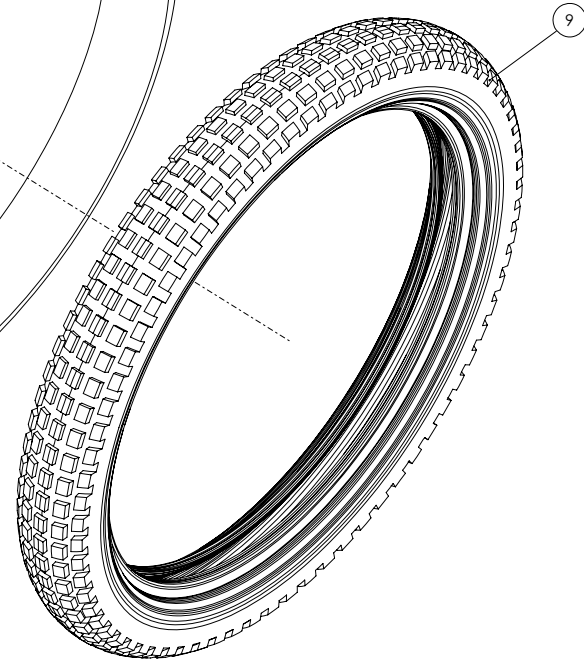
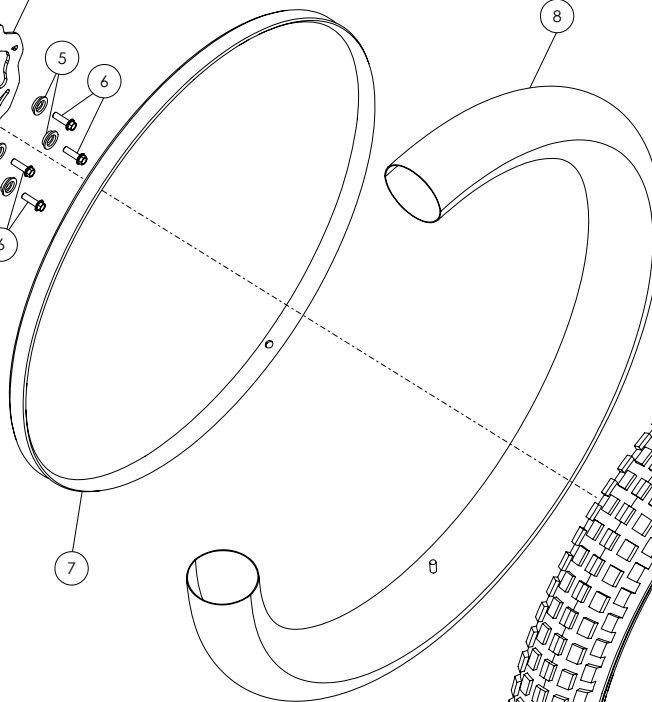
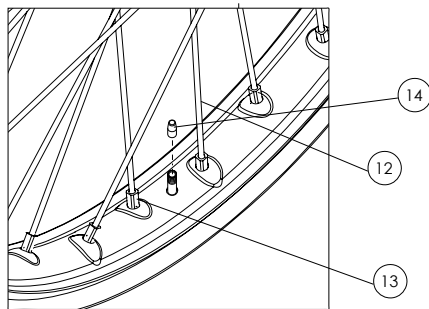
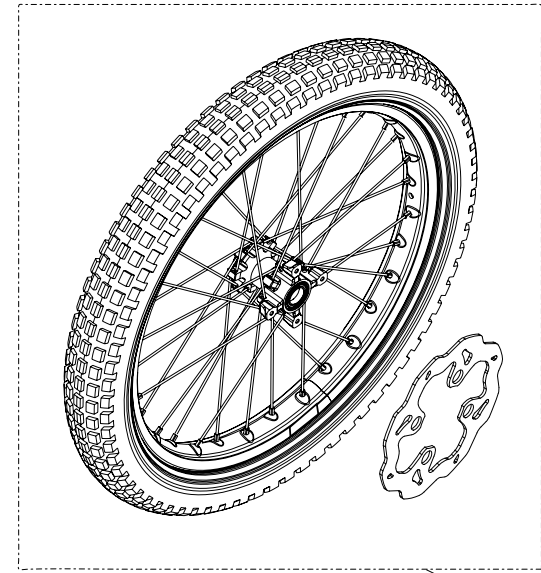
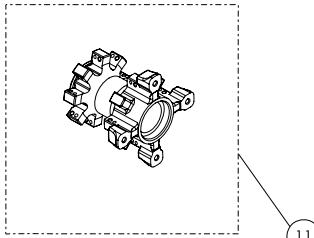
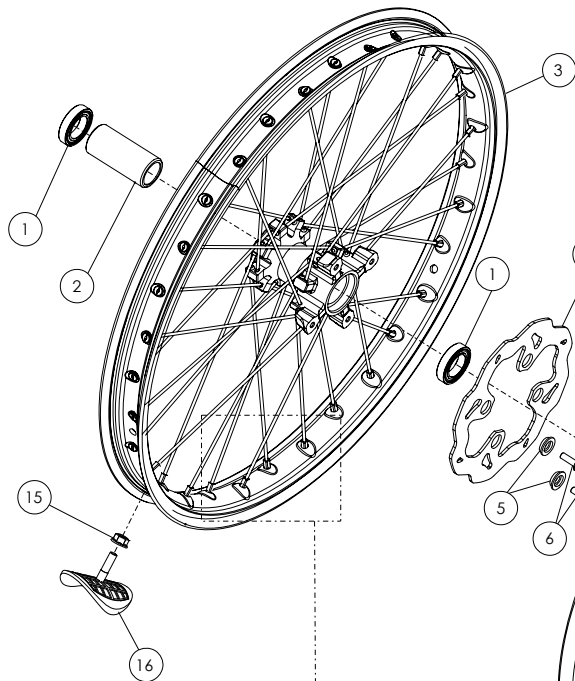


D

C

B

A



Despiece TRRS ONE RR 2024

.11 - RD - Rueda Delantera / Front Wheel

| Nº | Código | Descripción | Description | Cantidad |
|----|--------|---|---|----------|
| 1 | 52101 | Rodamiento 6004 | Bearing, 6004 | 2 |
| 2 | 70701 | Casquillo Interior Buje | Bushing, interior hub | 1 |
| 3 | 70714 | Conjunto llanta delantera (Buje blanco) | Front rim set (White hub) | 1 |
| 4 | 70363 | Disco de Freno Delantero TRS | Front brake disc rotor | 1 |
| 5 | 70364 | Casquillo Disco Freno | Bushing, brake disc rotor | 4 |
| 6 | 50402 | Tornillo DIN 6921 M6 | Bolt, DIN 6921 M6 | 4 |
| 7 | 70703 | Goma Protector | Rubber protector (flap) | 1 |
| 8 | 70704 | Camara Delantera + Válvula | Front inner-tube with valve | 1 |
| 9 | 70705 | Michelin 2,75-21 | Tyre, Michelin 2.75x21 | 1 |
| 10 | 7070G | Cjto. Rueda delantera (bujes blanco, aro negro, adhesivos buje, adhesivo llanta RR2024) | Front wheel set (White hub, black rim, sticker hub, sticker rim RR2024) | 1 |
| 11 | 70712 | Buje delantero | Front hub | 1 |
| 12 | 70708 | Radios Rueda Delantera | Spoke, front wheel | 32 |
| 13 | 70709 | Tuerca Radios Rueda Delantera | Spoke nipple (nuts), front wheel | 32 |
| 14 | 70710 | Tapón Válvula Cámara | Valve cap | 1 |
| 15 | 51105 | Tuerca DIN 6923 M8 | Nut, DIN 6923 M8 | 1 |
| 16 | 70711 | Agarre Cubierta | Lock, Tyre to rim | 1 |



5

4

3

2

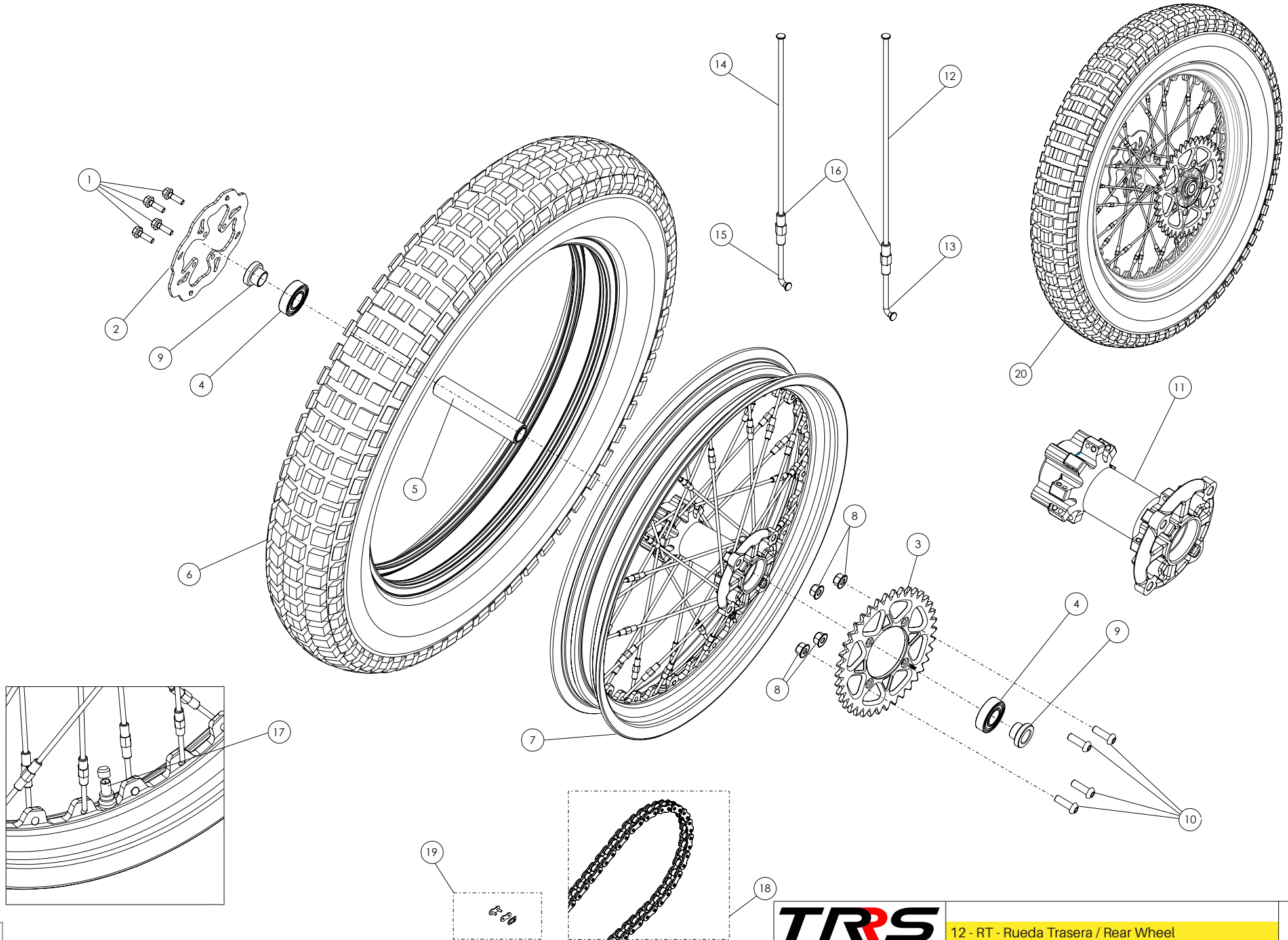
1

D

C

B

A



TRRS
MOTORCYCLES

12 - RT - Rueda Trasera / Rear Wheel
TRRS Motorcycles



Despiece TRRS ONE RR 2024

.12 - RT - Rueda Trasera / Rear Wheel

| Nº | Código | Descripción | Description | Cantidad |
|----|------------|--|--|----------|
| 1 | 50402 | Tornillo DIN6921 M6x20 - Disco Freno Trasero | Bolt, DIN 6921 M6x20 - Rear brake disc rotor | 4 |
| 2 | 70314 | Disco Freno Trasero TRS | Brake disc rotor, rear TRS | 1 |
| 3 | 12007TR100 | Corona 40z Racing ligera anodizado negro (250-280-300cc) | Rear sprocket 40z Racing lightweight black anodized (250-28-300cc) | 1 |
| 4 | 52101 | Rodamiento 6004 | Bearing, 6004 | 2 |
| 5 | 70751 | Casquillo Interior Buje | Bushing, interior hub | 1 |
| 6 | 70752 | Neumático Trasero - Michelin x11 4,00 R18 | Rear tyre - Michelin X11 4.00 R18 | 1 |
| 7 | 70764 | Conjunto llanta trasera (Buje blanco + Llanta aligerada negra) | Rear rim set (White hub + black light rim) | 1 |
| 8 | 51402 | Tuerca DIN 6927 Autoblocante M8 - Corona | Nut, DIN 6927 self locking M8 - Sprocket | 4 |
| 9 | 12002TR100 | Casquillo Distanciador Rueda | Spacer bushing, wheel | 2 |
| 10 | 50207 | Tornillo DIN 7380 M8x25 - Corona | Bolt, DIN 7380 M8x25 - Sprocket | 4 |
| 11 | 70767 | Buje Trasero | Rear hub | 1 |
| 12 | 70755 | Radio M4x0,7 LG. 175/18º | Spoke, M4x0.7 long 175/18 - Right side | 16 |
| 13 | 70756 | Radio M4x0,7 LG. 36/95º | Spoke, M4x0.7 short 36/95 - Right side | 16 |
| 14 | 70757 | Radio M4x0,7 LG. 165/12º | Spoke, M4x0.7 long 165/12 - Left side | 16 |
| 15 | 70758 | Radio M4x0,7 LG. 34,5/103º | Spoke, M4x0.7 short 34.5/103 - Left side | 16 |
| 16 | 70759 | Tuerca Radios Doble Rosca M4 | Nipple (nut) double-end threaded M4 | 32 |
| 17 | 70760 | Válvula | Valve | 1 |
| 18 | 70401 | Cadena 100 pasos / 135 EBXL (520) (250-280-300cc) | Chain 100 Links (250-280-300cc) | 1 |
| 19 | 70402 | Enganche Cadena | Chain master-link | 1 |
| 20 | 7075Z | Cjto. Rueda trasera (Llanta negra aligerada, buje blanco, neumático Michelin, adhesivos llanta RR 2024, corona 40z, disco freno) | Rear rim set (Black rim, hub white, Michelin tire, stickers 2024, break disc, 40z sprocket) | 1 |

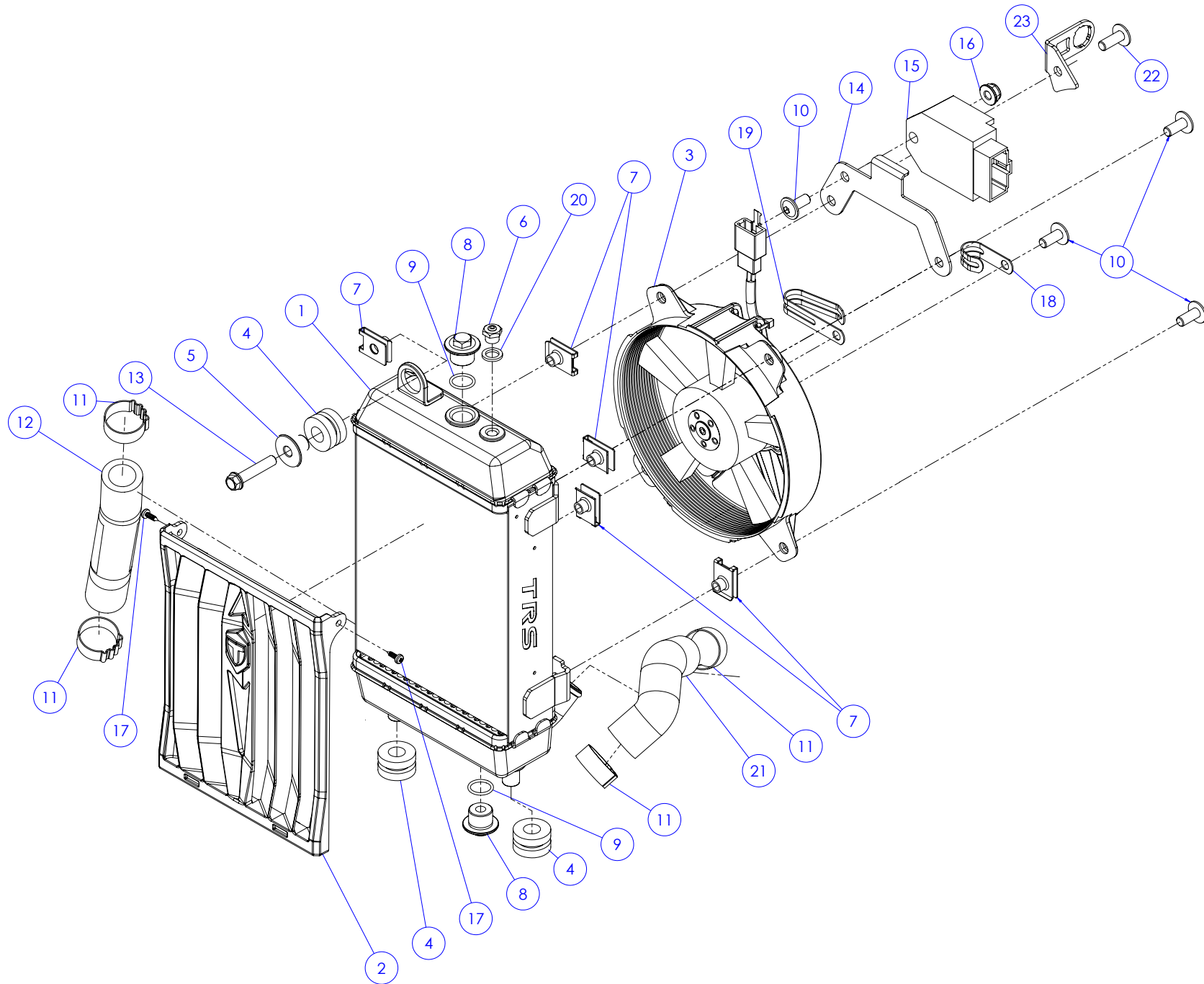


D

C

B

A



Despiece TRRS ONE RR 2024

.13 - CR - Conjunto Radiador / Radiator set

| Nº | Código | Descripción | Description | Cantidad |
|----|-------------------|---|--|----------|
| 1 | 13009TR100 | Radiador TRRS | <i>Radiator TRRS</i> | 1 |
| 2 | 13005TR100 | Protector Radiador | <i>Radiator protect</i> | 1 |
| 3 | 70234 | Ventilador | <i>Fan</i> | 1 |
| 4 | 63002 | Silentblock | <i>Silentblock (vibration isolator)</i> | 3 |
| 5 | 70802 | Casquillo superior silentblock radiador | <i>Bushing, upper silentblock radiator</i> | 1 |
| 6 | 70801 | Válvula expansión radiador | <i>Radiator expansion valve</i> | 1 |
| 7 | 51301 | Tuerca rápida universal M6 | <i>Universal clip-nut, M6</i> | 5 |
| 8 | 13004TR100 | Tapón Radiador | <i>Radiator cap</i> | 2 |
| 9 | 53015 | Tórica 12x1,5 | <i>O-ring, 12x1.5</i> | 2 |
| 10 | 50209 | Tornillo allen con valona M6x14 | <i>Screw allen with washer M6x14</i> | 5 |
| 11 | 58009 | Abrazadera Cobra 22 | <i>Hose clamp, Cobra 22</i> | 4 |
| 12 | 13003TR101 | Tubo agua silicona rojo (Bomba- Radiador) | <i>Water hose red silicone (Water pump - Radiator)</i> | 1 |
| 13 | 50914 | Tornillo hexagonal con valona M6x30 | <i>Bolt hexagonal flange M6x30</i> | 1 |
| 14 | 13011TR100 | Soporte regulador ventilador | <i>Fan regulator support</i> | 1 |
| 15 | 70239 | Regulador ventilador DC | <i>Regulator fan DC</i> | 1 |
| 16 | 51501 | Tuerca Autoblocante M6 | <i>Locknut M6</i> | 1 |
| 17 | 50606 | Tornillo 2,9x9,5 rosca chapa | <i>Screw 2.9x9.5</i> | 2 |
| 18 | 58001 | Abrazadera 60mm | <i>Clamp 60mm</i> | 1 |
| 19 | 58002 | Abrazadera para Cableado 100mm | <i>Clamp for cables, 100mm</i> | 1 |
| 20 | 56102 | Arandela cobre 8x12x1,5 | <i>Copper washer, 8x12x1.5</i> | 1 |
| 21 | 13012TR100 | Tubo agua rojo silicona (Cul.-Rad.) | <i>Water hose red silicone (Cyl.- Rad.)</i> | 1 |
| 22 | 50202 | Tornillo DIN 7380-fl M6x16 | <i>Bolt, DIN 7380-fl M6x16</i> | 1 |
| 23 | 13013TR100 | Soporte interruptor CDI | <i>Support CDI switch</i> | 1 |

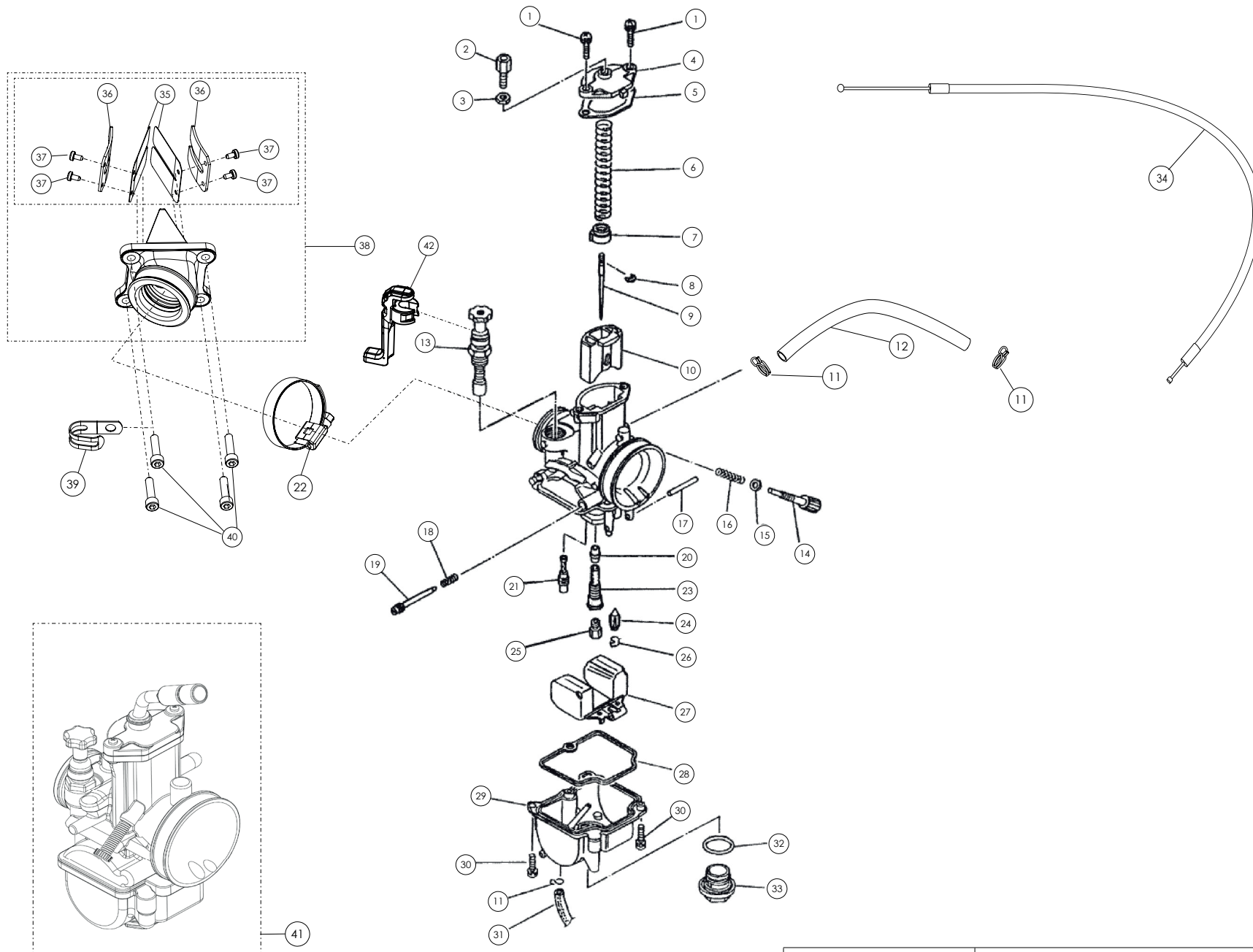


D

C

B

A



Despiece TRRS ONE RR 2024

14 - CC - Caja de Láminas y Carburador / Reed Cage & Carburetor

| Nº | Código | Descripción | Description | Cantidad |
|----|--------------|--------------------------------------|------------------------------------|----------|
| 1 | - | - | Screw, top cover | - |
| 2 | - | - | Cable Adjuster | - |
| 3 | - | - | Nut, Cable Adjuster | - |
| 4 | - | - | Top Cover | - |
| 5 | - | - | Gasket, Top | - |
| 6 | - | - | Spring, Throttle Valve | - |
| 7 | - | - | Collar, Throttle Spring | - |
| 8 | - | - | Clip, Jet Needle | - |
| 9 | 72010 | Aguja JJH 4º punto | Jet Needle JJH 4º step | - |
| 10 | - | - | Throttle Valve | - |
| 11 | 58010 | Clip Tubo | Fuel hose clip | 2 |
| 12 | 62002 | Tubo Gasolina | Fuel hose | 1 |
| 13 | - | - | Starter Valve (pull knob) Complete | - |
| 14 | 72018 | Tornillo ajuste ralenti Keihin | Idle adjuster Keihin | 1 |
| 15 | - | - | Washer, Idle Adjuster | - |
| 16 | - | - | Spring, Idle Adjuster | - |
| 17 | - | - | Float Pin | - |
| 18 | - | - | Spring, Air Adjuster | - |
| 19 | - | - | Air Adjust Screw | - |
| 20 | - | - | Needle Jet | - |
| 21 | 72006 | Chiclé bajas 48 (250-280-300cc) | Slow Jet 48 (250-280-300cc) | 1 |
| 22 | 58011 | Abrazadera Norma30/45 | Clamp, Norma 30/45 | 1 |
| 23 | - | - | Needle Jet Holder SDGAA | - |
| 24 | - | - | Float Valve Complete | - |
| 25 | 72003 | Chiclé principal 125 (250-280-300cc) | Main Jet 125 (250-280-300cc) | 1 |
| 26 | - | - | Clip, Float Valve | - |
| 27 | - | - | Float | - |



Despiece TRRS ONE RR 2024

.14 - CC - Caja de Láminas y Carburador / Reed Cage & Carburetor

| Nº | Código | Descripción | Description | Cantidad |
|----|-------------------|-----------------------------------|------------------------------------|----------|
| 28 | - | - | <i>Gasket, Float Bowl</i> | - |
| 29 | - | - | <i>Float Bowl Complete</i> | - |
| 30 | - | - | <i>Screw, Float Bowl</i> | - |
| 31 | - | - | <i>Overflow pipe</i> | - |
| 32 | - | - | <i>O-Ring, Plug Screw</i> | - |
| 33 | - | - | <i>Plug Screw</i> | - |
| 34 | 14004TR100 | Cable De Gas Regulable | <i>Throttle cable</i> | 1 |
| 35 | 70446 | Láminas | <i>Reed valves</i> | 1 |
| 36 | - | Tope Metálico Láminas | <i>Metal stop, reeds</i> | 1 |
| 37 | - | Tornillo M3 | <i>Bolt, M3</i> | 1 |
| 38 | 14005TR100 | Caja Láminas Completa Keihin | <i>Complete reed cage assembly</i> | 1 |
| 39 | 58001 | Abrazadera 60mm | <i>Clamp 60mm</i> | 1 |
| 40 | 50112 | Tornillo Din 912 M5X20 | <i>Bolt, DIN 912 M5x20</i> | 4 |
| 41 | 70452 | Carburador Keihin PWK28 | <i>Carburetor, Keihin PWK28</i> | 1 |
| 42 | 14009TR100 | Adaptador tirador estarter Keihin | <i>Choke puller Keihin adapter</i> | 1 |

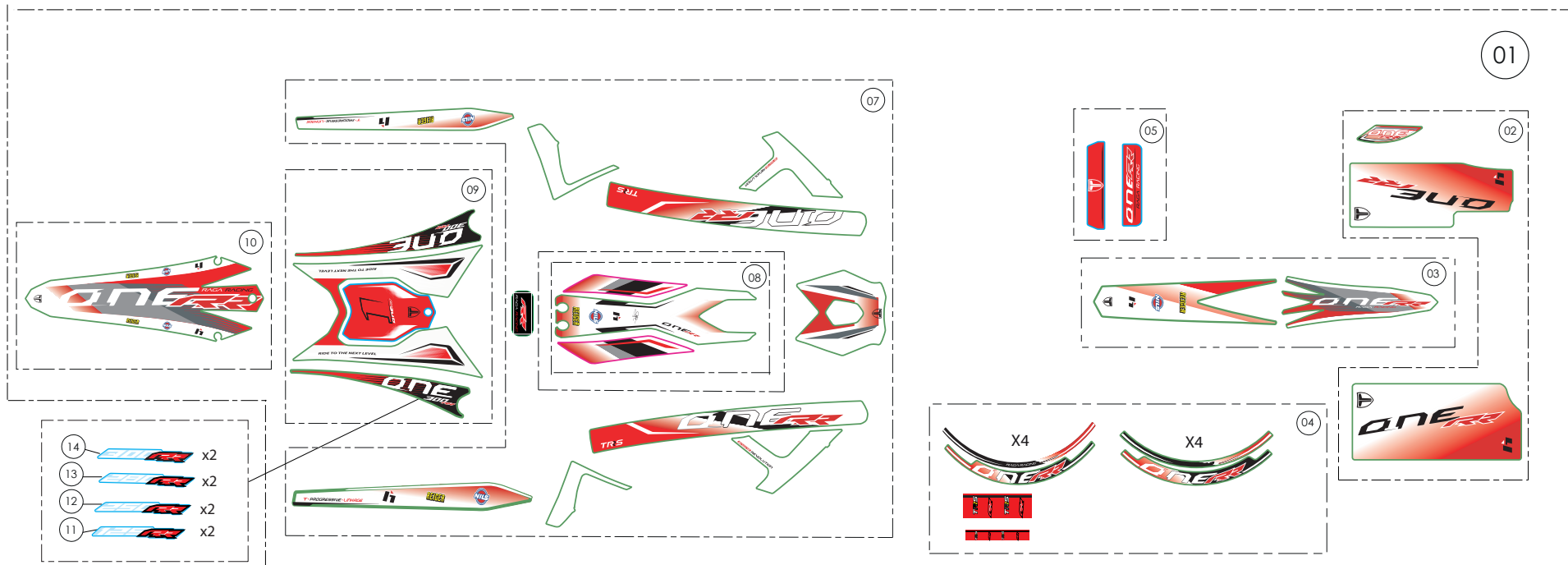


D

C

B

A



01

05

02

10

09

08

03

14

13

12

11

x2

x2

x2

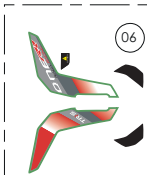
x2

07

X4

X4

04

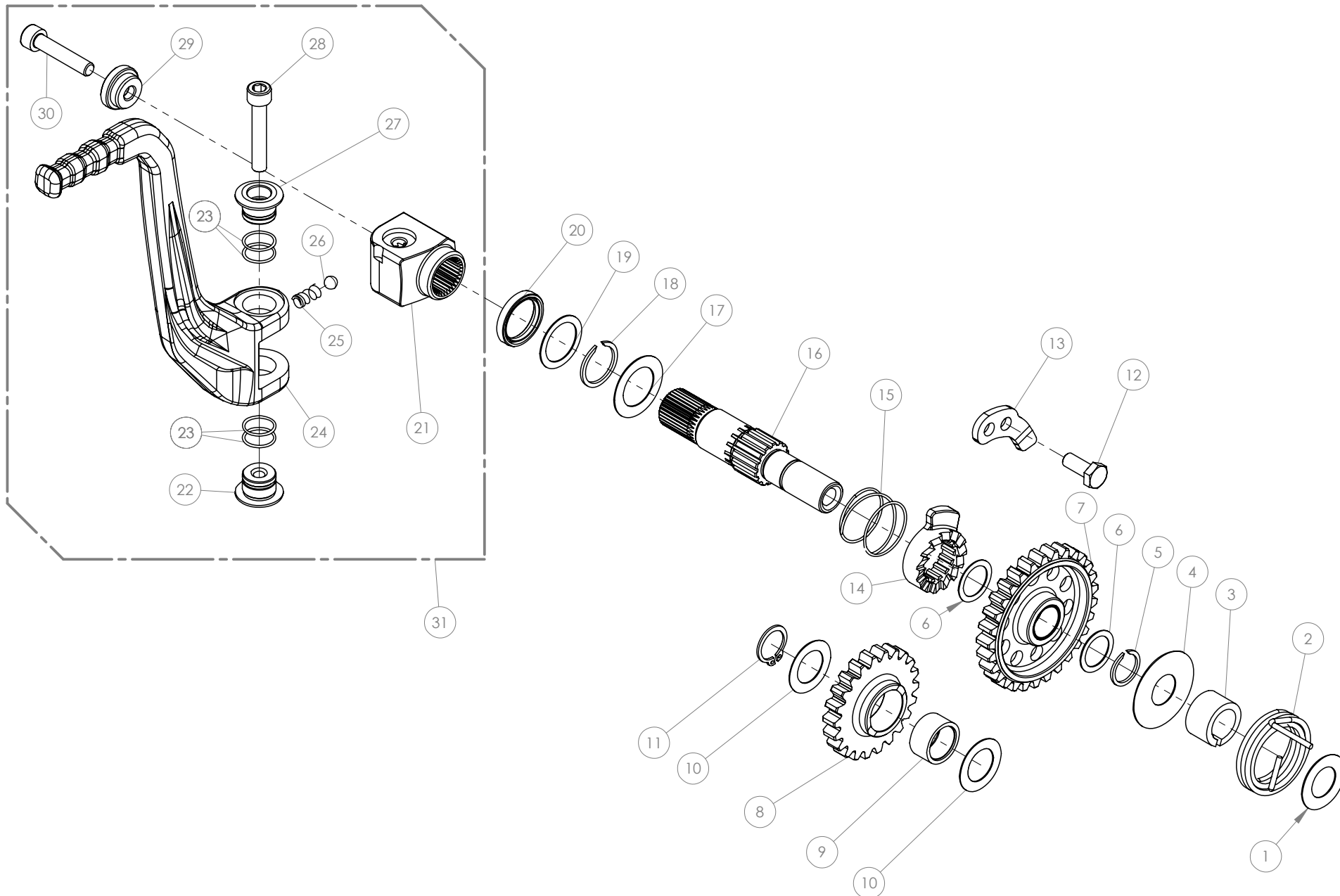


Despiece TRRS ONE RR 2024

.15 - CA - Conjunto Adhesivos / Stickers set

| Nº | Código | Descripción | Description | Cantidad |
|----|------------|--|--|----------|
| 1 | 15086TR100 | Conjunto adhesivos ONE RR 2024 | Sticker kit ONE RR 2024 | 1 |
| 2 | 15086TR101 | Cjto. Adhesivos horquilla delantera RR 2024 | Stickers set, fork RR 2024 | 1 |
| 3 | 15086TR102 | Adhesivos guardabarros delantero RR 2024 | Sticker, front mudguard RR 2024 | 1 |
| 4 | 15086TR109 | Cjto. Adhesivos ruedas RR 2024 | Wheels sticker set RR 2024 | 1 |
| 5 | 15086TR104 | Adhesivos radiador RR 2024 | Radiator stiker RR 2024 | 1 |
| 6 | 15086TR115 | Adhesivo careta faro arranque eléctrico RR 2024 completo | Sticker headlamp mask electric start RR 2024 set | 1 |
| 7 | 15086TR105 | Cjto. Adhesivos chasis y basculante RR 2024 | Stickers set, frame and swing-arm RR 2024 | 1 |
| 8 | 15086TR106 | Adhesivo depósito RR 2024 | Sticker, fuel tank RR 2024 | 1 |
| 9 | 15086TR107 | Cjto. Adhesivos caja filtro RR 2024 | Sticker, air filter box RR 2024 set | 1 |
| 10 | 15086TR418 | Adhesivo guardabarros trasero RR 2024 | Sticker, rear mudguard (fender) RR 2024 | 1 |
| 11 | 15086TR110 | Adhesivos cilindrada RR 2024 - 125 | Sticker, engine size RR 2024 - 125 | 1 |
| 12 | 15086TR111 | Adhesivos cilindrada RR 2024 - 250 | Sticker, engine size RR 2024 - 250 | 1 |
| 13 | 15086TR112 | Adhesivos cilindrada RR 2024 - 280 | Sticker, engine size RR 2024 - 280 | 1 |
| 14 | 15086TR113 | Adhesivos cilindrada RR 2024 - 300 | Sticker, engine size RR 2024 - 300 | 1 |





Despiece TRRS ONE RR 2024

01 - AP - Arranque Palanca / Pedal Start

| Nº | Código | Descripción | Description | Cantidad |
|----|------------|---|--|----------|
| 1 | 01001MT100 | Arandela Interna Arranque 25x14x0.5 | Washer, internal kick-start 25x14x0.5 | 1 |
| 2 | 01002MT101 | Muelle Arranque | Spring, kick-start | 1 |
| 3 | 01018MT100 | Casquillo eje arranque | Spacer, kick starter | 1 |
| 4 | 01019MT100 | Arandela muelle arranque 14x35x0,5 | Washer, kick starter spring | 1 |
| 5 | 55010 | Circlip Arranque DIN-471 Ø14x1 | Circlip, kick starter DIN-471Ø14 x1 | 1 |
| 6 | 01020MT100 | Arandela piñon arranque 14x19x0,5 | Washer, Kick starter gear | 2 |
| 7 | 01026MT100 | Piñon arranque | Gear kick starter assembly | 1 |
| 8 | 01027MT100 | Piñon Intermedio Arranque | Gear, intermediate kick-start | 1 |
| 9 | 52513 | Rodamiento agujas Piñón Intermedio K15x19x10 | Bearing needle | 1 |
| 10 | 01015MT100 | Arandela Piñon Intermedio Arranque 24x15x0.5 | Washer, intermediate kick-start gear 24x15x0.5 | 2 |
| 11 | 55002 | Circlip Piñón Intermedio Arranque 15X1 DIN-471 | Circlip, intermediate kick-start gear 15x1 DIN-471 | 1 |
| 12 | 50503 | Tornillo Hexagonal | Bolt hexagonal | 1 |
| 13 | 01025MT100 | Chapa tope trinquete | Ratchet cam | 1 |
| 14 | 01022MT100 | Trinquete arranque | Kick starter ratchet | 1 |
| 15 | 01023MT100 | Muelle trinquete arranque | Spring, kick starter ratched | 1 |
| 16 | 01024MT100 | Eje arranque | Kick starter shaft | 1 |
| 17 | 01028MT100 | Arandela Ø14Ø28x0.5 | Washer | 1 |
| 18 | 55011 | Circlip DIN-471 Ø18 x1.2 | Circlip DIN-471Ø18 x1.2 | 1 |
| 19 | 01008MT101 | Arandela Eje Arranque 18X24X0,5 | Washer, kick-start shaft 18x24x0.5 | 1 |
| 20 | 54003 | Retén Arranque 18x24x4 | Seal, kick-start 18x24x4 | 1 |
| 21 | 01010MT100 | Muñequilla Pedal Arranque | Fulcrum, kick-start pedal | 1 |
| 22 | 01011MT100 | Casquillo Pedal Arranque - Inferior | Bushing, kick-start pedal (lower) | 1 |
| 23 | 53007 | Tórica Muñequilla Nbr 12X1 | O-ring, starter fulcrum Nbr 12x1 | 4 |
| 24 | 01014MT100 | Pedal Arranque Trs | Pedal, kick-start | 1 |
| 25 | 01013MT100 | Muelle posicionador palanca arranque | Spring, kickstart position | 1 |
| 26 | 60002 | Bola Pedal Arranque F84Kug5,556 | Ball, kick-start retention | 1 |
| 27 | 01009MT100 | Casquillo Pedal Arranque - Superior | Bushing, kick-start pedal (upper) | 1 |
| 28 | 50113 | Tornillo Pedal Arranque Din 912 M6X1X35 | Bolt, kick-start pedal DIN 912 M6x1x35 | 1 |
| 29 | 01012MT101 | Casquillo sujeccion palanca arranque anodizado rojo | Kick-start bushing red anodized | 1 |
| 30 | 50110 | Tornillo Din 912 M6X25 Muñequilla Arranque | Bolt, Din 912 M6x25 kick-start fulcrum | 1 |
| 31 | 01017MT100 | Conjunto Palanca | Set, Starting Pedal | 1 |

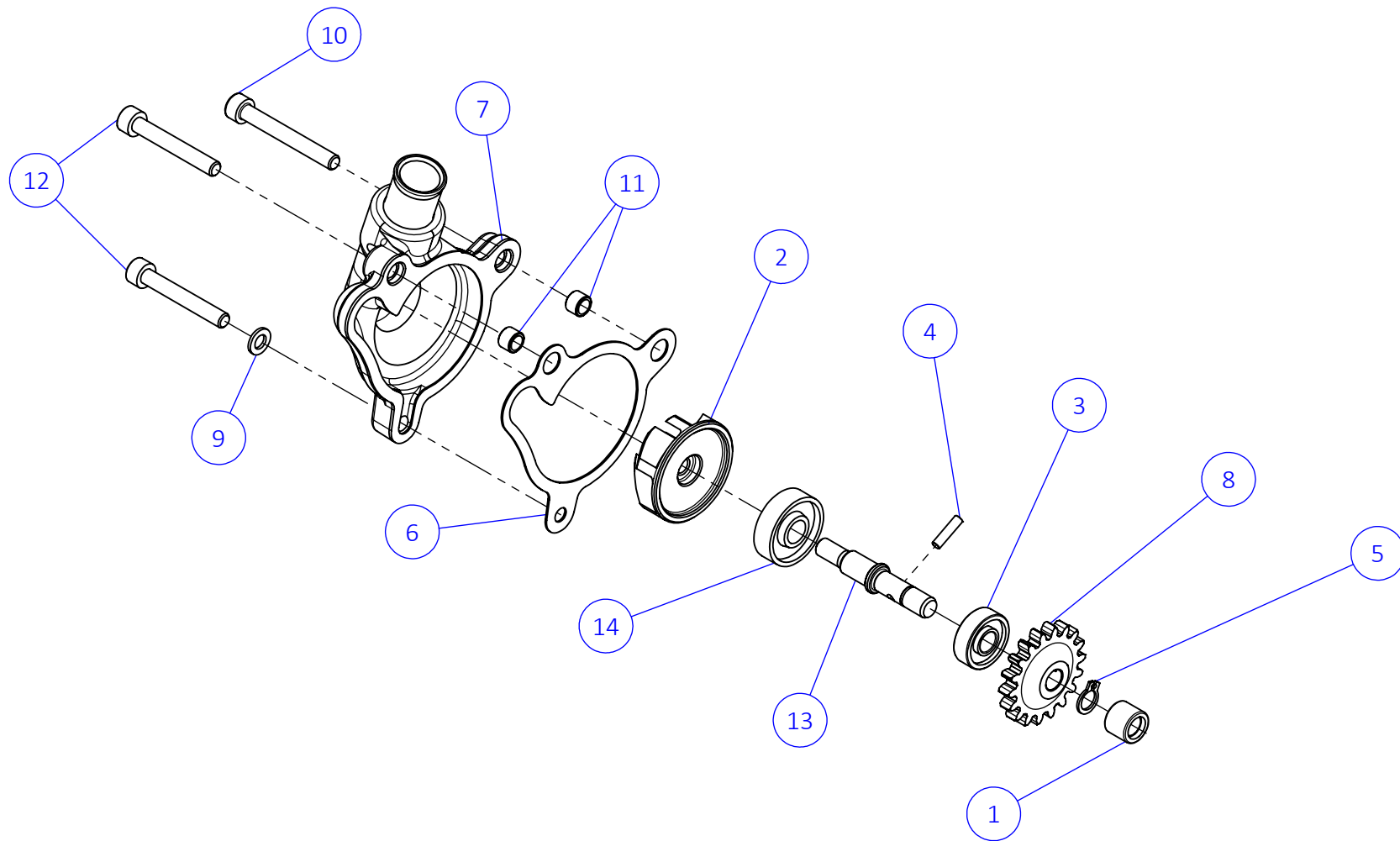


D

C

B

A

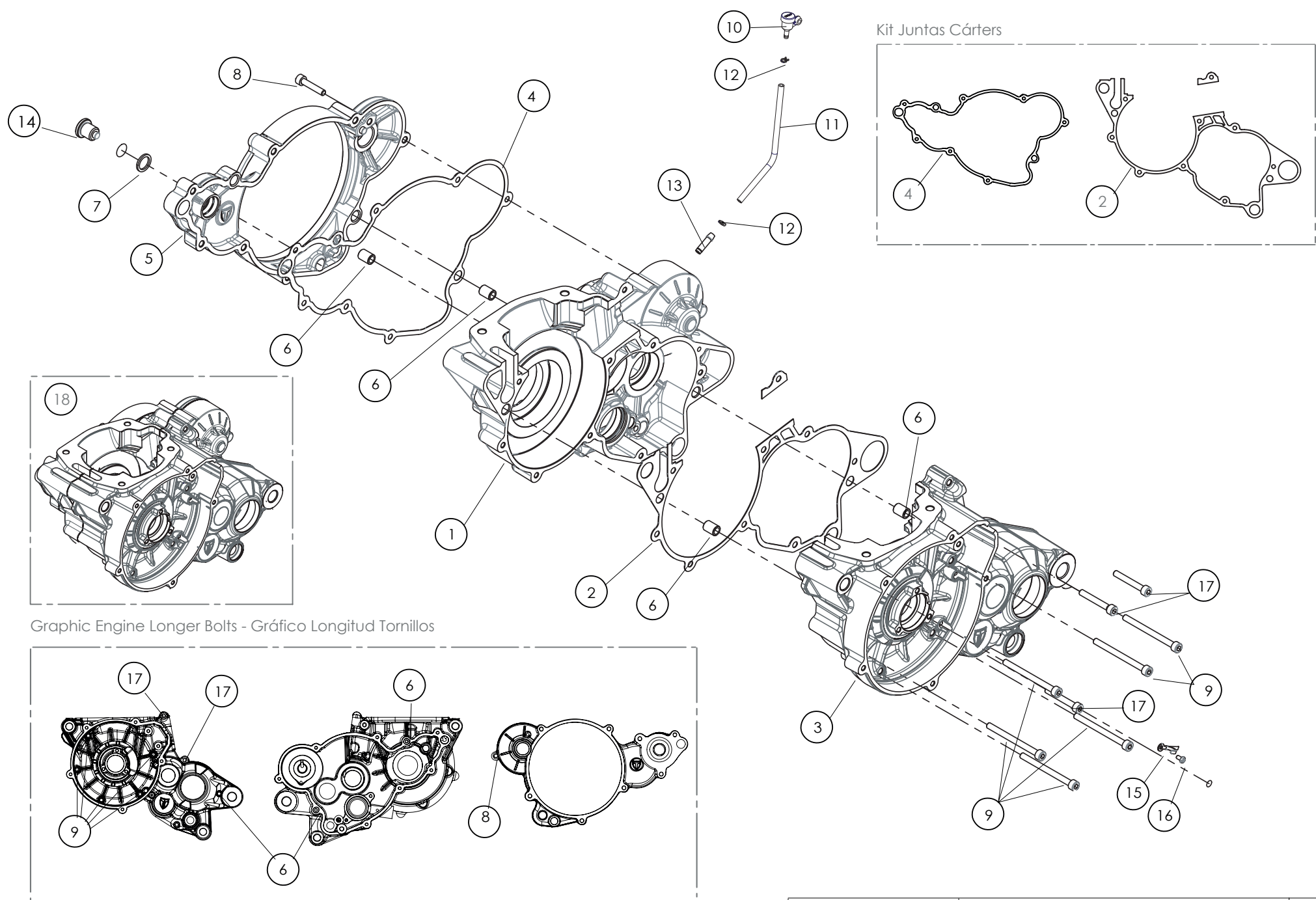


Despiece TRRS ONE RR 2024

.02 - BA - Bomba Agua / Water Pump

| Nº | Código | Descripción | Description | Cantidad |
|----|------------|------------------------------|--------------------------------|----------|
| 1 | 52504 | Rodamiento Agujas HK0709 | Needle bearing HK0709 | 1 |
| 2 | 02003MT100 | Turbina Bomba Agua | Turbine, water-pump | 1 |
| 3 | 52102 | Rodamiento Bomba 19x7x6 607 | Bearing, water-pump 19x7x6 607 | 1 |
| 4 | 61002 | Aguja Ø3x11,8 | Needle Ø3x11,8 | 1 |
| 5 | 55003 | Circlip 7x0,8 Din-471 | Circlip 7x0,8 Din-471 | 1 |
| 6 | 02008MT100 | Junta tapa bomba agua | Gasket, water-pump cover | 1 |
| 7 | 02009MT100 | Cjto. Tapa bomba agua | Water-pump cover set | 1 |
| 8 | 02001MT100 | Piñón Bomba Agua | Gear, water-pump | 1 |
| 9 | 56103 | Arandela bronce Ø5x9x1 | Washer cooper Ø5x9x1 | 1 |
| 10 | 50115 | Tornillo Allen DIN 912 M5x40 | Bolt, Allen DIN 912 M5x40 | 1 |
| 11 | 57005 | Casquillo 5x7x5 | Bushing 5x7x5 | 2 |
| 12 | 50116 | Tornillo Allen DIN 912 M5x35 | Bolt, Allen DIN 912 M5x35 | 2 |
| 13 | 02010MT100 | Eje Bomba agua II | Shaft, water pump II | 1 |
| 14 | 54013 | Retén bomba agua 8x24x7 NBR | Seal, water-pump 8x24x7 NBR | 1 |





Kit Juntas Cárters

Graphic Engine Longer Bolts - Gráfico Longitud Tornillos



Despiece TRRS ONE RR 2024

.03 - CM - Cárters Motor / Engine Case Halve

| Nº | Código | Descripción | Description | Cantidad |
|----|------------|--|--|----------|
| 1 | 03022MT100 | Carter derecho II | <i>Crankcase right II</i> | 1 |
| 2 | 03024MT100 | Junta carter central II | <i>Engine case gasket II</i> | 1 |
| 3 | 03023MT100 | Carter izquierdo arranque electrico II | <i>Left crankcase electric starter II</i> | 1 |
| 4 | 03011MT100 | Junta carter embrague | <i>Gasket, clutch cover</i> | 1 |
| 5 | 03018MT101 | Tapa interior embrague II | <i>Inner clutch cover II</i> | 1 |
| 6 | 57002 | Centrador carter | <i>Centering bushing, crank case</i> | 4 |
| 7 | 56104 | Arandela 12X16X1.5 cobre | <i>Copper washer, 12x16x1.5</i> | 3 |
| 8 | 50121 | Tornillo allen M5X30 | <i>Bolt allen M5x30</i> | 1 |
| 9 | 50117 | Tornillo allen M5X60 | <i>Bolt allen M5x60</i> | 6 |
| 10 | 01018TR100 | Depósito desvaporizador | <i>Ventilation reservoir</i> | 1 |
| 11 | 62104 | Tubo tubo goma desvaporizador carter | <i>Rubber hose crankcase vent</i> | 1 |
| 12 | 58010 | Clip Tubo desvaporizador | <i>Clip, vent hose retention</i> | 2 |
| 13 | 704A0 | Racord desvaporizador metal | <i>Breather straight tube</i> | 1 |
| 14 | 03003MT100 | Tapón vaciado aceite con imán | <i>Drain plug oil with magnet</i> | 2 |
| 15 | 58016 | Abrazadera regulable revestida con vinilo Ø3 | <i>Adjustable clamp vinyl coated Ø3</i> | 1 |
| 16 | 50B01 | Tornillo M3x6 Phillips | <i>Bolt M3x6 Phillips</i> | 1 |
| 17 | 50116 | Tornillo allen M5X35 | <i>Bolt allen M5x35</i> | 3 |
| 18 | 03026MT100 | Conjunto carteres arranque electrico II | <i>Engine case set electric starter II</i> | 1 |

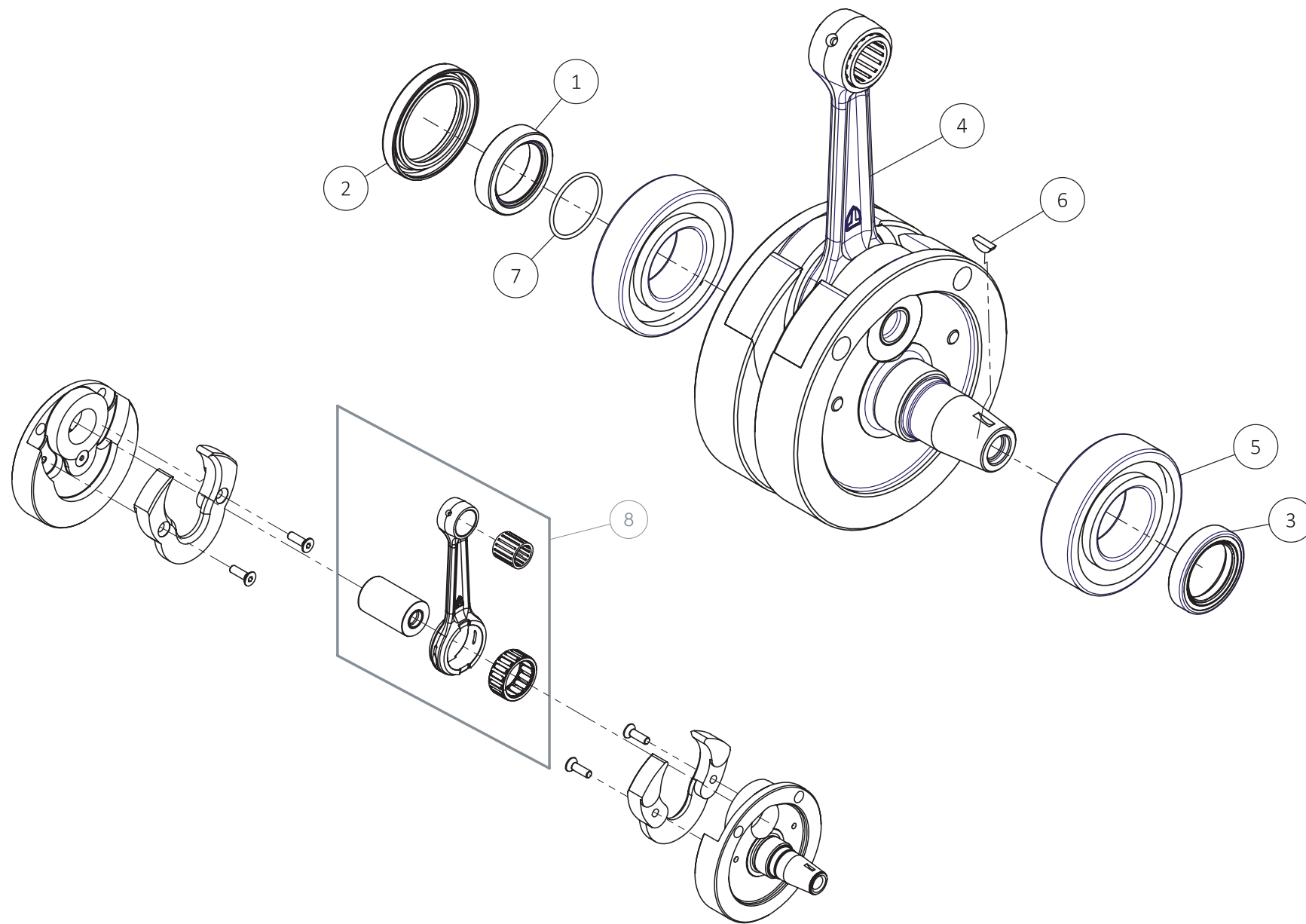


D

C

B

A



Despiece TRRS ONE RR 2024

.04 - CM - Cigüeñal / Crankshaft (250-280-300 cc)

| Nº | Código | Descripción | Description | Cantidad |
|----|------------|---------------------------------|------------------------------------|----------|
| 1 | 04023MT100 | Casquillo piñón salida cigüeñal | <i>Bushing, primary gear</i> | 1 |
| 2 | 54011 | Reten doble labio (Primario) | <i>Double Lip Seal</i> | 1 |
| 3 | 54005 | Retén cigüeñal volante | <i>Seal, crankshaft magneto</i> | 1 |
| 4 | 04025MT100 | Cigüeñal arranque electrico | <i>crankshaft electric starter</i> | 1 |
| 5 | 52109 | Rodamiento de bolas | <i>Ball bearing</i> | 2 |
| 6 | 59001 | Chaveta volante magnético | <i>Key, magneto flywheel</i> | 1 |
| 7 | 53016 | Tórica 25x1,5 | <i>O-ring 25x1,5</i> | 1 |
| 8 | 04003MT100 | Kit biela | <i>Rod kit</i> | 1 |

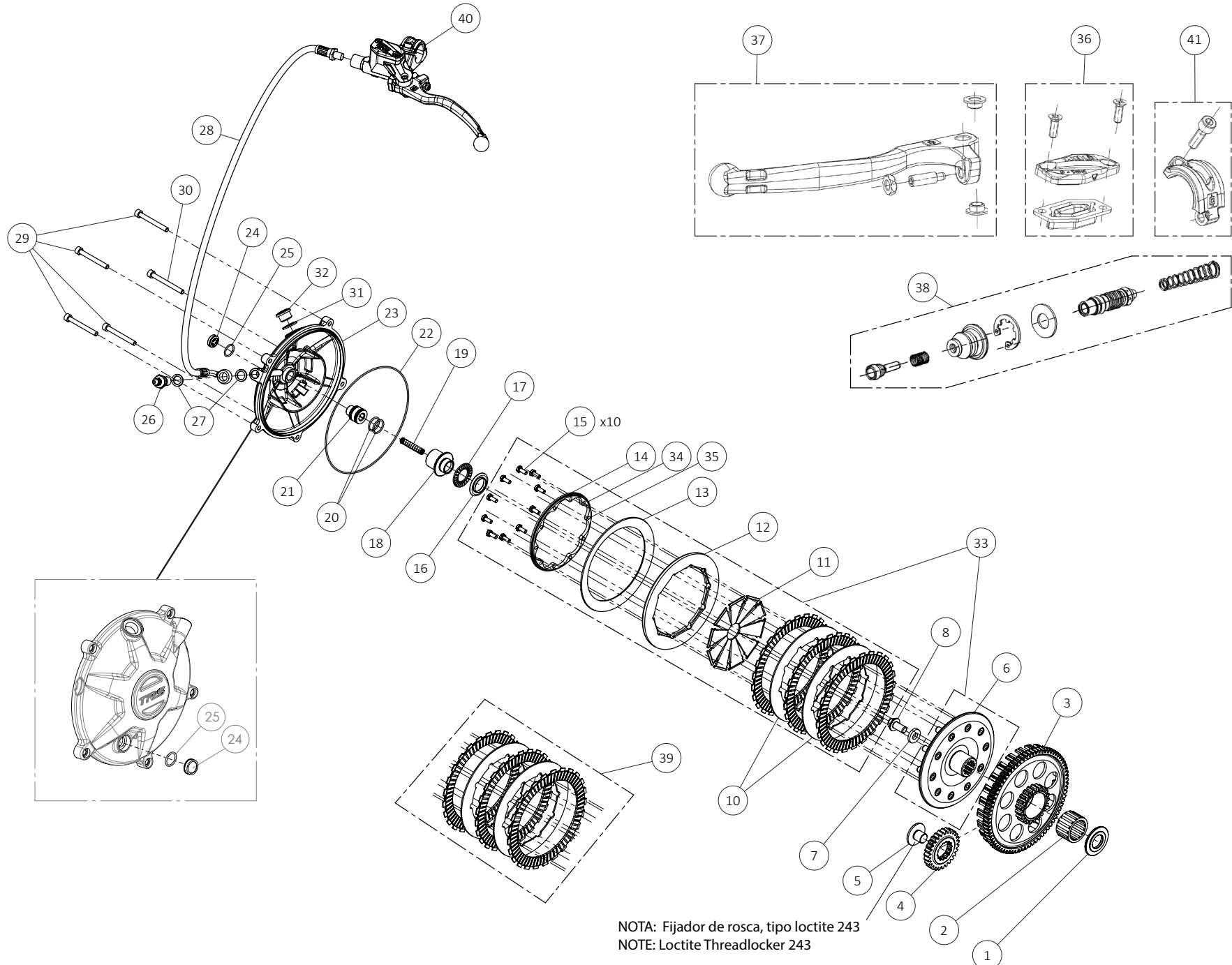


D

C

B

A



NOTA: Fijador de rosca, tipo loctite 243
 NOTE: Loctite Threadlocker 243



05 - CE - Conjunto Embrague / Clutch set
 TRRS Motorcycles



Despiece TRRS ONE RR 2024

.05 - CE - Conjunto Embrague / Clutch set

| Nº | Código | Descripción | Description | Cantidad |
|----|------------|---|---|----------|
| 1 | 05001MT100 | Arandela distanciador embrague | Washer, clutch spacer | 1 |
| 2 | 52505 | Rodamiento Agujas Campana K25x33x20 | Needle bearing, clutch hub K25x33x20 | 1 |
| 3 | 05004MT100 | Campana embrague | Clutch hub | 1 |
| 4 | 05019MT100 | Piñón transmisión primario | Primary gear | 1 |
| 5 | 05020MT100 | Tornillo piñón primario | Bolt, Primary gear | 1 |
| 6 | 05005MT100 | Cubo embrague | Outer clutch hub set | 1 |
| 7 | 05006MT100 | Arandela apriete cubo | Washer, clutch hub retention | 1 |
| 8 | 50904 | Tornillo M8x16 (10.9) | Bolt, M8x16 (10.9) | 1 |
| 10 | 05028MT100 | Disco metálico embrague 1,6mm | Metal disc, clutch 1,6mm | 2 |
| 11 | 05009MT100 | Chapa palanca embrague | Plate, clutch actuation | 10 |
| 12 | 05010MT100 | Prensa embrague | Pressure plate, clutch | 1 |
| 13 | 05011MT100 | Muelle prensa | Spring, clutch (belville) | 1 |
| 14 | 05012MT100 | Soporte muelle embrague (MED) | Clutch spring suport (MED) | 1 |
| 15 | 50502 | Tornillo DIN 933 M4x10 - Fijador Muelle | Bolt, DIN 933 M4x10 - Clutch compression ring | 10 |
| 16 | 05013MT100 | Casquillo rodamiento embrague | Bushing, clutch bearing | 1 |
| 17 | 52506 | Rodamiento agujas axial AXK1103 | Trust needle roller AXK1103 | 1 |
| 18 | 05014MT101 | Bombin embrague | Clutch cylinder | 1 |
| 19 | 05016MT100 | Muelle pistón embrague | Spring, clutch piston | 1 |
| 20 | 53010 | Tórica embrague 15x1,5 NBR - Pistón Interno | O-ring, clutch 15x1.5 NBR - slave piston internal | 2 |
| 21 | 05015MT101 | Piston bombin embrague bajo | Internal piston clutch bajo | 1 |
| 22 | 53011 | Tórica Tapa Embrague 135x1,5 | O-ring, clutch cover 135x1.5 | 1 |
| 23 | 05027MT100 | Tapa embrague con mirilla aceite | Clutch cover with oil window sight | 1 |
| 24 | 70919 | Mirilla nivel aceite | Oil window sight | 1 |
| 25 | 53028 | Torica 11.5x1,5 NBR | O-Ring 11,5x1,5 NBR | 1 |
| 26 | 70901 | Racord M10 Tapa Embrague | Bleeder valve, clutch cover (Banjo) | 1 |
| 27 | 56101 | Arandela Al. 10x14x1,5 | Washer, Al. 10x14x1.5 | 2 |
| 28 | 70902 | Latiguillo embrague | Clutch hose | 1 |
| 29 | 50119 | Tornillo DIN 912 M5x45 - Tapa Embrague | Bolt, DIN 912 M5x45- Clutch cover | 4 |
| 30 | 50123 | Tornillo DIN 912 M5x50 - Tapa Embrague | Bolt, DIN 912 M5x50- Clutch cover | 1 |
| 31 | 56106 | Arandela 14X18X1.5 Copper | Copper Washer, 14x18x1.5 | 1 |



Despiece TRRS ONE RR 2024

.05 - CE - Conjunto Embrague /Clutch set

| Nº | Código | Descripción | Description | Cantidad |
|----|-------------------|-------------------------------------|--|----------|
| 32 | 06018MT101 | Tapón allen aluminio anodizado rojo | <i>Cap, allen aluminium red anodized</i> | 1 |
| 33 | 70907 | Conjunto Embrague Completo | <i>Complete clutch assembly</i> | 1 |
| 34 | 05023MT100 | Soporte muelle embrague (DURO) | <i>Clutch spring support (HARD)</i> | 1 |
| 35 | 05024MT100 | Soporte muelle embrague (BLANDO) | <i>Clutch spring support (SOFT)</i> | 1 |
| 36 | 70910 | Tapa depósito bomba embrague | <i>Cover kit, clutch master cylinder</i> | 1 |
| 37 | 70905 | Maneta Embrague | <i>Clutch lever (handle)</i> | 1 |
| 38 | 70914 | Conjunto piston bomba embrague | <i>Rep. Piston Kit, clutch master cylinder</i> | 1 |
| 39 | 05018MT100 | Conjunto discos embrague | <i>Clutch disc set</i> | 1 |
| 40 | 70917 | Cjto. bomba embrague | <i>Master cylinder clutch kit</i> | 1 |
| 41 | 70918 | Brida bomba anodizado rojo | <i>Clamp, master cylinder red anodized</i> | 1 |

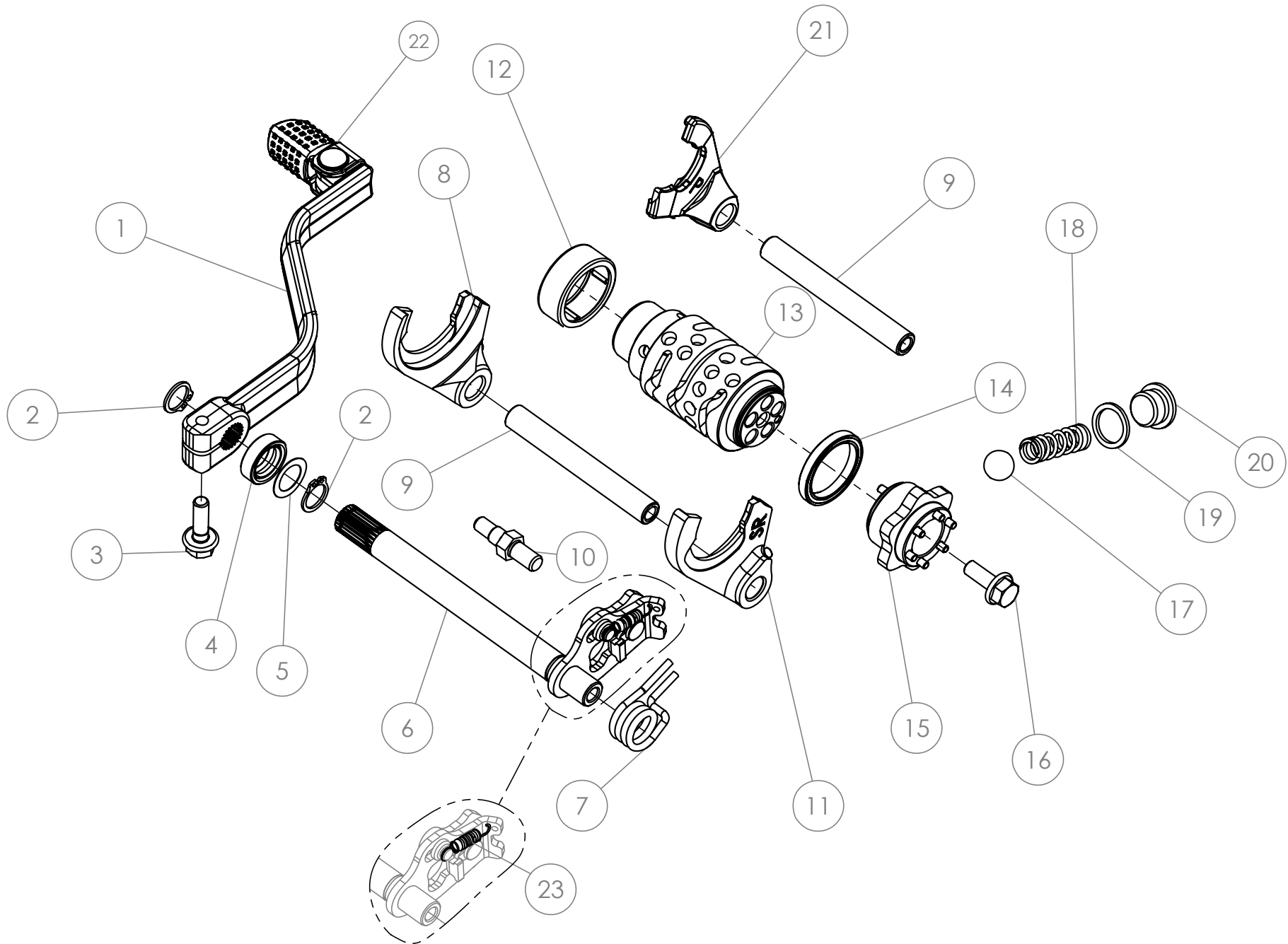


D

C

B

A



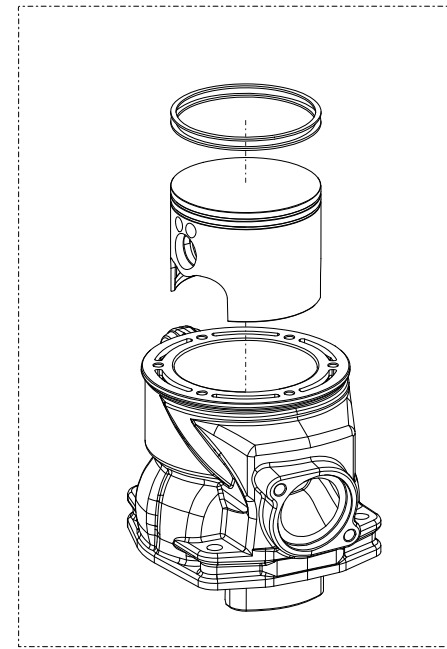
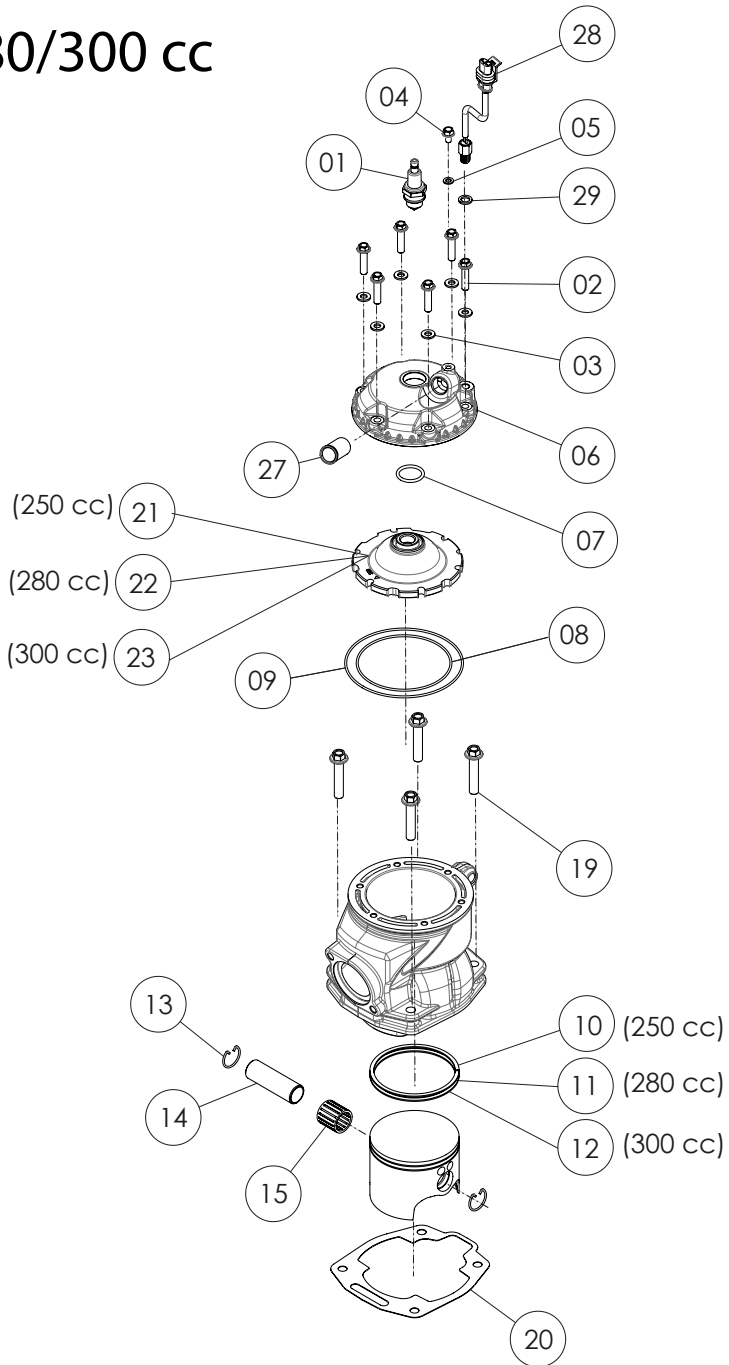
Despiece TRRS ONE RR 2024

.06 - SC - Selector Cambio / Shift set

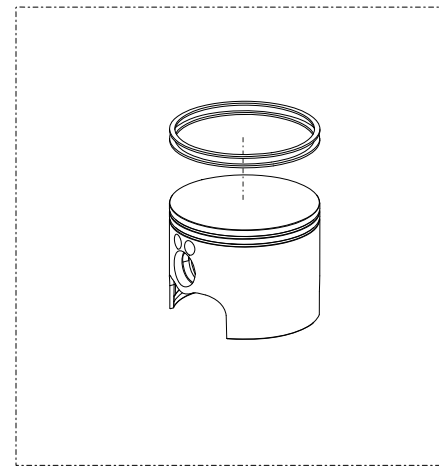
| Nº | Código | Descripción | Description | Cantidad |
|----|------------|---|---|----------|
| 1 | 06001MT102 | Conjunto Palanca Cambio arranque eléctrico | Complete shift pedal electric start | 1 |
| 2 | 55004 | Circlip DIN-471-Ø12 | Circlip DIN-471-Ø12 | 2 |
| 3 | 50909 | Tornillo DIN 6921 M6x20 Hexagonal | Bolt, DIN 6921 M6x20 hex-head | 1 |
| 4 | 54006 | Retén Eje Cambio 12x20x6 | Seal, shift shaft 12x20x6 | 1 |
| 5 | 06002MT100 | Arandela 12x18x0.3 | Washer 12x18x0.3 | 1 |
| 6 | 06027MT100 | Eje selector completo | Shifting shaft set | 1 |
| 7 | 06031MT100 | Muelle eje selector | Spring, shifting shaft | 1 |
| 8 | 06006MT100 | Horquilla secundario Izquierda SL | Fork, secondary left SL | 1 |
| 9 | 06007MT100 | Eje Horquillas | Shaft, shift fork | 2 |
| 10 | 06003MT100 | Tope Recorrido Selector | Stop, shift shaft | 1 |
| 11 | 06008MT100 | Horquilla secundario derecha SR | Fork, secondary right SR | 1 |
| 12 | 52507 | Rodamiento Izquierdo Desmodrómico HK2512 | Bearing, left Shift drum HK2512 | 1 |
| 13 | 06039MT100 | Desmodrómico (Ligero) | Shift roller (Lightweight) | 1 |
| 14 | 52103 | Rodamiento Derecha Desmodromico Bolas 61705-SRS | Bearing, shift drum right - balls 61705-SRS | 1 |
| 15 | 06032MT100 | Conjunto estrella desmo | Gearshift set | 1 |
| 16 | 50903 | Tornillo DIN 6921 M6x16 | Bolt, DIN 6921 M6x16 | 1 |
| 17 | 60003 | Bola Fijador Marchas Kug 11,906 | Ball, gear selector position Kug 11.906 | 1 |
| 18 | 06029MT100 | Muelle Fijador Marchas | Spring, gear selector tension | 1 |
| 19 | 56106 | Arandela 14X18X1.5 Copper | Copper Washer, 14x18x1.5 | 1 |
| 20 | 06018MT100 | Tapón allen aluminio | Cap, allen aluminium | 1 |
| 21 | 06017MT100 | Horquilla primario | Fork, primary | 1 |
| 22 | 70451 | Kit Reparación Palanca Selector | Repair kit, shift pedal tip | 1 |
| 23 | 06030MT100 | Muelle selector marchas | Spring tensioning, shifting plate | 1 |



250/280/300 cc



- (24) (250 cc)
- (25) (280 cc)
- (26) (300 cc)



- (16A) (250 cc)
- (16B) (250 cc)
- (16C) (250 cc)
- (17A) (280 cc)
- (17B) (280 cc)
- (17C) (280 cc)
- (18A) (300 cc)
- (18B) (300 cc)
- (18C) (300 cc)



Despiece TRRS ONE RR 2024

07 - CP - Cilindro y Pistón / Cylinder & Piston (250 - 280 - 300cc) Listado de Piezas

| Nº | Código | Descripción | Description | Cantidad |
|-----|------------|--|--|----------|
| 1 | 70205 | Bujia NGK BPMR6A | Spark plug NGK BPMR6A | 1 |
| 2 | 50911 | Tornillo DIN 6921 M6X25 Culata | Bolt, DIN 6921 M6x25 Cylinder head | 6 |
| 3 | 56105 | Arandela Tornillo Culata 6x12x1.5 Copper | Copper washer, cylinder head bolt 6x12x1.5 | 6 |
| 4 | 50912 | Tornillo Din 6921 M5X8 Sangrador Culata | Bolt, DIN 6921 M5x8 Cylinder head bleeder | 1 |
| 5 | 56103 | Arandela Tornillo Sangrador Culata Tubo 5x9x1 Copper | Copper washer, cylinder head bleeder 5x9x1 | 1 |
| 6 | 07001MT102 | Tapa culata con sensor temperatura (roja) | Cylinder head top cap with T. Sensor (red) | 1 |
| 7 | 53012 | Tórica Culatín Vitón 20x2,5 | O-ring, Viton 20x2.5 | 1 |
| 8 | 53013 | Tórica Culata Interior Vitón 81,2x1,78 | O-ring, Viton 81,2x1.78 | 1 |
| 9 | 53014 | Tórica Culata Exterior Vitón 101,6x1,78 | O-ring, Viton 101,6x1.78 | 1 |
| 10 | 70460 | Juego Segmentos 250 | Piston ring set, 250 | 1 |
| 11 | 70461 | Juego Segmentos 280 | Piston ring set, 280 | 1 |
| 12 | 70462 | Juego Segmentos 300 | Piston ring set, 300 | 1 |
| 13 | 55005 | Circlip Bulón | Clip, piston pin | 2 |
| 14 | 70463 | Bulón Piston | Piston pin | 1 |
| 15 | 52508 | Cojinete de agujas superior biela | Top rod cage bearing | 1 |
| 16A | 70465 | Conjunto Pistón A (250) | Piston, size A complete (250) | 1 |
| 16B | 70466 | Conjunto Pistón B (250) | Piston, size B complete (250) | 1 |
| 16C | 70467 | Conjunto Pistón C (250) | Piston, size C complete (250) | 1 |
| 17A | 70477 | Conjunto Pistón A (280) | Piston, size A complete (280) | 1 |
| 17B | 70478 | Conjunto Pistón B (280) | Piston, size B complete (280) | 1 |
| 17C | 70479 | Conjunto Pistón C (280) | Piston, size C complete (280) | 1 |
| 18A | 70480 | Conjunto Pistón A (300) | Piston, size A complete (300) | 1 |
| 18B | 70481 | Conjunto Pistón B (300) | Piston, size B complete (300) | 1 |
| 18C | 70482 | Conjunto Pistón C (300) | Piston, size C complete (300) | 1 |
| 19 | 50917 | Tornillo hexagonal con arandela M8x35 | Bolt hexagonal with wahser M8x35 | 4 |
| 20 | 07002MT100 | Junta Cilindro 0,5 | Cylinder base gasket 0.5 | 1 |
| 21 | 07003MT100 | Culatín Interno (250) | Interior cylinder head (250) | 1 |
| 22 | 07004MT100 | Culatín Interno (280) | Interior cylinder head (280) | 1 |
| 23 | 07005MT100 | Culatín Interno (300) | Interior cylinder head (300) | 1 |



Despiece TRRS ONE RR 2024

.07 - CP - Cilindro y Pistón / Cylinder & Piston (250 - 280 - 300cc) -Listado de Piezas

| Nº | Código | Descripción | Description | Cantidad |
|----|-------------------|----------------------------------|---|----------|
| 24 | 07006MT100 | Conjunto Cilindro Y Pistón (250) | <i>Complete cylinder and piston (250)</i> | 1 |
| 25 | 07007MT100 | Conjunto Cilindro Y Pistón (280) | <i>Complete cylinder and piston (280)</i> | 1 |
| 26 | 07008MT100 | Conjunto Cilindro Y Pistón (300) | <i>Complete cylinder and piston (300)</i> | 1 |
| 27 | 02006MT100 | Casquillo Manguito Agua | <i>Bushing, water rubber hose</i> | 1 |
| 28 | 70254 | Sensor temperatura | <i>Water temperature sensor</i> | 1 |
| 29 | 56102 | Arandela cobre 8x12x1,5 | <i>Copper washer, 8x12x1.5</i> | 1 |

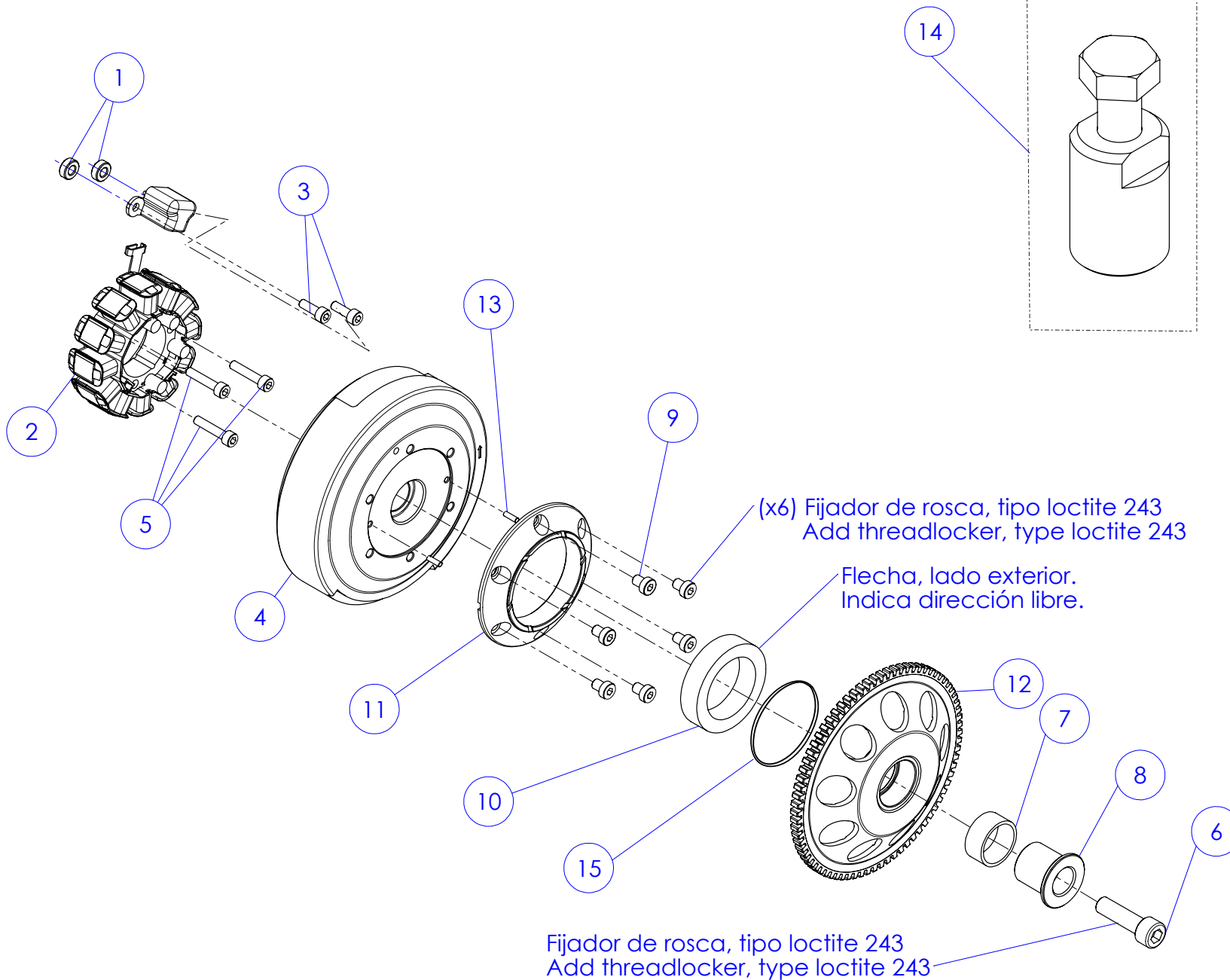


D

C

B

A



Despiece TRRS ONE RR 2024

.08 - CE - Encendido / Ignition (250-280-300cc)

| Nº | Código | Descripción | Description | Cantidad |
|----|-------------------|--|--|----------|
| 1 | 10010MT100 | Casquillo distanciador pick-up | <i>Spacer bushing pick-up</i> | 2 |
| 2 | 70225 | Estator + Pick-up | <i>Stator and pickup</i> | 1 |
| 3 | 50111 | Tornillo allen M5x15 | <i>Bolt, allen M5x15</i> | 2 |
| 4 | 70241 | Volante magnetico arranque electrico | <i>Flywheel ignition electric starter</i> | 1 |
| 5 | 50121 | Tornillo allen M5X25 | <i>Bolt, allen M5x25</i> | 3 |
| 6 | 50125 | Tornillo allen M10x35-1.25 | <i>Screw allen M10x35-1.25</i> | 1 |
| 7 | 52516 | Rodamiento agujas K25x29x13 | <i>Needle bearing K25x29x13</i> | 1 |
| 8 | 08009MT100 | Eje rodamiento arranque electrico | <i>Shaft bearing electric starter</i> | 1 |
| 9 | 50A01 | Tornillo M6x8 Allen cabeza baja | <i>Bolt M6x8 Allen hexagon socket head cap</i> | 6 |
| 10 | 52901 | Rodamiento rueda libre | <i>Bearing free wheel</i> | 1 |
| 11 | 10014MT100 | Soporte rodamiento una direccion | <i>One way bearing support</i> | 1 |
| 12 | 10006MT100 | Corona arranque electrico | <i>Hub electric starter</i> | 1 |
| 13 | 61001 | Aguja Ø3X9.8 | <i>Needle, shift drum Ø3X9.8</i> | 2 |
| 14 | 08010MT100 | Extractor volante magnético M27 | <i>Removal tool M27, magneto flywheel</i> | 1 |
| 15 | 52902 | Muelle rodamiento rueda libre (solo recambios) | <i>Spring one way bearing (only spare parts)</i> | 1 |



5

4

3

2

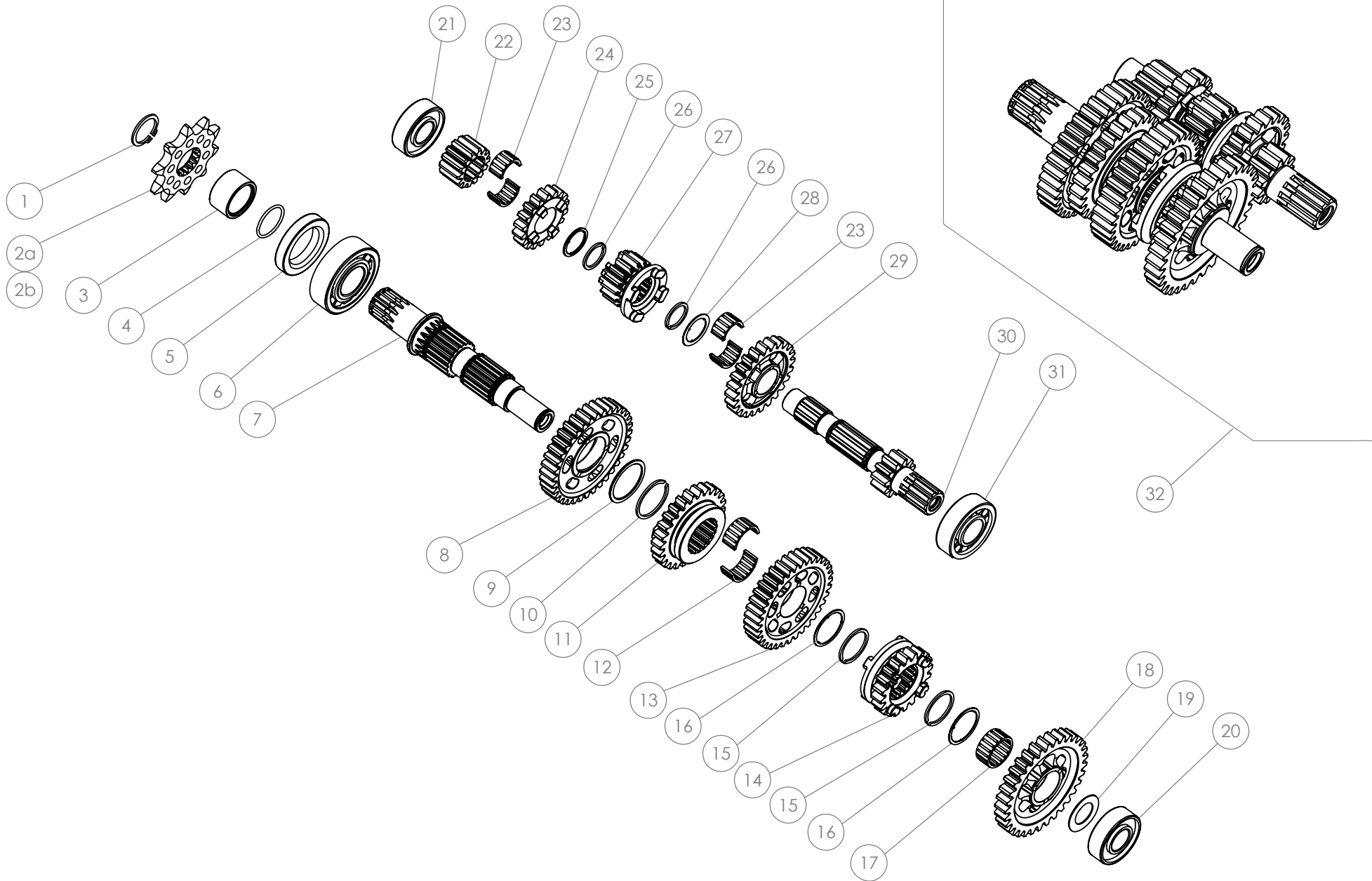
1

D

C

B

A



Despiece TRRS ONE RR 2024

09 - CM - Cambio / Gear Box

| Nº | Código | Descripción | Description | Cantidad |
|----|------------|--|--|----------|
| 01 | 55012 | Circlip DIN-471 Ø19 | Circlip DIN-471 Ø19 | 1 |
| 2a | 09020MT100 | Piñon salida 10Z (250-280-300cc) | Sprocket 10Z (250-280-300cc) | 1 |
| 2b | 09026MT100 | Piñon salida 11Z (solo recambios) | Sprocket 11Z (only spare parts) | 1 |
| 03 | 09021MT100 | Casquillo piñon salida | Bushing, sprocket | 1 |
| 04 | 53017 | Junta tórica Casquillo Piñon Salida 20X1,5 | O-ring, Bushing sprocket, 20X1,5 | 1 |
| 05 | 54010 | Retén Piñon Salida Doble Labio Ø26Ø40L7 | Double Lip Seal Ø26Ø40 L7 | 1 |
| 06 | 52111 | Rodamiento de bolas 6204-C | Bearing 6204-C | 1 |
| 07 | 09019MT100 | Eje Secundario | Countershaft | 1 |
| 08 | 09004MT100 | Piñón 2ª Secundario | Gear, 2nd, secondary | 1 |
| 09 | 09005MT100 | Arandela 30x25,1x1 Piñón 2ª Secundario | Washer, 30x25,1x1 Secondary 2nd gear | 1 |
| 10 | 55009 | Circlip SW 25x1.2 | Circlip, SW 25x1.2 | 1 |
| 11 | 09006MT100 | Piñón 4ª Secundario | Gear, 4th Secondary | 1 |
| 12 | 52509 | Rodamiento Agujas Partido K18x22x10D | Needle bearing, two-piece K18x22x10D | 1 |
| 13 | 09008MT100 | Piñón 3ª Secundario | Gear, 3rd Secondary | 1 |
| 14 | 09009MT100 | Piñón 5ª Secundario | Gear, 5th Secondary | 1 |
| 15 | 55007 | Circlip SW 22x1.2 | Circlip, SW 22x1.2 | 2 |
| 16 | 09007MT100 | Arandela 26x22x0,5 Piñón 3ª Secundario Dentada | Toothed washer, 26x22x0,5, 3rd gear, Secondary | 2 |
| 17 | 52510 | Rodamiento Agujas K18x22x10 | Needle bearing, K18x22x10 | 1 |
| 18 | 09010MT100 | Piñón 1ª Secundario | Gear, 1st Secondary | 1 |
| 19 | 09024MT100 | Arandela 15,1x25,5x0,8 | Washer 15,1x25,5x0,8 | 1 |
| 20 | 52017 | Rodamiento eje secundario derecho (15x35x11) | Bearing right secondary shaft (15x35x11) | 1 |
| 21 | 52201 | Rodamiento Primario Izquierdo 7202-B-Tvp | Bearing, Primary left 7202-B-TVP | 1 |
| 22 | 09012MT100 | Piñón 2ª Primario | Gear, 2nd Primary | 1 |
| 23 | 52511 | Rodamiento Agujas Partido K14x18x10D | Needle bearing, two-piece K14x18x10D | 2 |
| 24 | 09013MT100 | Piñón 4ª Primario | Gear, 4th Primary | 1 |
| 25 | 09014MT100 | Arandela 20x16,65x1 Primario Dentada | Toothed washer, 20x16,65x1 Primary | 1 |
| 26 | 55008 | SW 16 Circlip 16X1.2 | Circlip, SW 16 - 16x1.2 | 2 |
| 27 | 09015MT100 | Piñón 3ª Primario | Gear, 3rd Primary | 1 |
| 28 | 09016MT100 | Arandela 22,5X16,65X0,5 Dentada | Toothed washer, 22.5x16.65x0.5 | 1 |

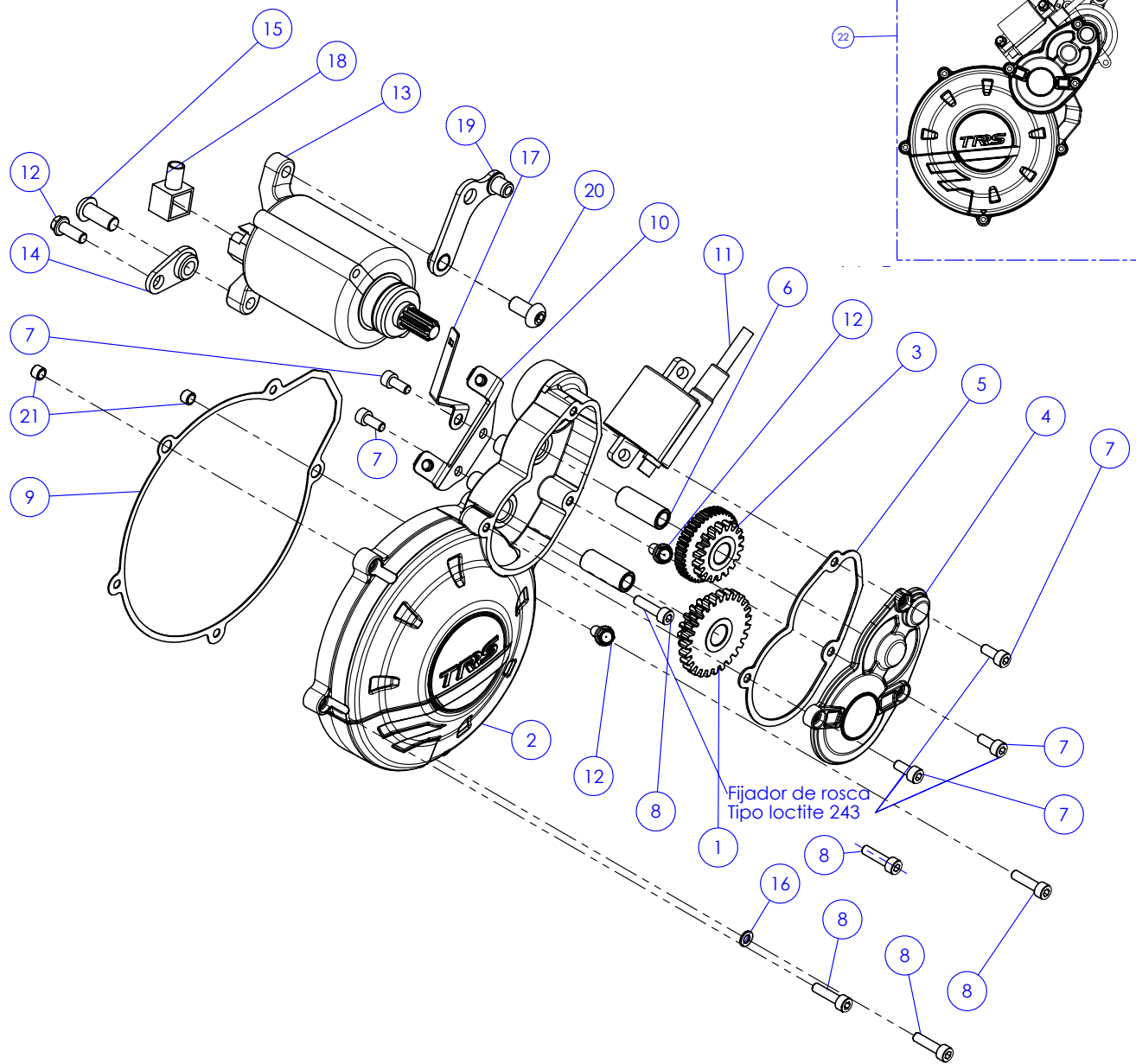
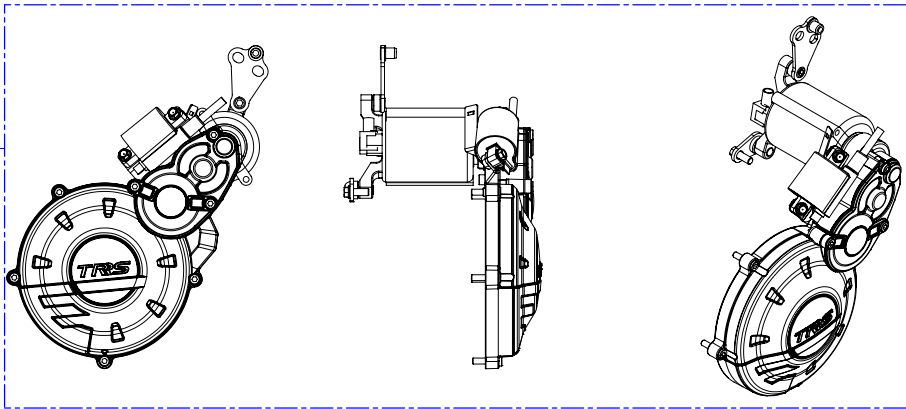


Despiece TRRS ONE RR 2024

.09 - CM - Cambio / Gear Box

| Nº | Código | Descripción | Description | Cantidad |
|----|------------|--|--|----------|
| 29 | 09017MT100 | Piñón 5ª Primario | <i>Gear, 5th Primary</i> | 1 |
| 30 | 09018MT100 | Eje Primario | <i>Primary shaft</i> | 1 |
| 31 | 52301 | Rodamiento Primario Derecho Nj203-E-Tvp2 | <i>Bearing, Primary right NJ203-E-TVP2</i> | 1 |
| 32 | 09025MT100 | Conjunto Piñones y Ejes Cambio | <i>Kit, Gears and Shafts (Gearbox)</i> | 1 |





Fijador de rosca
Tipo loctite 243



10 - AE - Arranque eléctrico / Electric Start (250-280-300cc)
TRRS Motorcycles



Despiece TRRS ONE RR 2024

.10 - AE - Arranque Electrico / Electric Start (250-280-300cc)

| Nº | Código | Descripción | Description | Cantidad |
|----|------------|---|---|----------|
| 1 | 10005MT100 | Piñones arranque electrico secundario | Second gear set electric starter | 1 |
| 2 | 10001MT100 | Tapa arranque eléctrico | Cover electric starter | 1 |
| 3 | 10004MT100 | Piñones arranque electrico primario | First gear set electric starter | 1 |
| 4 | 10002MT100 | Tapa registro arranque electrico | Gear cover electric starter | 1 |
| 5 | 10007MT100 | Junta tapa registro | Gasket gear cover electric starter | 1 |
| 6 | 10008MT100 | Eje engranaje | Shaft gear | 2 |
| 7 | 50124 | Tornillo allen M5x12 | Screw allen M5x12 | 5 |
| 8 | 50112 | Tornillo allen M5x20 | Bolt allen M5x20 | 5 |
| 9 | 08003MT100 | Junta tapa encendido | Gasket, Ignition cover | 1 |
| 10 | 10009MT100 | Soporte bobina arranque electrico | Support ignition coil electric starter | 1 |
| 11 | 70203 | Bobina | Ignition coil | 1 |
| 12 | 50903 | Tornillo hexagonal con valona M6x16 | Bolt hexagonal with washer M6x16 | 3 |
| 13 | 70257 | Motor arranque electrico 12V | Starter motor 12V | 1 |
| 14 | 10011MT100 | Soporte inferior motor de arranque | Lower bracket starter engine | 1 |
| 15 | 50201 | Tornillo allen alomado M8x20 | Bolt allen M8x20 | 1 |
| 16 | 56103 | Arandela Cooper Tapa Bomba 5x9x1 | Copper washer, water-pump cover 5x9x1 | 1 |
| 17 | 01040TR100 | Soporte conector encendido arranque electrico | Ignition connector support electric start | 1 |
| 18 | 70252 | Capuchon cable bateria | Battery wire protector | 1 |
| 19 | 10015MT100 | Tirante motor de arranque | Bracket starter motor | 1 |
| 20 | 50216 | Tornillo allen alomado M8x16 | Bolt allen M8x16 | 1 |
| 21 | 57005 | Casquillo 5x7x5 | Bushing 5x7x5 | 2 |
| 22 | 10000MT103 | Conjunto arranque eléctrico II | Electric starter set II | 1 |

